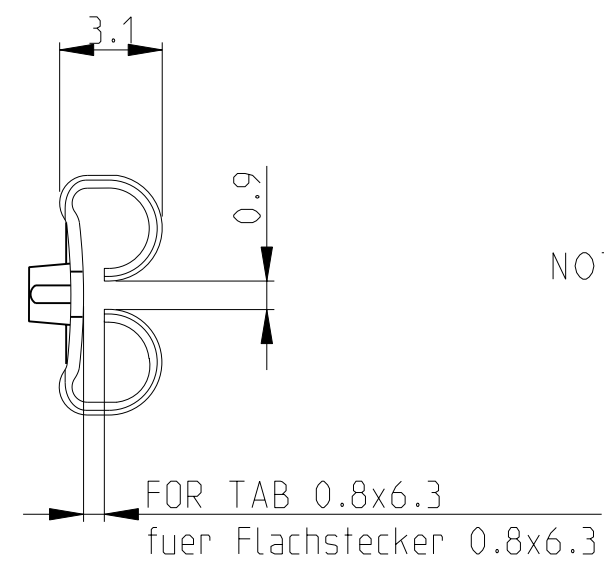
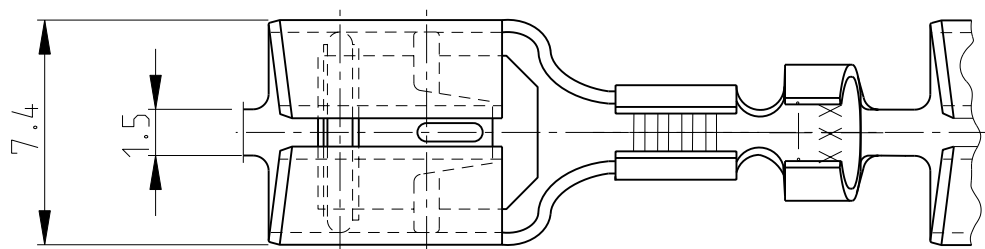
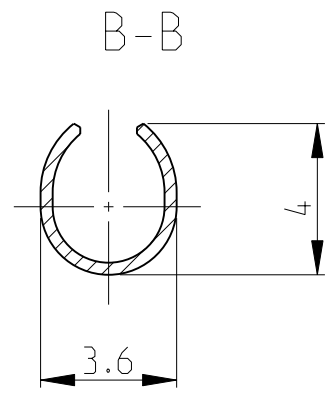
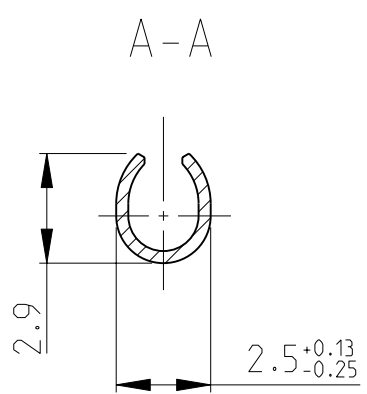
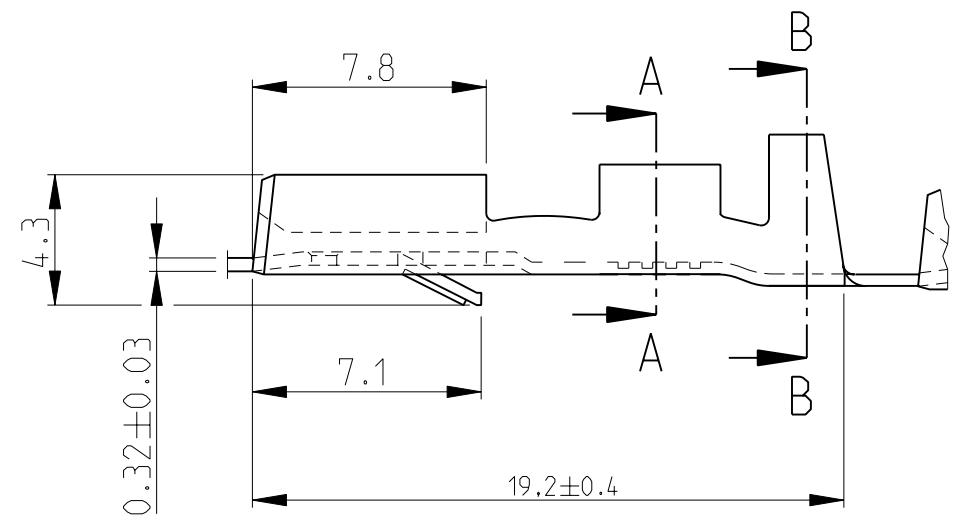


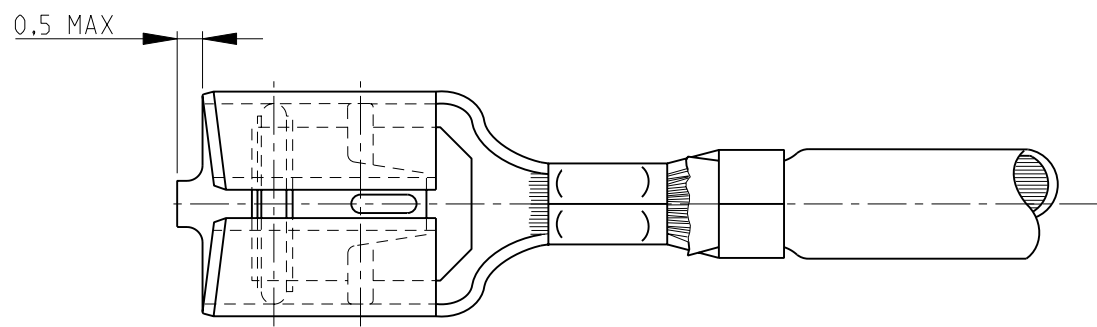
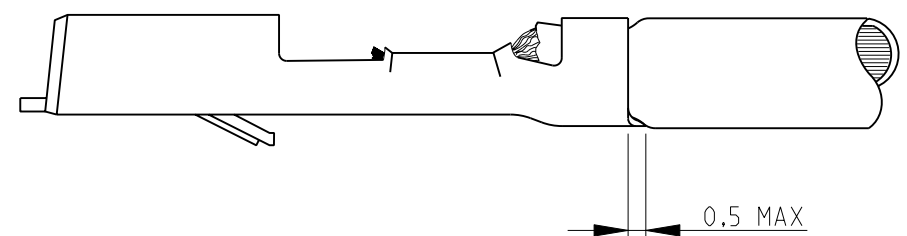
THIS DRAWING IS UNPUBLISHED. RELEASED FOR PUBLICATION 2008  
 © COPYRIGHT 2008 BY TYCO ELECTRONICS CORPORATION. ALL RIGHTS RESERVED.

| LOC |     | DIST                      |           | REVISIONS |      |  |  |
|-----|-----|---------------------------|-----------|-----------|------|--|--|
| P   | LTR | DESCRIPTION               | DATE      | DWN       | APVD |  |  |
| A1  | -   |                           |           |           |      |  |  |
|     | AN  | NEW CAD DRAWING CREATED   | 07JUL2008 | Abr       | Goep |  |  |
|     | AN1 | REVISED PER ECO-10-000030 | 04JAN10   | KK        | AEG  |  |  |



SPECIAL PREFORMING  
 FOR HAND TOOL 825514  
 Spezial Vorformung  
 fuer Handzange 825514

NOTE:  
 1 OBSOLETE PARTS: OBSOLETE CIS STREAMLINING PER D.RENAUD/D.SINISI



| WIRE CRIMP | INSULATION CRIMP | STRIP NO.  | FINISH       | MATERIAL   | LP NO.    | REV. |
|------------|------------------|------------|--------------|------------|-----------|------|
| .090 F     | .130 F           | 6-160526-0 | SILVERPLATED | CuSn4 F56  | 925603-5  |      |
|            |                  | 160526-4   | TINPLATED    | CuSn4 F56  | 925603-4  |      |
|            |                  | 5-160526-8 | PLAIN        | CuSn4 F56  | △925603-3 |      |
|            |                  | 5-160526-7 | TINPLATED    | CuZn30 F53 | 925603-2  |      |
|            |                  | 5-160526-6 | PLAIN        | CuZn30 F53 | 925603-1  |      |

FOR CURRENT REV SEE STRIP DRW aktuelle Rev.siehe Streifenzeichnung

THIS DRAWING IS A CONTROLLED DOCUMENT FOR TYCO ELECTRONICS CORPORATION IT IS SUBJECT TO CHANGE AND THE CONTROLLING ENGINEERING ORGANIZATION SHOULD BE CONTACTED FOR THE LATEST REVISION.

|                  |   |  |   |
|------------------|---|--|---|
| DIMENSIONS: mm   | TOLERANCES UNLESS OTHERWISE SPECIFIED:<br>0 PLC ±<br>1 PLC ± ±0.25<br>2 PLC ± ±<br>3 PLC ± ±<br>4 PLC ± ±<br>ANGLES ±1.5° | DWN Abraham.G. 07JUL2008<br>CHK Goepfel.C. 07JUL2008<br>APVD Bleicher.M. 08JUL2008 | Tyco Electronics<br>Tyco Electronics AMP GmbH<br>64625 Bensheim (Germany) |
| MATERIAL -       | FINISH -  | PRODUCT SPEC -<br>APPLICATION SPEC -<br>WEIGHT -                                   | NAME FASTIN-ON REC. .250 SERIES<br>Fastin -on Flachsteckhuelse Ser. 6.3   |
| CUSTOMER DRAWING |   | SIZE A3  | CAGE CODE 00779   |
|                  |   | DRAWING NO. C-925603   | RESTRICTED TO -   |
|                  |   | SCALE -  | SHEET 1 OF 1  |
|                  |   |  | REV AN1   |