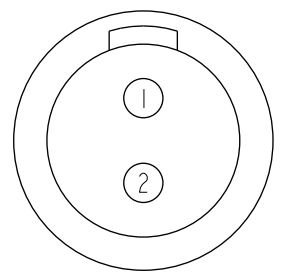
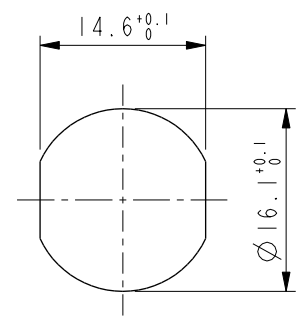
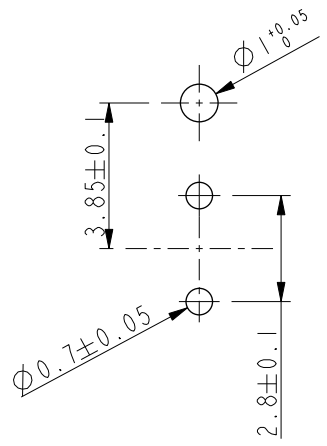
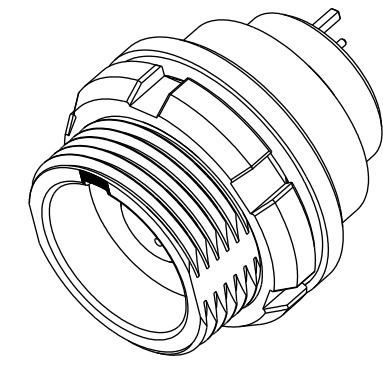
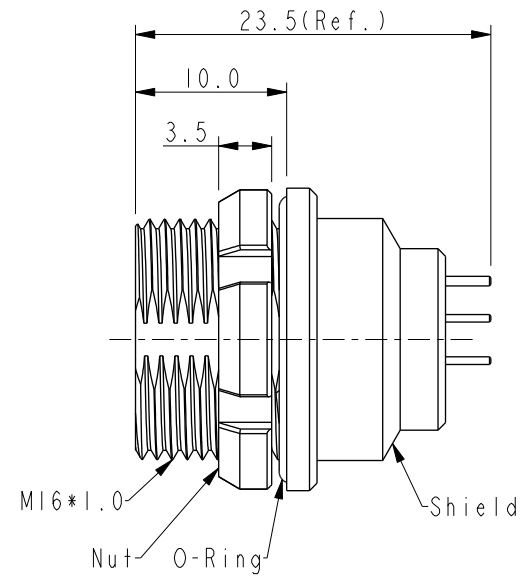
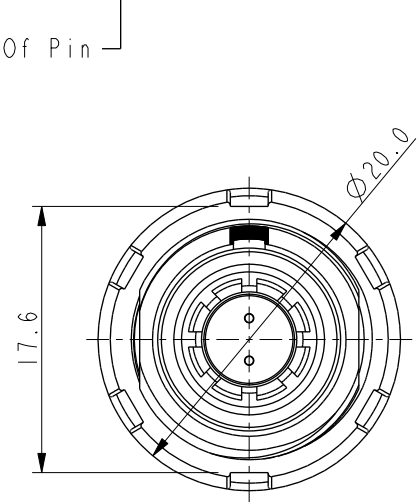


THIS DOCUMENT IS SUBJECT TO CHANGE WITHOUT NOTICE. IT IS CONFIDENTIAL AND A PROPERTY OF AMPHENOL LTW. DISCLOSURE TO THIRD PARTY HAS TO BE AUTHORIZED BY AMPHENOL LTW.

REV.	ECN NO.	DATE	SIGN	DESCRIPTION
A		2022-03-18	Allen Pan	Rev.02 To Rev.A
B	C220586	2022-04-11	Allen Pan	△B x2

△B SLKC-XXEFP-GCP-001
XX: No. Of Pin



Note:
 * RoHS Compliant
 * Ⓞ Important Dimension
 * Waterproof Rate: IPX8, Unmated 1m/24h
 * Connector
 Housing: Thermoplastic, Black
 Pin: Copper Alloy, Gold Plated
 O-Ring: Rubber, Dark Gray
 * Shield: Metal
 * Nut: Metal
 * O-Ring: Rubber, Red
 * For Panel Thickness Max 5.0mm
 * O-Ring and nut are assembled on connectors

PCB Layout

Recommended Panel Cut-out

Pin Assignment Front View

UNIT: mm		
TOLERANCE	.X ±0.25	
.XX	±0.1	
.XXX	±0.05	
ANGLES	±1°	

TITLE FLOS PLUS C SIZE SPE PANEL 2PIN			
SCALE 2:1	SIZE A4	SHEET 1 OF 1	
REV. B	WC-REV. A.1	Ⓞ: Inspection item	

Amphenol LTW
安費諾亮泰企業股份有限公司

ITEM NO.	DRAWN BY Allen Pan	DATE 2022-03-18
DWG NO. SLKC-XXEFP-GCP-001	CHECKED BY Sam Ho	DATE 2022-03-18
CUSTOMER ALTW	APPROVED BY Fred Lee	DATE 2022-03-18