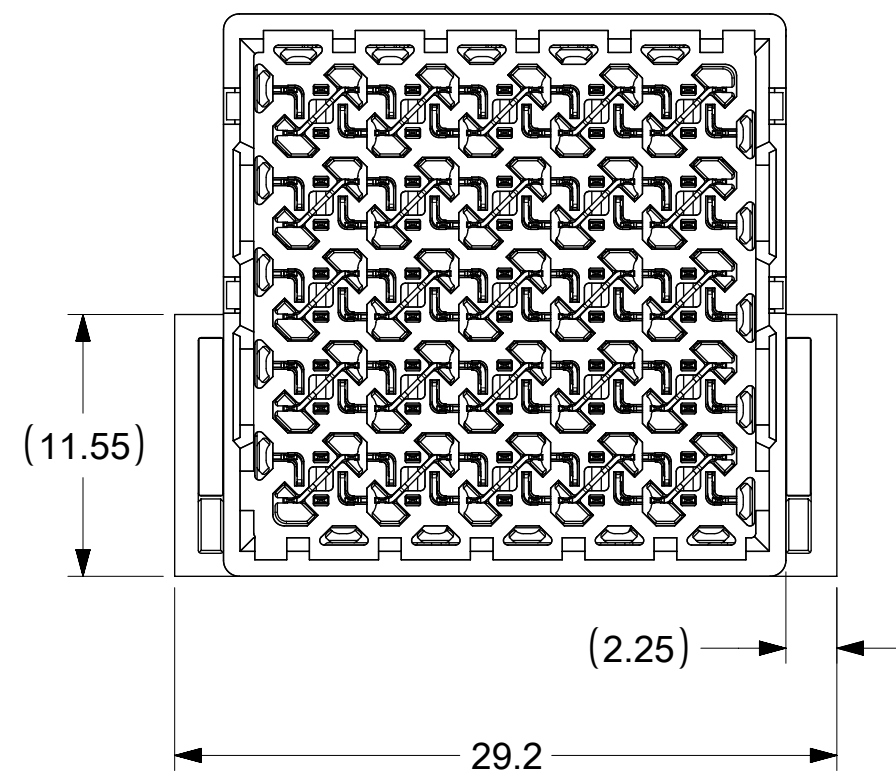
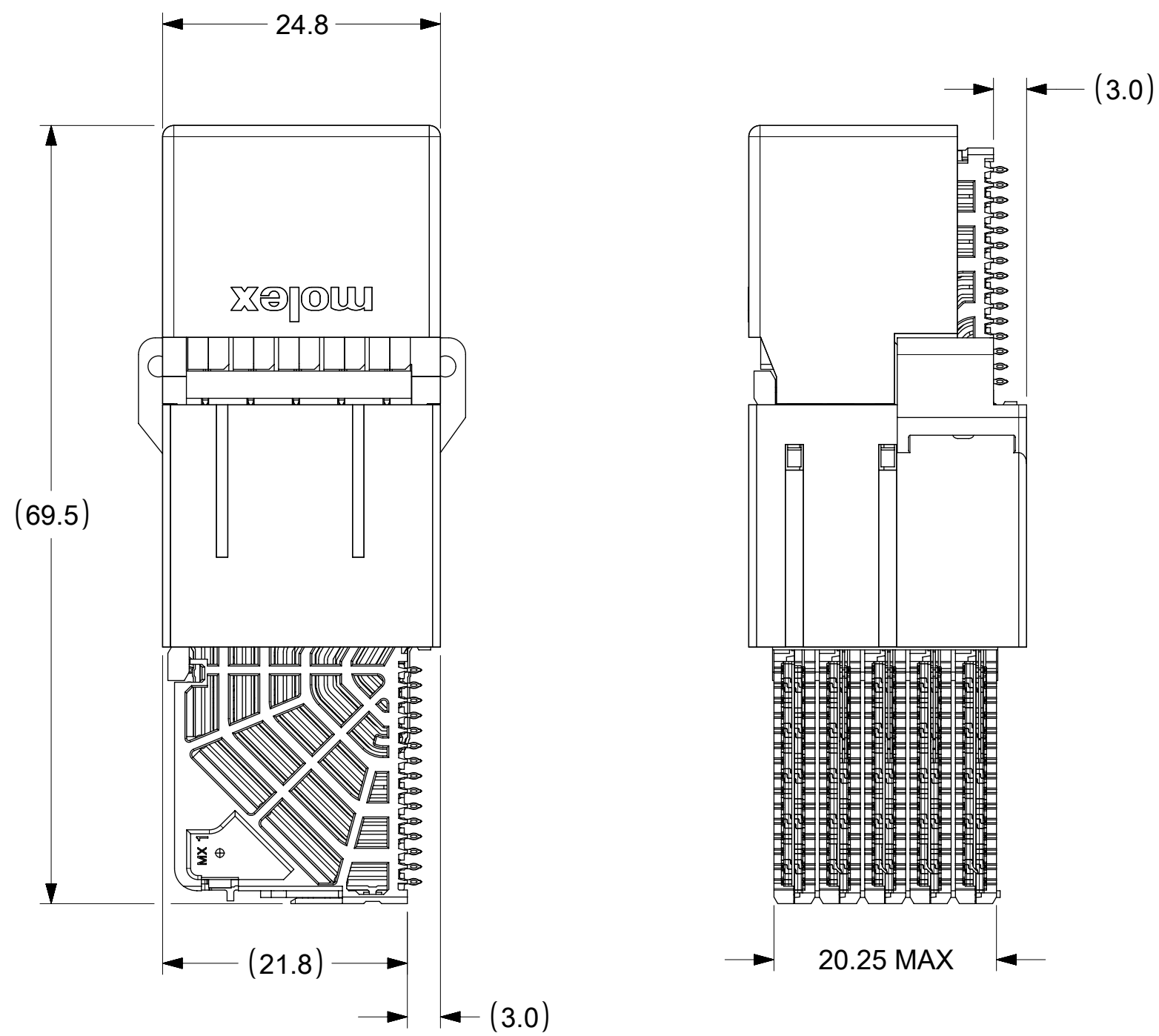


OD-RAM HOLE PATTERN  
(CONNECTOR SIDE)



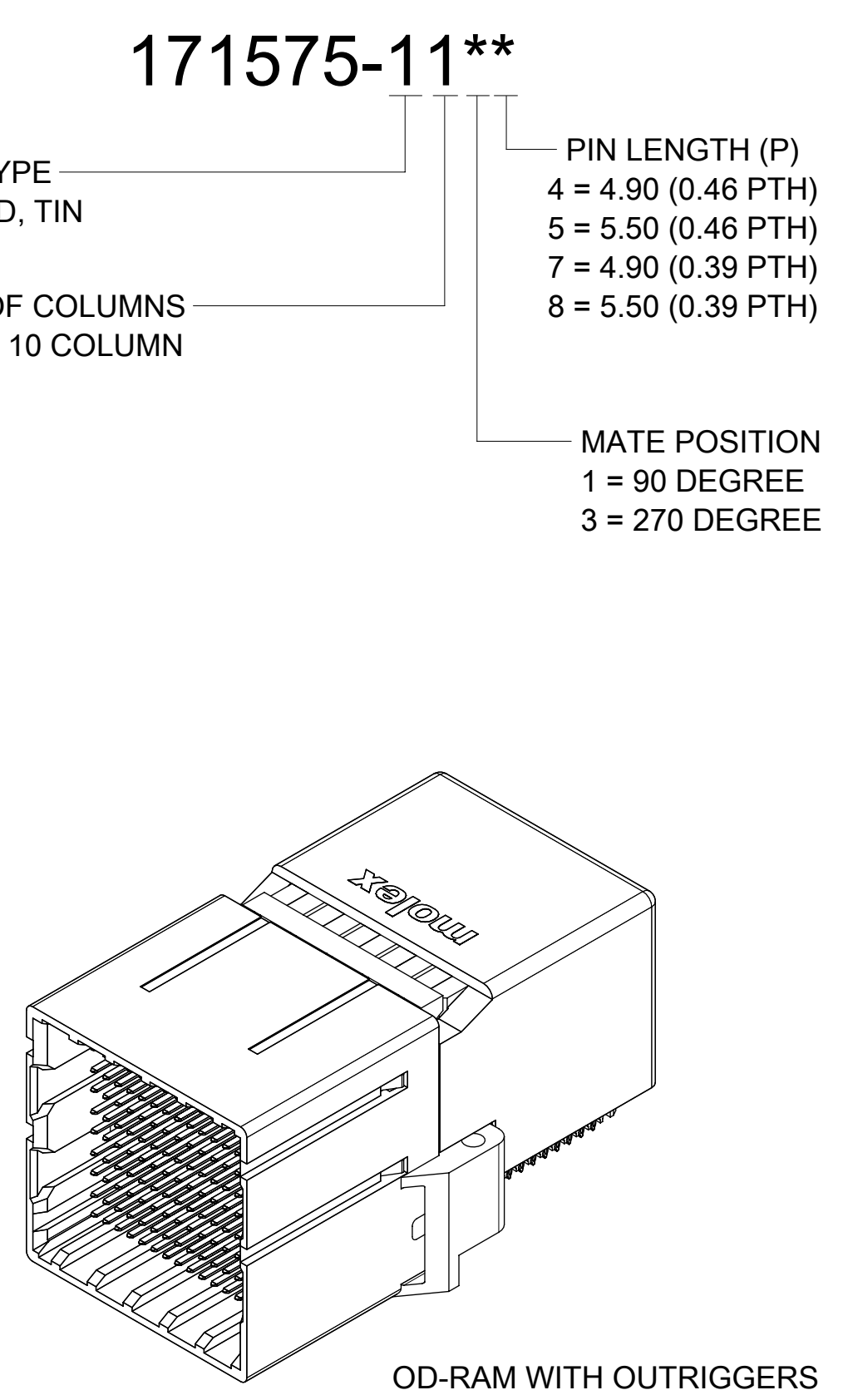
THIS DRAWING CONTAINS INFORMATION THAT IS PROPRIETARY TO MOLEX ELECTRONIC TECHNOLOGIES, LLC AND SHOULD NOT BE USED WITHOUT WRITTEN PERMISSION											
DIMENSION UNITS		SCALE		CURRENT REV DESC: MIGRATED TO NX							
MM		NTS		<p>IMPACT ORTHOGONAL DIRECT 5 PAIR RAM 90 &amp; 270 ASSY UNGUIDED SALES DRAWING</p> <p>PRODUCT CUSTOMER DRAWING</p>							
GENERAL TOLERANCES (UNLESS SPECIFIED)											
ANGULAR TOL		± 0.5°									
4 PLACES		±									
3 PLACES		±									
2 PLACES		± 0.13									
1 PLACE		± 0.25		EC NO: 705090 DRWN: TMARRI CHK'D: VINODM3 APPR: LZENG 2018/09/18 2022/02/17 2022/05/13				DOCUMENT NUMBER <b>SD-171575-0001</b> DOC TYPE PSD DOC PART 001 REVISION <b>B3</b>			
0 PLACES		±		INITIAL REVISION: DRWN: JMENDOZA APPR: TELO 2012/04/13 2013/12/26				MATERIAL NUMBER SEE CHART CUSTOMER GENERAL MARKET SHEET NUMBER 1 OF 4			
DRAFT WHERE APPLICABLE MUST REMAIN WITHIN DIMENSIONS				THIRD ANGLE PROJECTION		DRAWING		SERIES		C-SIZE 171575	

DOCUMENT STATUS	P1	RELEASE DATE	2022/05/13	03:05:12
-----------------	----	--------------	------------	----------



**MATED DIMENSIONS**  
(POSITION 90° SHOWN)

- NOTES:
- MATERIALS: HOUSING - LIQUID CRYSTAL POLYMER (LCP)  
GLASS-FILLED, UL94V-0  
TERMINALS - HIGH PERFORMANCE COPPER ALLOY
  - FINISH: 30μ MIN GOLD IN CONTACT AREA.  
SELECTIVE TIN ON PCB TAILS.  
NICKEL OVERALL.
  - REFER TO MOLEX PRODUCT SPECIFICATION PS-76060-999 FOR PERFORMANCE SPECIFICATIONS AND ADDITIONAL PCB INFORMATION.
  - THIS PART CONFORMS TO CLASS B REQUIREMENTS OF COSMETIC SPEC PS-45499-002.
  - PACKAGE PER: PK-70873-8022.
  - SEE SHEET 3 AND 4 FOR ORTHOGONAL PIN MAPPING.
  - REFER TO MOLEX SALES DRAWING SD-76990-001 FOR THE MATING RECEPTACLES.
  - REFER TO MOLEX ROUTING GUIDE AS-76850-990 FOR ADDITIONAL PCB LAYOUT AND ROUTING RECOMMENDATIONS.
  - CONNECTORS ARE SUPPLIED WITH TWO 2-32 SCREWS P/N 73726-0000. (9.50mm±0.38 THREADABLE SCREW LENGTH). THE MAXIMUM BOARD THICKNESS IS 4.4mm.
  - THESE DIMENSIONS REPRESENT THE AREA NEEDED TO ACCOMODATE CONNECTOR INSERTION AND REPAIR ON THE PC BOARD. THIS IS REFERRED TO AS THE "CONNECTOR KEEP OUT ZONE" AND DOES NOT REPRESENT THE ACTUAL PERIMETER OF THE CONNECTOR.
  - MARKING: LOCATED APPROXIMATELY AS SHOWN, ON THE BOTTOM OR TOP OF HOUSING. PART NUMBER AND DATE CODE.

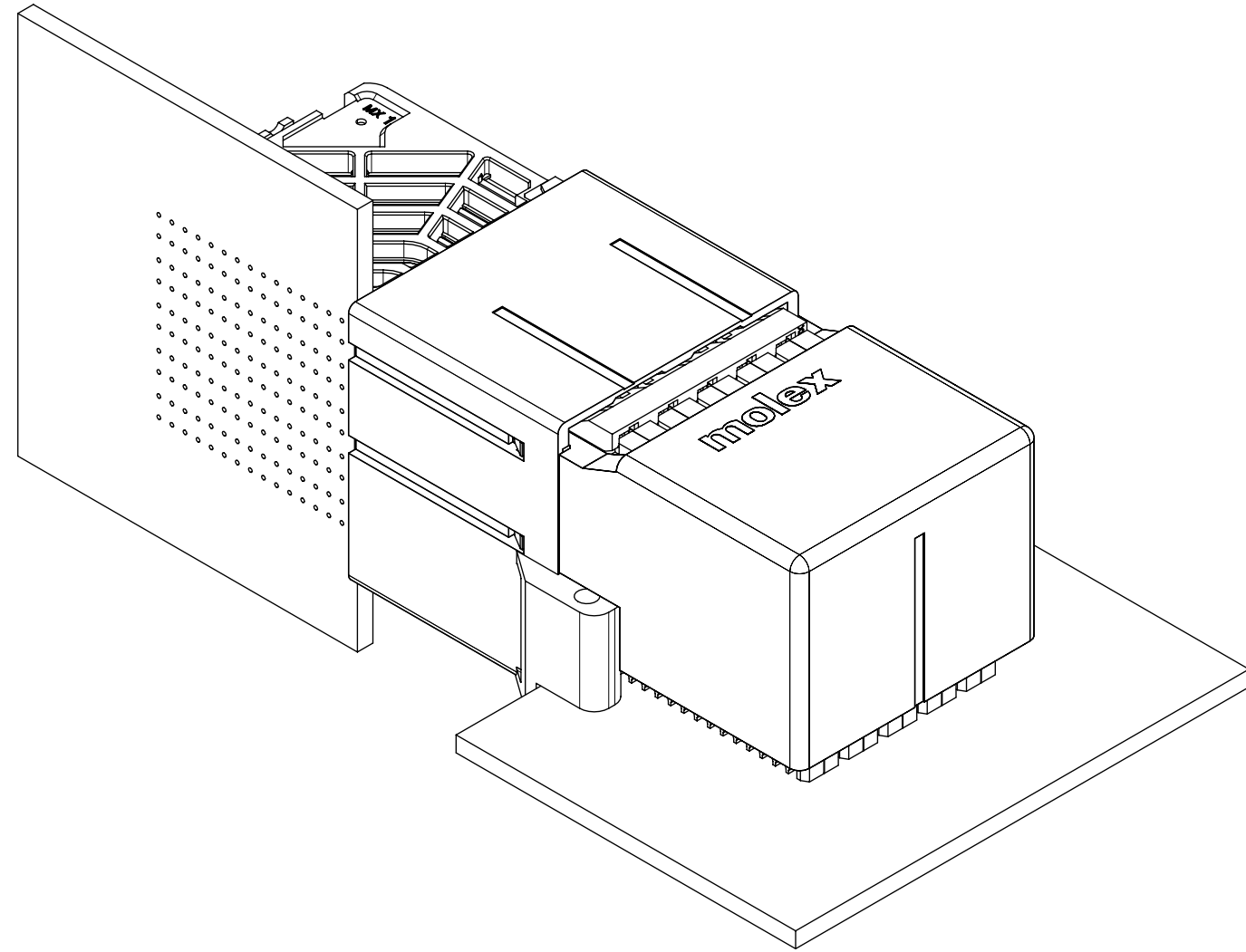


THIS DRAWING CONTAINS INFORMATION THAT IS PROPRIETARY TO MOLEX ELECTRONIC TECHNOLOGIES, LLC AND SHOULD NOT BE USED WITHOUT WRITTEN PERMISSION									
DIMENSION UNITS		SCALE		CURRENT REV DESC: MIGRATED TO NX				<b>molex</b>	
MM	NTS								
GENERAL TOLERANCES (UNLESS SPECIFIED)				EC NO: 705090		2018/09/18		IMPACT ORTHOGONAL DIRECT 5 PAIR RAM 90 & 270 ASSY UNGUIDED SALES DRAWING	
ANGULAR TOL ± 0.5°				DRWN: TMARRI		2022/02/17			
4 PLACES ±				CHK'D: VINODM3		2022/05/13		PRODUCT CUSTOMER DRAWING	
3 PLACES ±				APPR: LZENG					
2 PLACES ± 0.13				INITIAL REVISION:				DOCUMENT NUMBER	
1 PLACE ± 0.25				DRWN: JMENDOZA		2012/04/13			
0 PLACES ±				APPR: TELO		2013/12/26		SD-171575-0001	
DRAFT WHERE APPLICABLE MUST REMAIN WITHIN DIMENSIONS		THIRD ANGLE PROJECTION		DRAWING		SERIES		MATERIAL NUMBER	
				C-SIZE		171575		SEE CHART	
								CUSTOMER	
								GENERAL MARKET	
								SHEET NUMBER	
								2 OF 4	

DOCUMENT STATUS	P1	RELEASE DATE	2022/05/13	03:05:12
-----------------	----	--------------	------------	----------

# ORTHO POSITION 90°

OD-RAM PIN A1 MAPS  
TO RAF PIN Q10




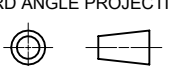
## ORTHO PIN MAPPING

OPTION 90 (NEARSIDE - FAR SIDE)

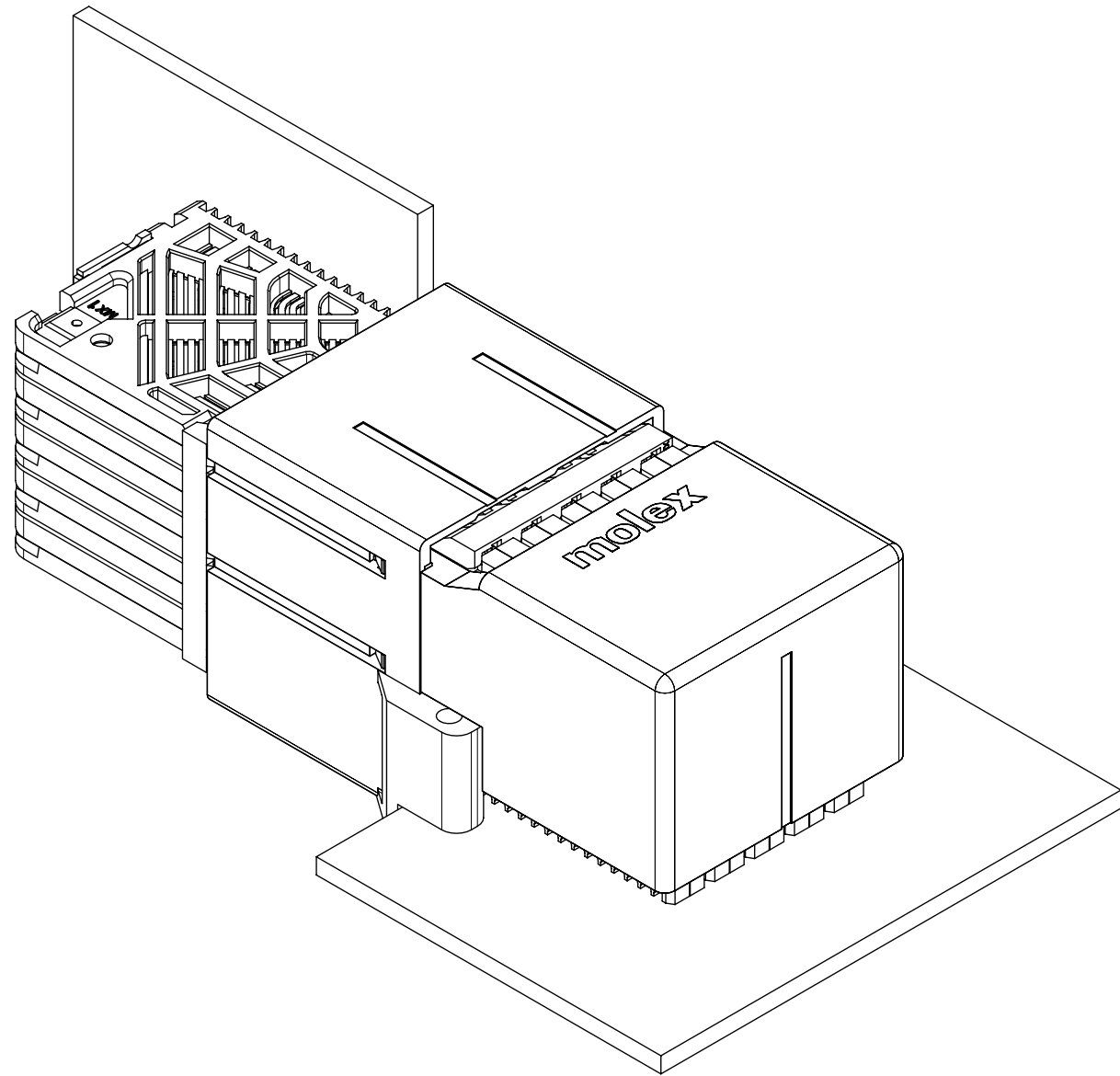
A1-Q10	A2-P10	A3-M10	A4-L10	A5-J10	A6-H10	A7-F10	A8-E10	A9-C10	A10-B10
B1-Q9	B2-N10	B3-M9	B4-K10	B5-J9	B6-G10	B7-F9	B8-D10	B9-C9	B10-A10
C1-P9	C2-N9	C3-L9	C4-K9	C5-H9	C6-G9	C7-E9	C8-D9	C9-B9	C10-A9
D1-Q8	D2-P8	D3-M8	D4-L8	D5-J8	D6-H8	D7-F8	D8-E8	D9-C8	D10-B8
E1-Q7	E2-N8	E3-M7	E4-K8	E5-J7	E6-G8	E7-F7	E8-D8	E9-C7	E10-A8
F1-P7	F2-N7	F3-L7	F4-K7	F5-H7	F6-G7	F7-E7	F8-D7	F9-B7	F10-A7
G1-Q6	G2-P6	G3-M6	G4-L6	G5-J6	G6-H6	G7-F6	G8-E6	G9-C6	G10-B6
H1-Q5	H2-N6	H3-M5	H4-K6	H5-J5	H6-G6	H7-F5	H8-D6	H9-C5	H10-A6
J1-P5	J2-N5	J3-L5	J4-K5	J5-H5	J6-G5	J7-E5	J8-D5	J9-B5	J10-A5
K1-Q4	K2-P4	K3-M4	K4-L4	K5-J4	K6-H4	K7-F4	K8-E4	K9-C4	K10-B4
L1-Q3	L2-N4	L3-M3	L4-K4	L5-J3	L6-G4	L7-F3	L8-D4	L9-C3	L10-A4
M1-P3	M2-N3	M3-L3	M4-K3	M5-H3	M6-G3	M7-E3	M8-D3	M9-B3	M10-A3
N1-Q2	N2-P2	N3-M2	N4-L2	N5-J2	N6-H2	N7-F2	N8-E2	N9-C2	N10-B2
P1-Q1	P2-N2	P3-M1	P4-K2	P5-J1	P6-G2	P7-F1	P8-D2	P9-C1	P10-A2
Q1-P1	Q2-N1	Q3-L1	Q4-K1	Q5-H1	Q6-G1	Q7-E1	Q8-D1	Q9-B1	Q10-A1

NOTE: PINOUTS SHOWN IN BALLOONS ARE GROUNDS.  
GROUND PATHS ARE NOT DISCRETE CIRCUITS.

MATERIAL NUMBER	# OF COLUMNS	# OF DIFF PAIR	MATE POSITION	DIM P	PTH Ø
171575-1114	10	50	90	4.90	0.46±0.05
171575-1115	10	50	90	5.50	0.46±0.05
171575-1117	10	50	90	4.90	0.39±0.05
171575-1118	10	50	90	5.50	0.39±0.05

THIS DRAWING CONTAINS INFORMATION THAT IS PROPRIETARY TO MOLEX ELECTRONIC TECHNOLOGIES, LLC AND SHOULD NOT BE USED WITHOUT WRITTEN PERMISSION									
DIMENSION UNITS		SCALE		CURRENT REV DESC: MIGRATED TO NX					
MM		NTS							
GENERAL TOLERANCES (UNLESS SPECIFIED)				EC NO: 705090		2018/09/18		IMPACT ORTHOGONAL DIRECT 5 PAIR RAM 90 & 270 ASSY UNGUIDED SALES DRAWING PRODUCT CUSTOMER DRAWING	
ANGULAR TOL		± 0.5°		DRWN: TMARRI		2022/02/17			
4 PLACES		±		CHK'D: VINODM3		2022/05/13			
3 PLACES		±		APPR: LZENG				DOCUMENT NUMBER	
2 PLACES		± 0.13		INITIAL REVISION:				SD-171575-0001	
1 PLACE		± 0.25		DRWN: JMENDOZA		2012/04/13		DOC TYPE	
0 PLACES		±		APPR: TELO		2013/12/26		PSD	
DRAFT WHERE APPLICABLE MUST REMAIN WITHIN DIMENSIONS				THIRD ANGLE PROJECTION		DRAWING		DOC PART	
						C-SIZE		001	
						SERIES		REVISION	
						171575		B3	
						MATERIAL NUMBER		SHEET NUMBER	
						SEE CHART		3 OF 4	
						CUSTOMER			
						GENERAL MARKET			

**ORTHO POSITION 270°**  
OD-RAM PIN A1 MAPS  
TO RAF PIN A1



**ORTHO PIN MAPPING**

OPTION 270 (NEARSIDE - FAR SIDE)

A1-A1	A2-B1	A3-D1	A4-E1	A5-G1	A6-H1	A7-K1	A8-L1	A9-N1	A10-P1
B1-A2	B2-C1	B3-D2	B4-F1	B5-G2	B6-J1	B7-K2	B8-M1	B9-N2	B10-Q1
C1-B2	C2-C2	C3-E2	C4-F2	C5-H2	C6-J2	C7-L2	C8-M2	C9-P2	C10-Q2
D1-A3	D2-B3	D3-D3	D4-E3	D5-G3	D6-H3	D7-K3	D8-L3	D9-N3	D10-P3
E1-A4	E2-C3	E3-D4	E4-F3	E5-G4	E6-J3	E7-K4	E8-M3	E9-N4	E10-Q3
F1-B4	F2-C4	F3-E4	F4-F4	F5-H4	F6-J4	F7-L4	F8-M4	F9-P4	F10-Q4
G1-A5	G2-B5	G3-D5	G4-E5	G5-G5	G6-H5	G7-K5	G8-L5	G9-N5	G10-P5
H1-A6	H2-C5	H3-D6	H4-F5	H5-G6	H6-J5	H7-K6	H8-M5	H9-N6	H10-Q5
J1-B6	J2-C6	J3-E6	J4-F6	J5-H6	J6-J6	J7-L6	J8-M6	J9-P6	J10-Q6
K1-A7	K2-B7	K3-D7	K4-E7	K5-G7	K6-H7	K7-K7	K8-L7	K9-N7	K10-P7
L1-A8	L2-C7	L3-D8	L4-F7	L5-G8	L6-J7	L7-K8	L8-M7	L9-N8	L10-Q7
M1-B8	M2-C8	M3-E8	M4-F8	M5-H8	M6-J8	M7-L8	M8-M8	M9-P8	M10-Q8
N1-A9	N2-B9	N3-D9	N4-E9	N5-G9	N6-H9	N7-K9	N8-L9	N9-N9	N10-P9
P1-A10	P2-C9	P3-D10	P4-F9	P5-G10	P6-J9	P7-K10	P8-M9	P9-N10	P10-Q9
Q1-B10	Q2-C10	Q3-E10	Q4-F10	Q5-H10	Q6-J10	Q7-L10	Q8-M10	Q9-P10	Q10-Q10

NOTE: PINOUTS SHOWN IN BALLOONS ARE GROUNDS.  
GROUND PATHS ARE NOT DISCRETE CIRCUITS.

MATERIAL NUMBER	# OF COLUMNS	# OF DIFF PAIR	MATE POSITION	DIM P	PTH Ø
171575-1134	10	50	270	4.90	0.46±0.05
171575-1135	10	50	270	5.50	0.46±0.05
171575-1137	10	50	270	4.90	0.39±0.05
171575-1138	10	50	270	5.50	0.39±0.05

THIS DRAWING CONTAINS INFORMATION THAT IS PROPRIETARY TO MOLEX ELECTRONIC TECHNOLOGIES, LLC AND SHOULD NOT BE USED WITHOUT WRITTEN PERMISSION

DIMENSION UNITS	SCALE	CURRENT REV DESC: MIGRATED TO NX		<b>molex</b>	
MM	NTS				
GENERAL TOLERANCES (UNLESS SPECIFIED)		EC NO: 705090		IMPACT ORTHOGONAL DIRECT	
ANGULAR TOL	± 0.5°	DRWN: TMARRI	2018/09/18	5 PAIR RAM 90 & 270 ASSY UNGUIDED SALES	
4 PLACES	±	CHK'D: VINODM3	2022/02/17	DRAWING	
3 PLACES	±	APPR: LZENG	2022/05/13	PRODUCT CUSTOMER DRAWING	
2 PLACES	± 0.13	INITIAL REVISION:		DOCUMENT NUMBER	
1 PLACE	± 0.25	DRWN: JMENDOZA	2012/04/13	SD-171575-0001	
0 PLACES	±	APPR: TELO	2013/12/26	DOC TYPE	DOC PART
DRAFT WHERE APPLICABLE MUST REMAIN WITHIN DIMENSIONS		THIRD ANGLE PROJECTION	DRAWING	SERIES	REVISION
			C-SIZE	171575	PSD 001 B3
				MATERIAL NUMBER	CUSTOMER
				SEE CHART	GENERAL MARKET
				SHEET NUMBER	
				4 OF 4	