



Electrical specifications

Passband: 3000-4000MHz
Passband Insertion Loss: ≤1.0dB
VSWR: ≤1.6
Rejection: ≥60dB@2800MHz
Rejection 2: ≥60dB@4200MHz
Power Handling: 5W(CW)
Input / Output Impedance: 50 Ohms

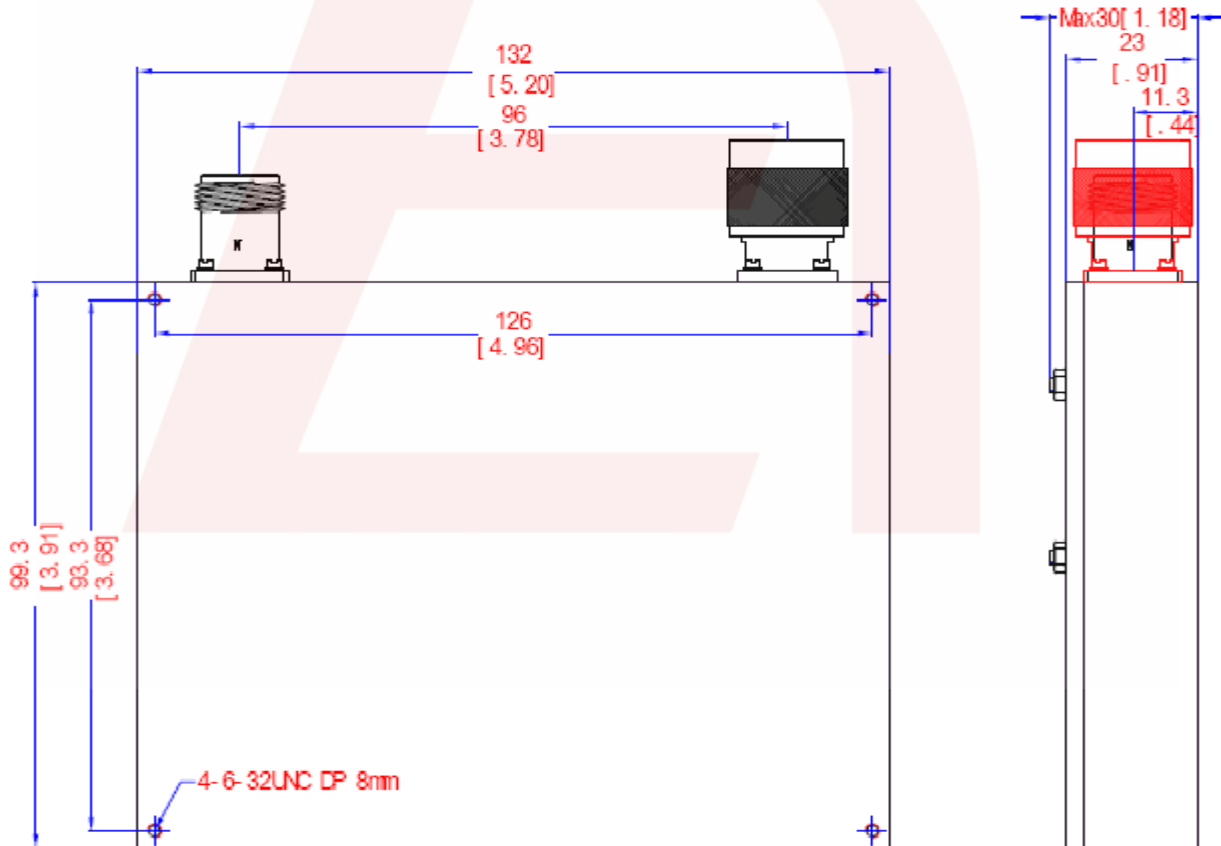
Mechanical

Connector Type: N-Female/N-Male
Dimensions: 5.20 x 3.91 x .91 inches

Environmental

Operating Temperature: -40 to +85 deg.C
Storage Temperature: -55 to +95 deg.C
Shock: 20 G's, ½ sine, 11ms
Vibration: 20 G. 10 to 2000 Hz
Relative Humidity: 0-95%

Outline Drawing:





ANATECH ELECTRONICS INC
RF & Microwave Filters & Products

3500 MHz Cavity Bandpass Filter

Part Number: AB3500B1053



Response Plot:

