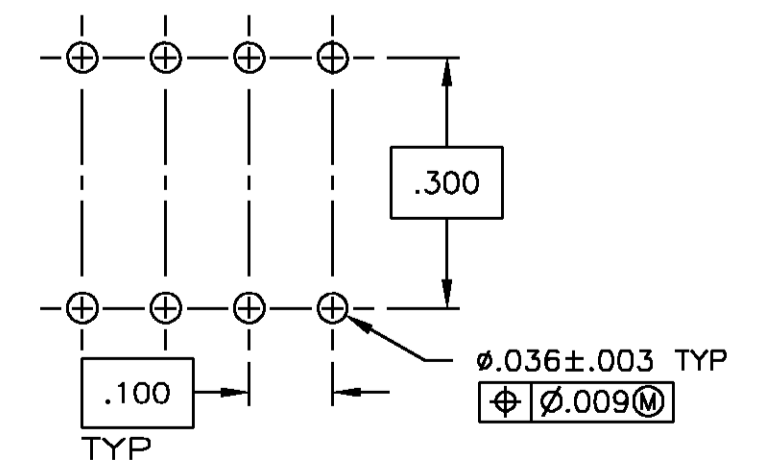
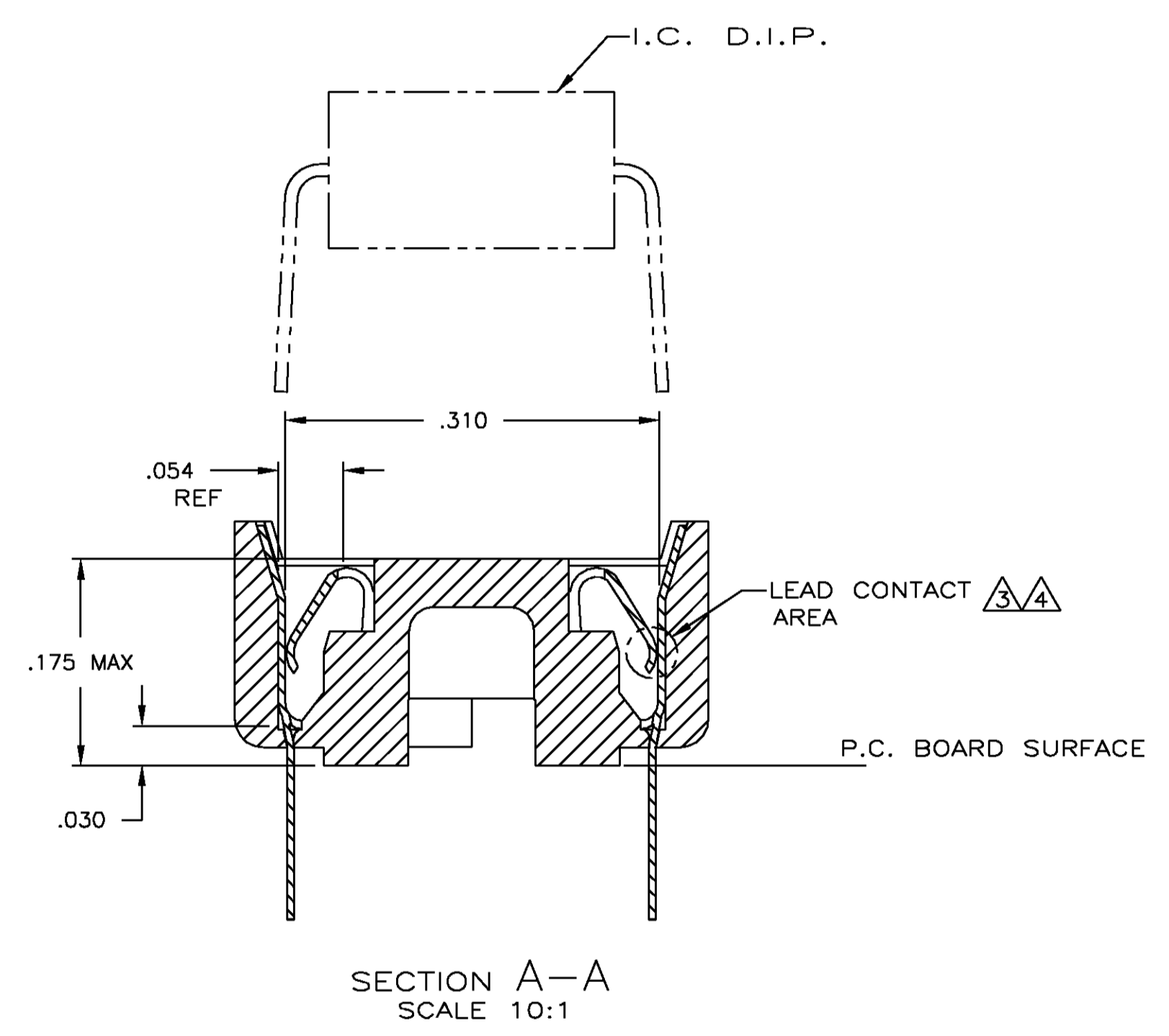
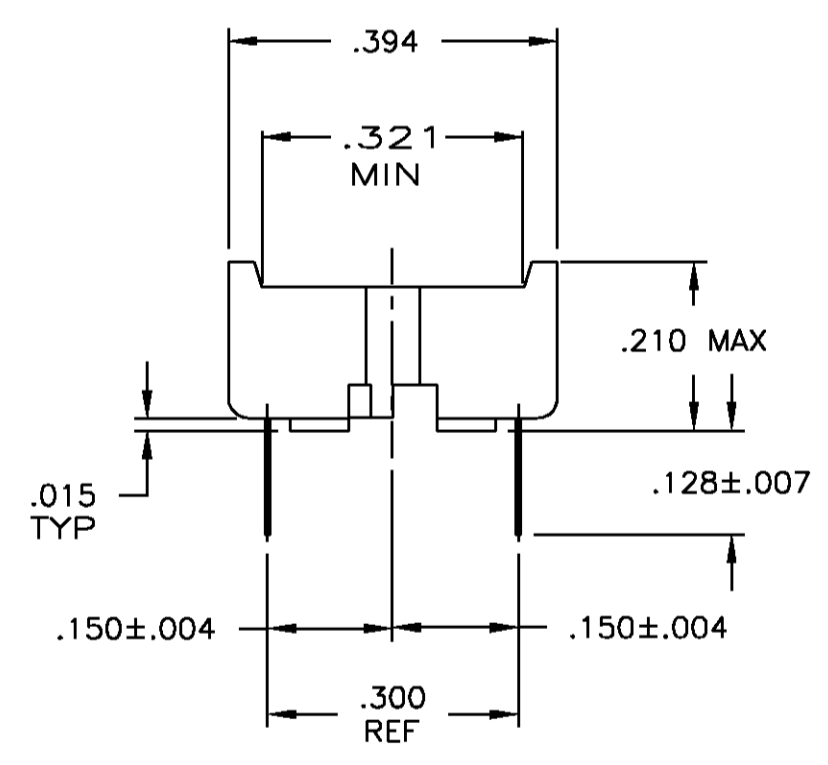
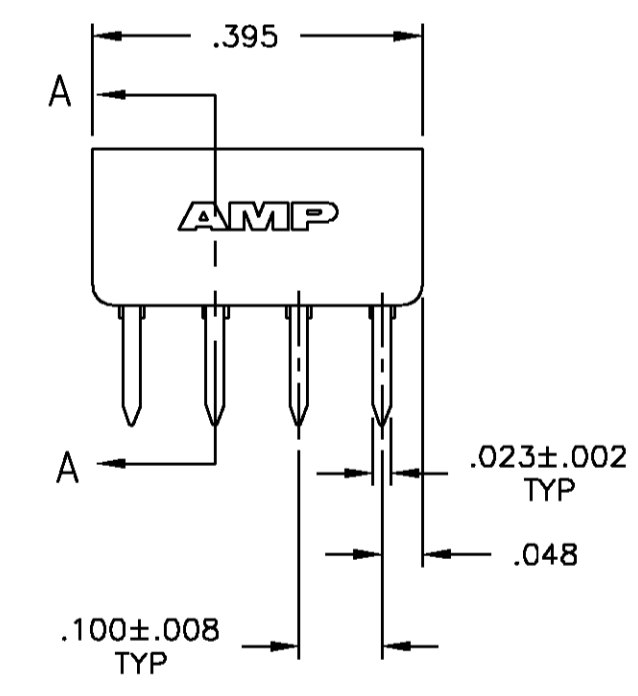
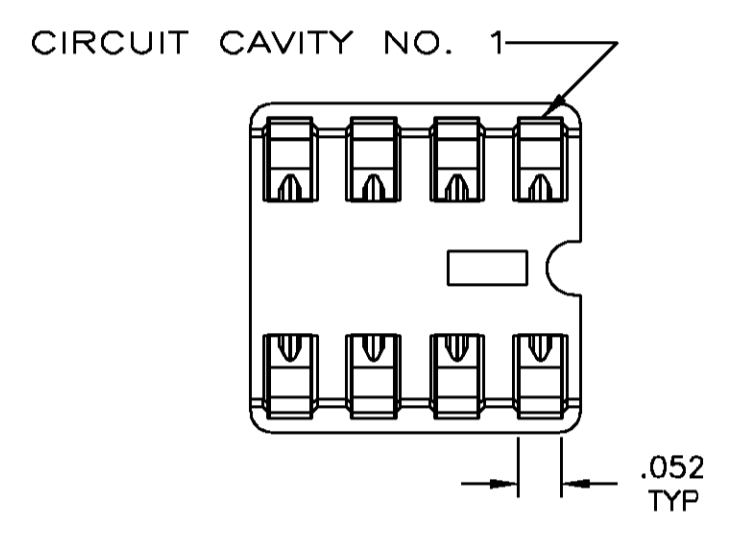


- RECEPTACLE ACCEPTS A .008-.014 THICK I.C. LEAD.
- TUBE LOADED FOR AUTOMATIC INSERTION.
- $\triangle 3$  TWO .000030 MIN THK. GOLD STRIPES IN CONTACT AREA WITH TIN-LEAD (93/7) ON CONTACT LEGS, BALANCE OF CONTACT NICKEL PLATED.
- $\triangle 4$  TWO .000015 MIN THK. GOLD STRIPES IN CONTACT AREA WITH TIN-LEAD (93/7) ON CONTACT LEGS, BALANCE OF CONTACT NICKEL PLATED.



RECOMMENDED MOUNTING HOLE PATTERN  
SCALE 4:1

OBSELETE	TINNED	PHOS.BRZ. .006 THK	GLASS-FILLED THERMOPLASTIC, 94V-0, BLACK	2-640463-5
SUPERSEDED BY 390261-2	$\triangle 3$ TINNED	PHOS.BRZ. .006 THK	GLASS-FILLED THERMOPLASTIC, 94V-0, BLACK	2-640463-4
SUPERSEDED BY 390261-2	$\triangle 3$ TINNED	BE.CU. .006 THK	GLASS-FILLED THERMOPLASTIC, 94V-0, BLACK	2-640463-3
	TINNED	BE.CU. .006 THK	GLASS-FILLED THERMOPLASTIC, 94V-0, BLACK	2-640463-2
	TINNED	BE.CU. .006 THK	GLASS-FILLED THERMOPLASTIC, 94V-0, BLACK	2-640463-1

CONTACT FINISH		CONTACT MAT'L		HOUSING MATERIAL		PART NO.	
THIS DRAWING IS A CONTROLLED DOCUMENT.							
DIMENSIONS:		TOLERANCES UNLESS OTHERWISE SPECIFIED:		DRAWN		DATE	
INCHES		FRACTIONS		M.CYRUS		2-20-87	
0 PL ±		1/16 ±		R. MILLER		2-20-87	
1 PL ±		1/32 ±		J. LAMBERT		2-28-87	
2 PL ±		1/64 ±		NAME		R. MILLER	
3 PL ±		.005 ±		PRODUCT SPEC		108-1066	
4 PL ±		.005 ±		APPLICATION SPEC		114-1049	
ANGLES		±		SIZE		CAGE CODE	
SEE TABLE		SEE TABLE		A1		00779	
MATERIAL		FINISH		DRAWING NO		RESTRICTED TO	
SEE TABLE		SEE TABLE		CUSTOMER DRAWING		SCALE	
				SCALE		SHEET	
				5:1		1 OF 1	
				REV		AF	