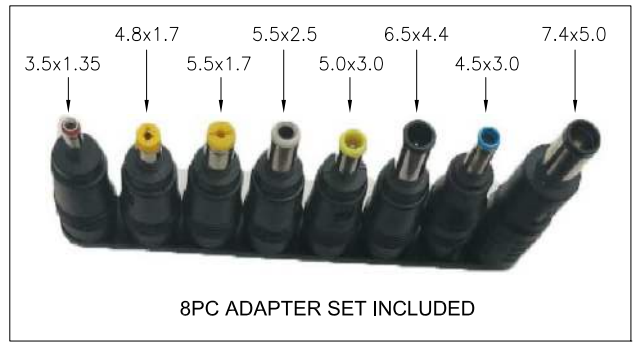
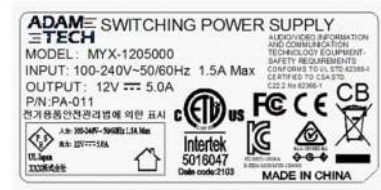
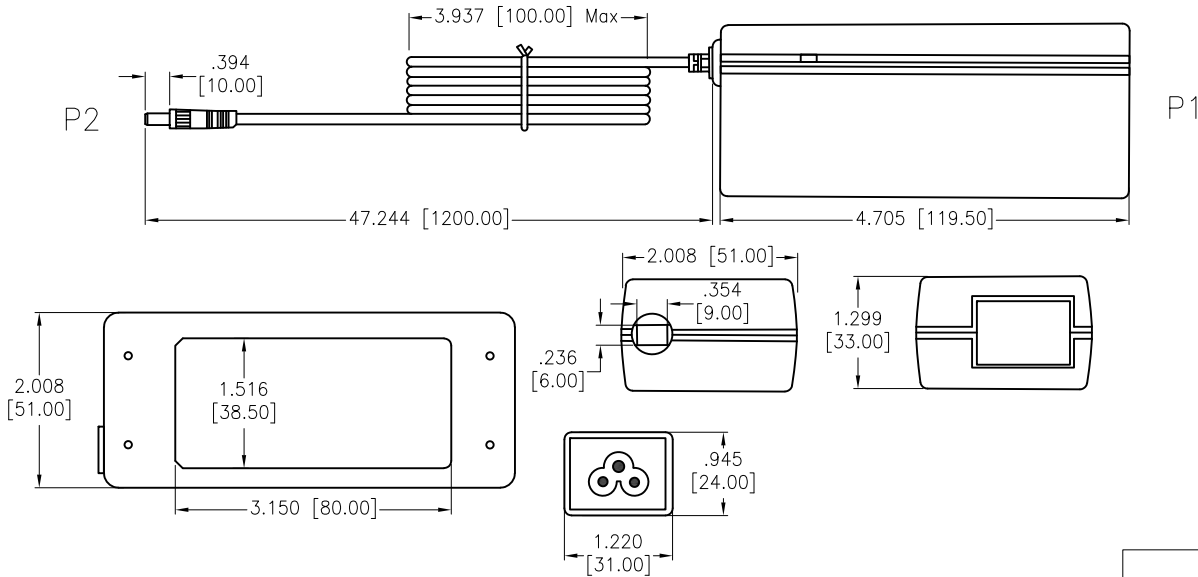


APPROVED: \_\_\_\_\_  
 DATE: \_\_\_\_\_ TITLE: \_\_\_\_\_

Rev	AWO #	Description	Date	Appr
-		RELEASED	3/24/21	
A		UPDATE DRAWING	4/27/21	WX/AC
B		UPDATE DIM	6/11/21	JJ
C		UPDATE DIM	6/17/21	WX/LL
D		UPDATE DIM ON DC PLUG I.D. to 2.5mm	10/26/22	SS



**SPECIFICATIONS:**

Connector  
 P1: Power Adapter, W/Strain Relief, Shell: PC+ABS  
 P2: DC Plug, W/Strain Relief, 5.5\*2.5\*10mm  
 CABLE:  
 UL2464: 18AWG, Jacket Color: Black  
 Electrical:  
 Input:  
 Voltage: 100Vac to 240Vac  
 Current: 1.5A Max. @ 90Vac input & max load  
 Frequency: 47Hz / 63Hz  
 Output:  
 Voltage: 12V  
 Current: 5A max.  
 Load Regulation: ±5%  
 Line Regulation: ±1%  
 Line Load Regulation-Output Rate: 12V, 5A  
 Insulator Resistance: 10 Mohms min @ 500VDC  
 Dielectric Strength(Hi-pot): 3,000V AC For 1 Minute  
 Temperature Rating:  
 Operating Temperature: -20°C to +40°C  
 Storage Temperature: -20°C to +75°C  
 Environmental:  
 Lead free, RoHS compliant.



UNLESS OTHERWISE SPECIFIED ALL DIMENSIONS ARE INCHES [MM]. TOLERANCES: EXCEPT AS NOTED

INCHES		HOLES	
.X	± .10	ØX	± .10
.XX	± .020	ØXX	± .015
.XXX	± .015	ØXXX	± .010

DRAWN	WX	3/24/21
CHECKED	AC	3/24/21
APPROVED		

THIS DRAWING CONTAINS INFORMATION THAT IS PROPRIETARY AND SHOULD NOT BE USED WITHOUT PRIOR WRITTEN PERMISSION FROM ADAM TECH

**ADAM TECH** 909 Rahway Avenue, Union, NJ 07083  
 Phone: 908-687-5000  
 Fax: 908-687-5710

TITLE: SWITCHING POWER SUPPLY, 12 VOLT, 5AMP, UL2464 18AWG, 5.5X2.5X10MM, COLOR BLACK

SIZE	PART NO.	REV.
X	PA-011	D

REF: \_\_\_\_\_ SCALE: NTS SHEET 1 OF 1