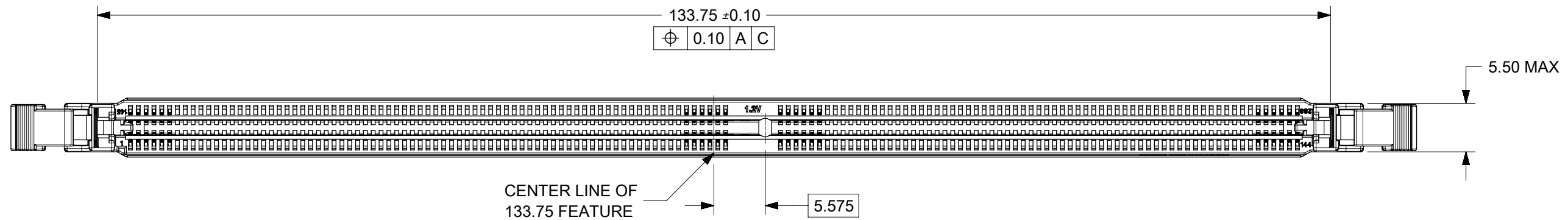


- NOTES:
- MATERIAL : HOUSING - HALOGEN FREE POLYAMIDE (PA), GLASS FILLED, UL94V-0.
COLOR : SEE TABLE ON SHEET 5.
LATCH - HALOGEN FREE POLYAMIDE (PA), GLASS FILLED, UL94V-0.
COLOR : SEE TABLE ON SHEET 5.
TERMINAL: COPPER ALLOY.
 - FINISHES - SEE TABLE ON SHEET 5.
 - PRODUCT SPECIFICATION : SEE TABLE ON SHEET 5.
 - PACKAGING SPECIFICATION: PK-151024-0001.
 - CARD SLOT ACCEPTS 1.40±0.10mm MODULE THICKNESS (MEASURED OVER P.C. PADS).
 - MOLEX LOGO, DATE & PART NO. INDICATED ON HOUSING.
 - MODULE SEATING PLANE.
 - KEEP OUT ZONE RESERVED FOR LATCH.
 - KEEP OUT AREA IS THE AREA WHERE THE CONNECTOR (INCLUDES LATCHES IN OPENING POSITION) IS MOUNTED ON THE PCB.
 - REFER TO AS-78731-001 FOR CONNECTOR MOUNTING AND REWORK INFORMATION.
 - REFER TO AS-78731-003 FOR PCB ROUTING RECOMMENDATIONS.

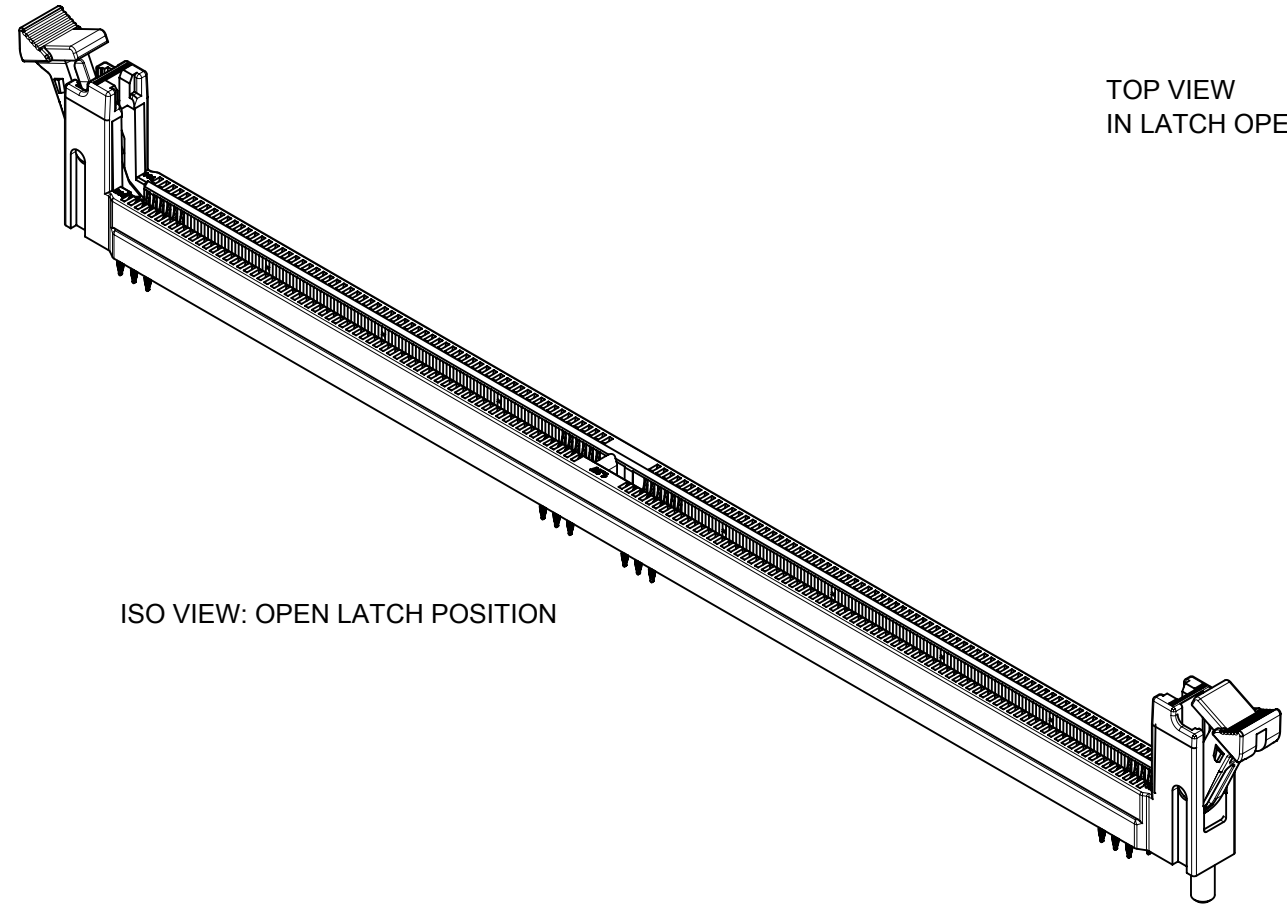
THIS DESIGN IS BASED ON DESIGN OBJECTIVES AND IS STRICTLY TENTATIVE. IT MAY CHANGE BASED ON RESULTS OF ADDITIONAL DESIGN REVIEWS AND VERIFICATIONS.

QUALITY SYMBOLS FA = 0 FE = 0 FB = 0 FV = 0 FC = 0 FX = 0 FS = 0 FT = 0	THIS DRAWING CONTAINS INFORMATION THAT IS PROPRIETARY TO MOLEX ELECTRONIC TECHNOLOGIES, LLC AND SHOULD NOT BE USED WITHOUT WRITTEN PERMISSION		DIMENSION UNITS: MM SCALE: NTS			
	GENERAL TOLERANCES (UNLESS SPECIFIED) ANGULAR TOL ± 3.0 °		DRWN BY: JAKEEMEW DATE: 2014/06/04			DDR4 DIMM, 0.85MM PITCH SLIM TOWER, 288 PINS, PF SHORT TAIL LENGTH
	4 PLACES ± 3 PLACES ± 2 PLACES ± 0.2 1 PLACE ± 0 PLACES ±		CHK'D BY: CGTAN DATE: 2015/03/04			
	DRAFT WHERE APPLICABLE MUST REMAIN WITHIN DIMENSIONS		APPR BY: SHLENI DATE: 2015/03/04			PRODUCT CUSTOMER DRAWING
EC NO: 111829 DRWN: SCHANNARAYAN CHK'D: VMANICKAM APPR: SHLENI		DRAWING SIZE: A3 THIRD ANGLE PROJECTION		SERIES: 151024 MATERIAL NUMBER: SEE TABLE CUSTOMER: GENERAL MARKET		
RELEASE STATUS: A REV:		DOCUMENT NUMBER: SD-151024-0002 DOC TYPE: PSD DOC PART: 000 SHEET NUMBER: 1 OF 5				

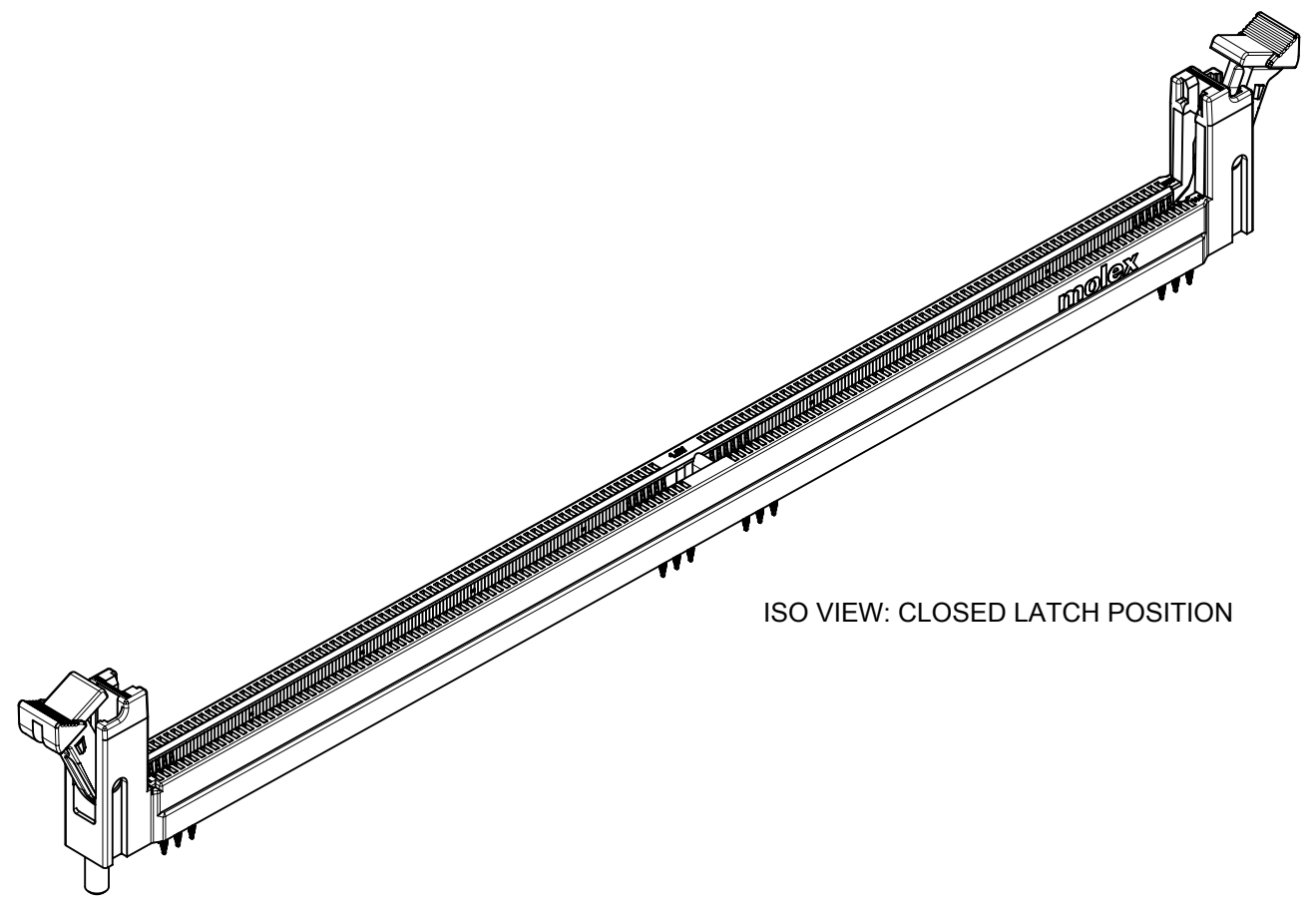


133.75 ± 0.10
 Ø 0.10 A C
 5.575
 5.50 MAX

TOP VIEW
 IN LATCH OPENING POSITION



ISO VIEW: OPEN LATCH POSITION

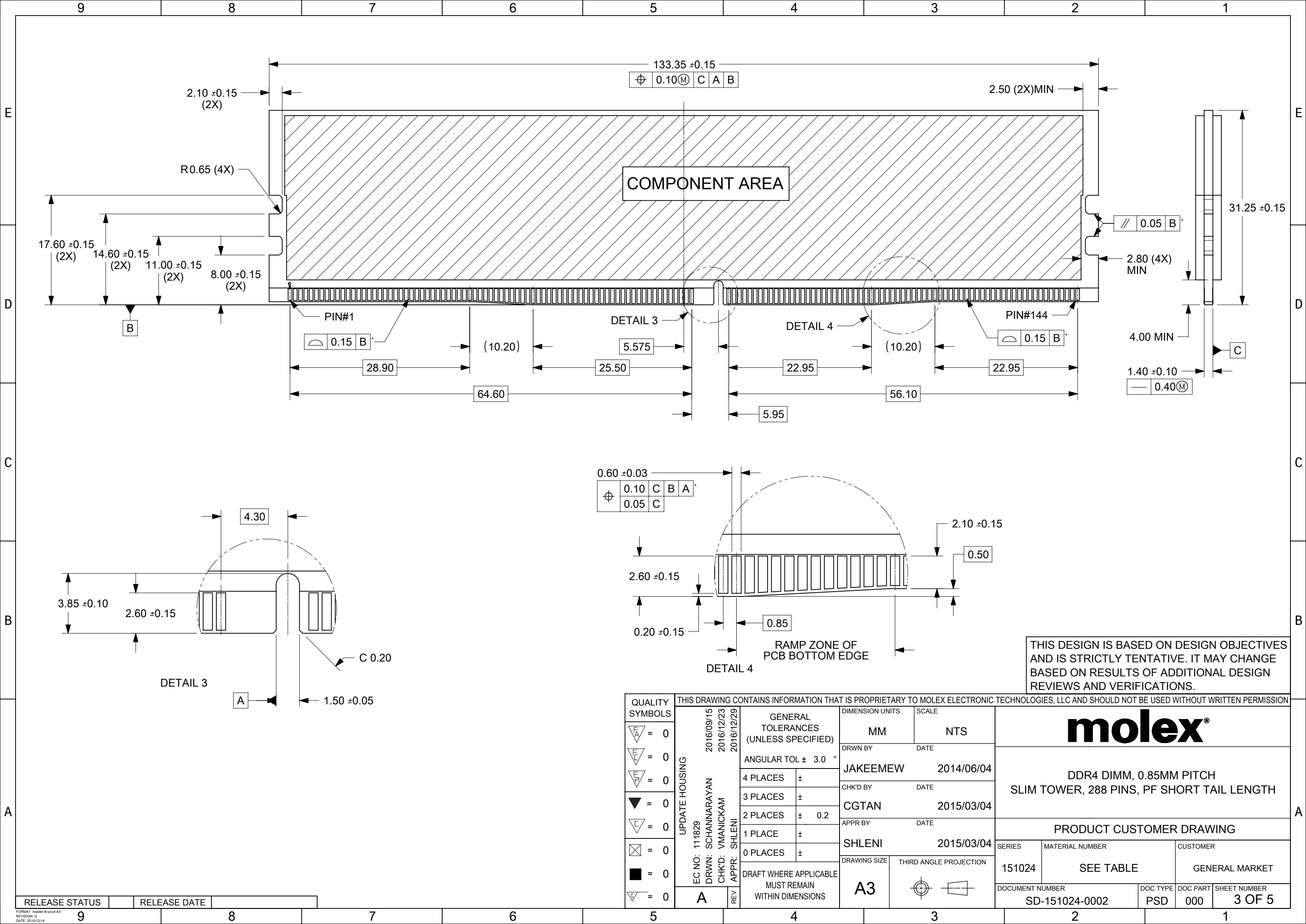


ISO VIEW: CLOSED LATCH POSITION

THIS DESIGN IS BASED ON DESIGN OBJECTIVES AND IS STRICTLY TENTATIVE. IT MAY CHANGE BASED ON RESULTS OF ADDITIONAL DESIGN REVIEWS AND VERIFICATIONS.

THIS DRAWING CONTAINS INFORMATION THAT IS PROPRIETARY TO MOLEX ELECTRONIC TECHNOLOGIES, LLC AND SHOULD NOT BE USED WITHOUT WRITTEN PERMISSION														
QUALITY SYMBOLS		UPDATE HOUSING			GENERAL TOLERANCES (UNLESS SPECIFIED)		DIMENSION UNITS		SCALE					
▽A	= 0	2016/09/15	2016/12/23	2016/12/29	ANGULAR TOL ± 3.0 °		MM	NTS	DRWN BY				DATE	
▽E	= 0	EC NO: 111829	DRWN: SCHANNARAYAN	CHK'D: VMANICKAM	4 PLACES	±	JAKEEMEW		2014/06/04		DDR4 DIMM, 0.85MM PITCH SLIM TOWER, 288 PINS, PF SHORT TAIL LENGTH			
▽F	= 0				3 PLACES	±	CHK'D BY		DATE					
▽	= 0				2 PLACES	± 0.2	CGTAN		2015/03/04		PRODUCT CUSTOMER DRAWING			
▽C	= 0				1 PLACE	±	APPR BY		DATE					
▽	= 0				0 PLACES	±	SHLENI		2015/03/04		SERIES	MATERIAL NUMBER	CUSTOMER	
⊗	= 0				DRAFT WHERE APPLICABLE MUST REMAIN WITHIN DIMENSIONS		DRAWING SIZE		THIRD ANGLE PROJECTION		151024	SEE TABLE	GENERAL MARKET	
■	= 0						A3				DOCUMENT NUMBER	DOC TYPE	DOC PART	SHEET NUMBER
▽	= 0										SD-151024-0002	PSD	000	2 OF 5

RELEASE STATUS	RELEASE DATE
----------------	--------------



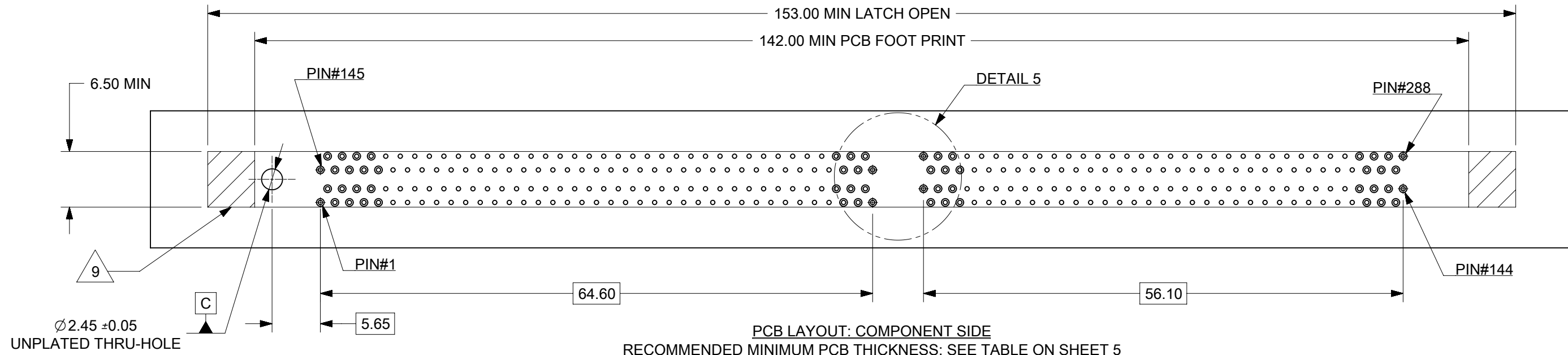
QUALITY SYMBOLS	THIS DRAWING CONTAINS INFORMATION THAT IS PROPRIETARY TO MOLEX ELECTRONIC TECHNOLOGIES, LLC AND SHOULD NOT BE USED WITHOUT WRITTEN PERMISSION
▽A = 0	EC NO: 111829 DRWN: SCHANNARAYAN CHK'D: VMANICKAM APPR: SHLENI DATE: 2015/12/14
▽E = 0	
▽F = 0	
▽ = 0	
▽C = 0	
⊠ = 0	
■ = 0	
▽ = 0	
▽ = 0	
▽ = 0	

GENERAL TOLERANCES (UNLESS SPECIFIED)	
4 PLACES	±
3 PLACES	±
2 PLACES	± 0.2
1 PLACE	±
0 PLACES	±

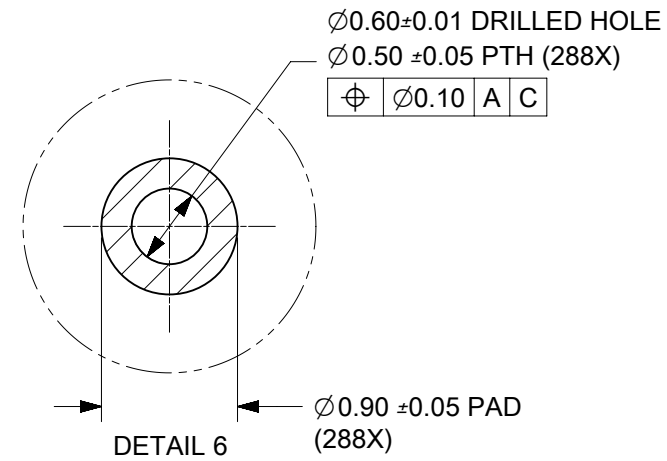
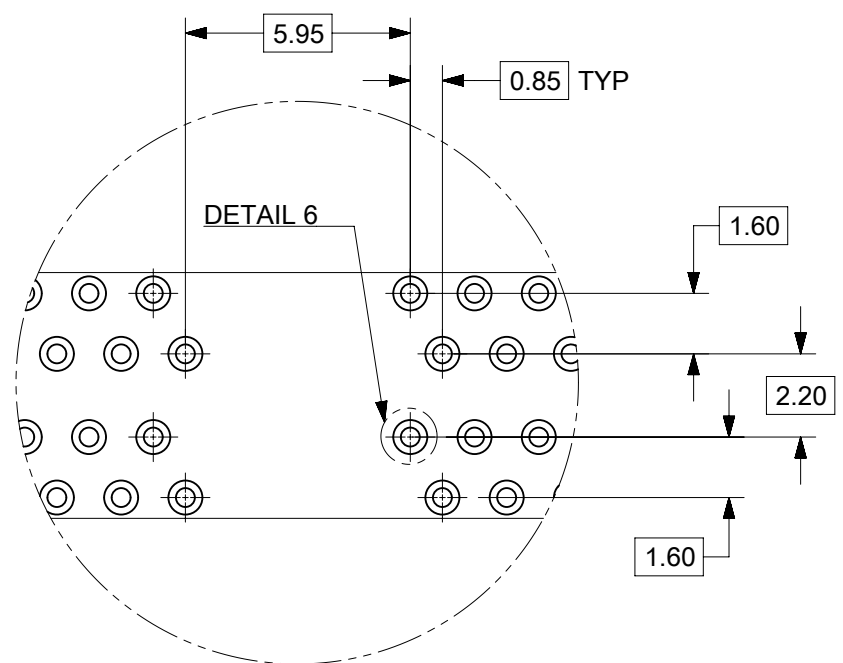
DIMENSION UNITS		SCALE	
MM		NTS	
DRWN BY	JAKEEMEW	DATE	2014/06/04
CHK'D BY	CGTAN	DATE	2015/03/04
APPR BY	SHLENI	DATE	2015/03/04
DRAWING SIZE	THIRD ANGLE PROJECTION		
A3			

PRODUCT CUSTOMER DRAWING			
SERIES	MATERIAL NUMBER	CUSTOMER	
151024	SEE TABLE	GENERAL MARKET	
DOCUMENT NUMBER	DOC TYPE	DOC PART	SHEET NUMBER
SD-151024-0002	PSD	000	3 OF 5

RELEASE STATUS	RELEASE DATE



∅2.45 ±0.05
UNPLATED THRU-HOLE




THIS DESIGN IS BASED ON DESIGN OBJECTIVES AND IS STRICTLY TENTATIVE. IT MAY CHANGE BASED ON RESULTS OF ADDITIONAL DESIGN REVIEWS AND VERIFICATIONS.

QUALITY SYMBOLS FA = 0 FE = 0 FB = 0 ▼ = 0 C = 0 ⊗ = 0 ■ = 0 ∇ = 0		THIS DRAWING CONTAINS INFORMATION THAT IS PROPRIETARY TO MOLEX ELECTRONIC TECHNOLOGIES, LLC AND SHOULD NOT BE USED WITHOUT WRITTEN PERMISSION		DIMENSION UNITS: MM SCALE: NTS			
GENERAL TOLERANCES (UNLESS SPECIFIED) ANGULAR TOL ± 3.0 ° 4 PLACES ± 3 PLACES ± 2 PLACES ± 0.2 1 PLACE ± 0 PLACES ±		DRWN BY: JAKEEMEW DATE: 2014/06/04 CHK'D BY: CGTAN DATE: 2015/03/04 APPR BY: SHLENI DATE: 2015/03/04		DDR4 DIMM, 0.85MM PITCH SLIM TOWER, 288 PINS, PF SHORT TAIL LENGTH			
EC NO: 111829 DRWN: SCHANNARAYAN CHK'D: VMANICKAM APPR: SHLENI		DRAFT WHERE APPLICABLE MUST REMAIN WITHIN DIMENSIONS		DRAWING SIZE: A3 THIRD ANGLE PROJECTION		PRODUCT CUSTOMER DRAWING	
RELEASE STATUS RELEASE DATE		SERIES: 151024 MATERIAL NUMBER: SEE TABLE CUSTOMER: GENERAL MARKET		DOCUMENT NUMBER: SD-151024-0002 DOC TYPE: PSD DOC PART: 000 SHEET NUMBER: 4 OF 5			

ASSEMBLY PART No.	HOUSING COLOR	LATCH COLOR	DIM 'P'	DIM 'C'	RECOMMENDED MINIMUM PDB THICKNESS	PLATING OPTION		PRODUCT SPECIFICATION
						CONTACT AREA	TAIL AREA	
151024-0021	BLACK	BLACK	1.85	4.30	1.57	SELECTIVE GOLD (Au), THICKNESS: 0.76 MICROMETER (30 MICROINCH) MINIMUM NICKEL (Ni) UNDERPLATE, THICKNESS: 1.27 MICROMETER (50 MICROINCH) MINIMUM	SELECTIVE MATTE TIN (Sn), THICKNESS: 0.38 TO 1.52 MICROMETER (15 TO 60 MICROINCH) NICKEL (Ni) UNDERPLATE, THICKNESS: 1.27 MICROMETER (50 MICROINCH) MINIMUM	PS-151024-0001
151024-0022	NATURAL (OFF-WHITE)	NATURAL (OFF-WHITE)						
151024-0023	BLACK	NATURAL (OFF-WHITE)						
151024-0024	NATURAL (OFF-WHITE)	BLACK						

THIS DESIGN IS BASED ON DESIGN OBJECTIVES AND IS STRICTLY TENTATIVE. IT MAY CHANGE BASED ON RESULTS OF ADDITIONAL DESIGN REVIEWS AND VERIFICATIONS.

THIS DRAWING CONTAINS INFORMATION THAT IS PROPRIETARY TO MOLEX ELECTRONIC TECHNOLOGIES, LLC AND SHOULD NOT BE USED WITHOUT WRITTEN PERMISSION											
QUALITY SYMBOLS FA = 0 FE = 0 FP = 0 TV = 0 TC = 0 X = 0 ■ = 0 V = 0		UPDATE HOUSING EC NO: 111829 DRWN: SCHANNARAYAN CHK'D: VMANICKAM REV APPR: SHLENI		2016/09/15 2016/12/23 2016/12/29		GENERAL TOLERANCES (UNLESS SPECIFIED) ANGULAR TOL ± 3.0 ° 4 PLACES ± 3 PLACES ± 2 PLACES ± 0.2 1 PLACE ± 0 PLACES ± DRAFT WHERE APPLICABLE MUST REMAIN WITHIN DIMENSIONS		DIMENSION UNITS: MM SCALE: NTS DRWN BY: JAKEEMEW DATE: 2014/06/04 CHK'D BY: CGTAN DATE: 2015/03/04 APPR BY: SHLENI DATE: 2015/03/04		 DDR4 DIMM, 0.85MM PITCH SLIM TOWER, 288 PINS, PF SHORT TAIL LENGTH	
PRODUCT CUSTOMER DRAWING						DRAWING SIZE: A3		THIRD ANGLE PROJECTION		SERIES: 151024	
MATERIAL NUMBER: SEE TABLE						CUSTOMER: GENERAL MARKET		DOCUMENT NUMBER: SD-151024-0002		DOC TYPE: PSD	
RELEASE STATUS						RELEASE DATE		DOC PART: 000		SHEET NUMBER: 5 OF 5	