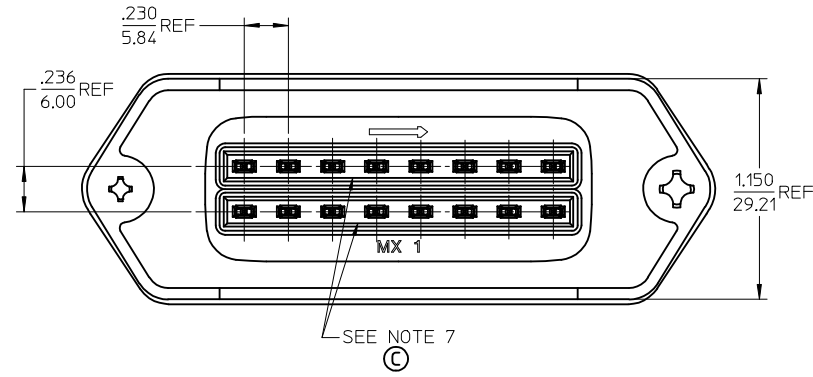
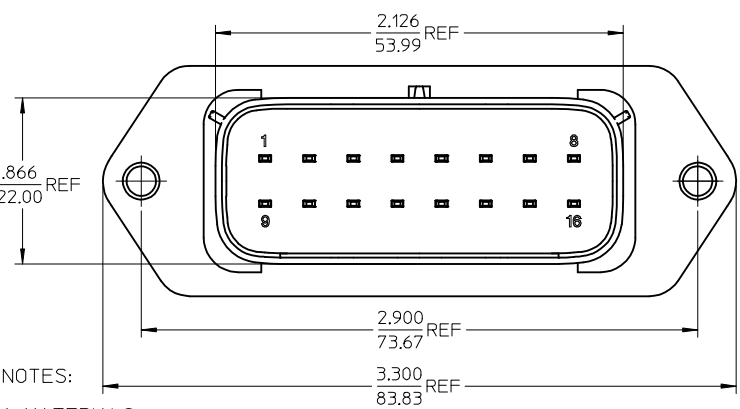
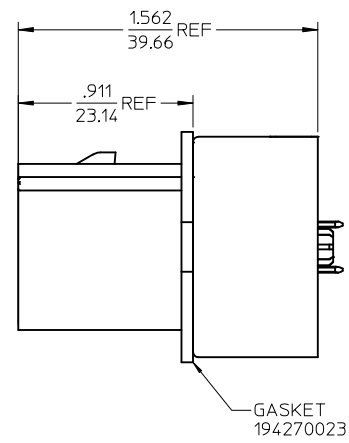
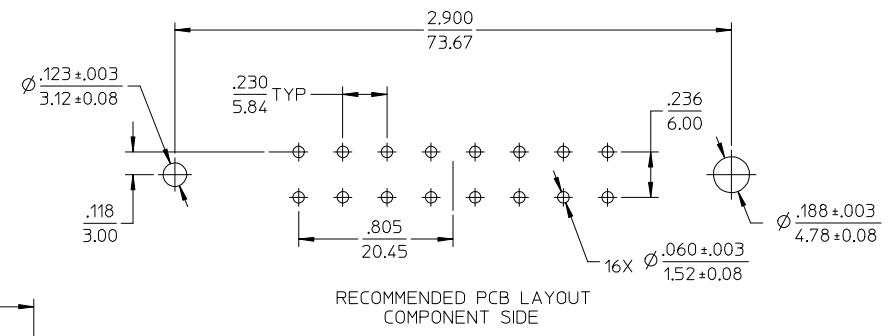
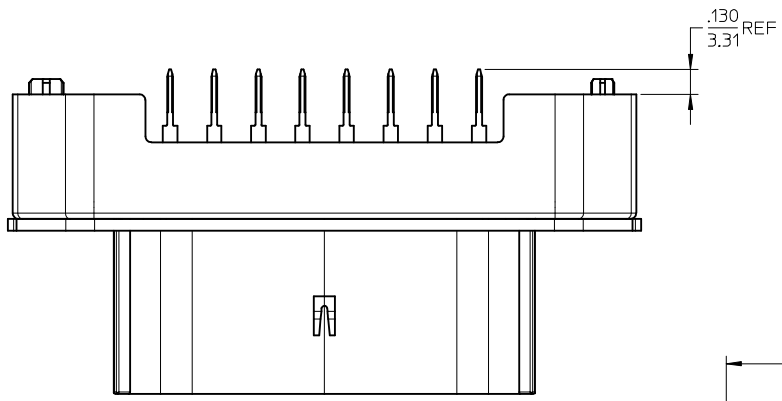
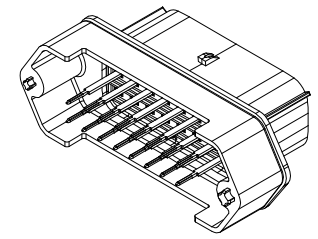
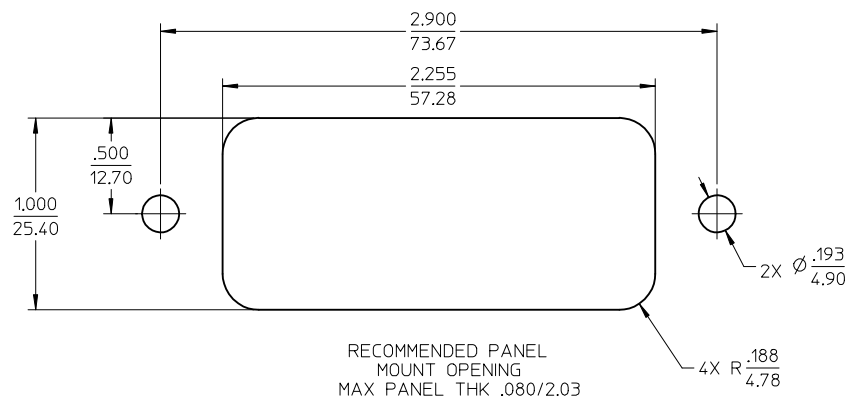


MATERIAL NUMBER	TERMINAL FINISH	TERMINAL PIN POTTING
19428-0002	TIN	NO
19428-0024	TIN/GOLD	
19428-0040	TIN	YES
19428-0041	TIN/GOLD	



- MATERIALS:  
HOUSING: POLYESTER (PBT), GLASS FILLED, UL94 V-0,  
COLOR: BLACK  
TERMINALS: COPPER ALLOY  
TERMINAL POTTING AS APPLICABLE: ELASTOMERIC SILICONE.
- FINISHES: 1. TIN ONLY: 100µN TIN OVER 50µN NICKEL  
2. TIN/GOLD: 30µN SELECT GOLD (CONTACT MATING AREA),  
100µN SELECT TIN (PCB TAIL AREA) OVER 50µN NICKEL OVERALL.
- PRODUCT SPECIFICATION: PS-19428-001.
- PACKAGING SPECIFICATION: PK-19428-001.
- MATES WITH: 19418 SERIES RECEPTACLE ASSEMBLIES.
- RECOMMENDED MOUNTING HARDWARE: (2) #10 X .62/18.9 LONG PLASTIC  
THREAD CUTTING SCREWS. RECOMMENDED TORQUE 15-17 IN-LBS.  
SUGGESTED SOURCE: ITW SHAKEPROOF INDUSTRIAL BOSSCREW OR EQUIVALENT.
- ELASTOMERIC SILICONE APPLIED IN TERMINAL WELLS. SEE CHART.
- ASSEMBLY IS ROHS COMPLIANT.

<b>ADDED MAT. NOS.</b> EC NO: ETC2007-0238 DRWN: JPAWLICK 2006/12/11 CHKD: JPAWLICK 2006/12/11 APPR: JPAWLICK 2006/12/12	<b>QUALITY SYMBOLS</b> ▽=0 ▽=0	<b>GENERAL TOLERANCES (UNLESS SPECIFIED)</b>		<b>DIMENSION STYLE</b> IN/MM		<b>SCALE</b> 2:1	<b>DESIGN UNITS</b> INCH	THIRD ANGLE PROJECTION	
		mm	INCH	DRAWN BY	DATE	<b>TITLE</b> 16-WAY STRAIGHT HEADER ASSEMBLY, LONG VERSION			
<b>REV</b> C	<b>DESCRIPTION</b> DRAFT WHERE APPLICABLE MUST REMAIN WITHIN DIMENSIONS	4 PLACES ± .015	± .015	DMYRICK	04/07/07	<b>MOLEX INCORPORATED</b>		DOCUMENT NO. SD-19428-016 SHEET NO. 1 OF 1	
		3 PLACES ± .038	± .038	CHECKED BY	DATE	MOLEX INCORPORATED			
		2 PLACES ± .015	± .015	JPAWLICK I	04/07/07	MOLEX INCORPORATED			
		1 PLACE ± .015	± .015	APPROVED BY	DATE	MOLEX INCORPORATED			
		ANGULAR ± 1°		RDEROSS	04/07/07				
		MATERIAL NO. SEE CHART							
		SIZE C		THIS DRAWING CONTAINS INFORMATION THAT IS PROPRIETARY TO MOLEX INCORPORATED AND SHOULD NOT BE USED WITHOUT WRITTEN PERMISSION					