

3M™ WIREMOUNT SOCKET PREASSEMBLED, 3000 SERIES
 .100" X .100" FOR .050" PITCH CABLE, (OPTIONAL PLASTIC OR METAL STRAIN RELIEF)

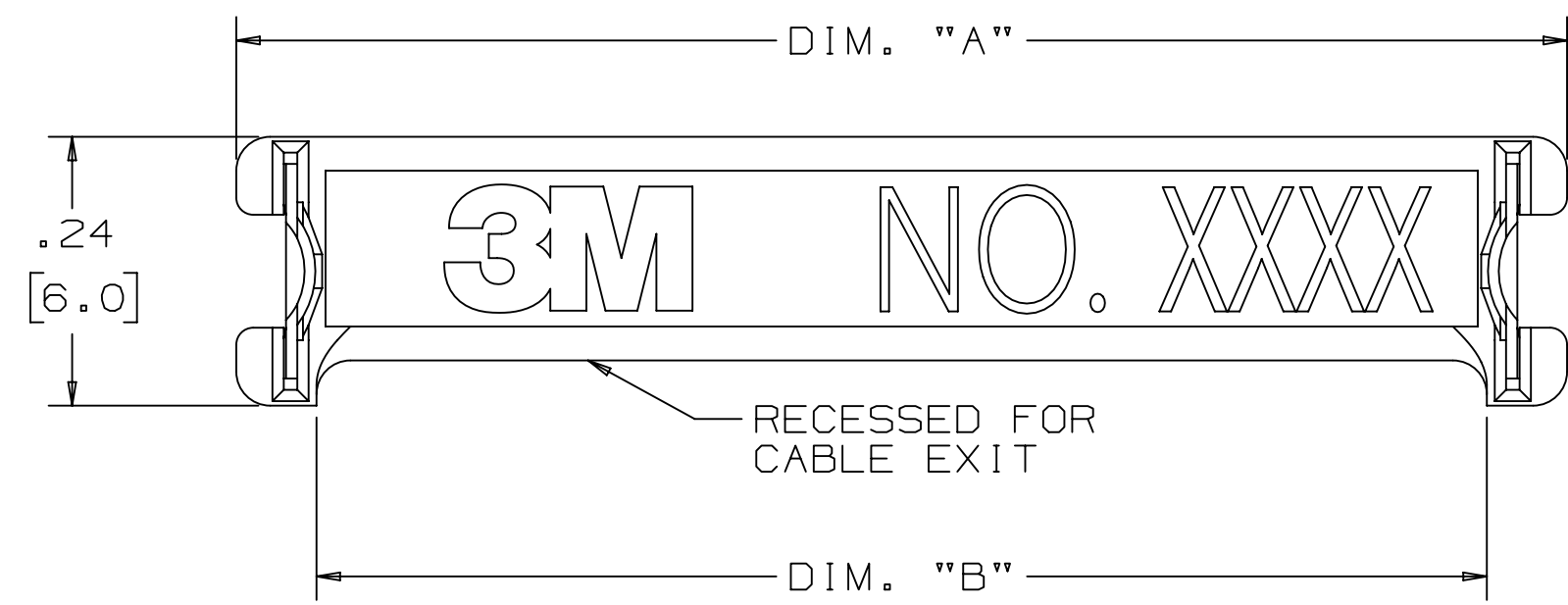
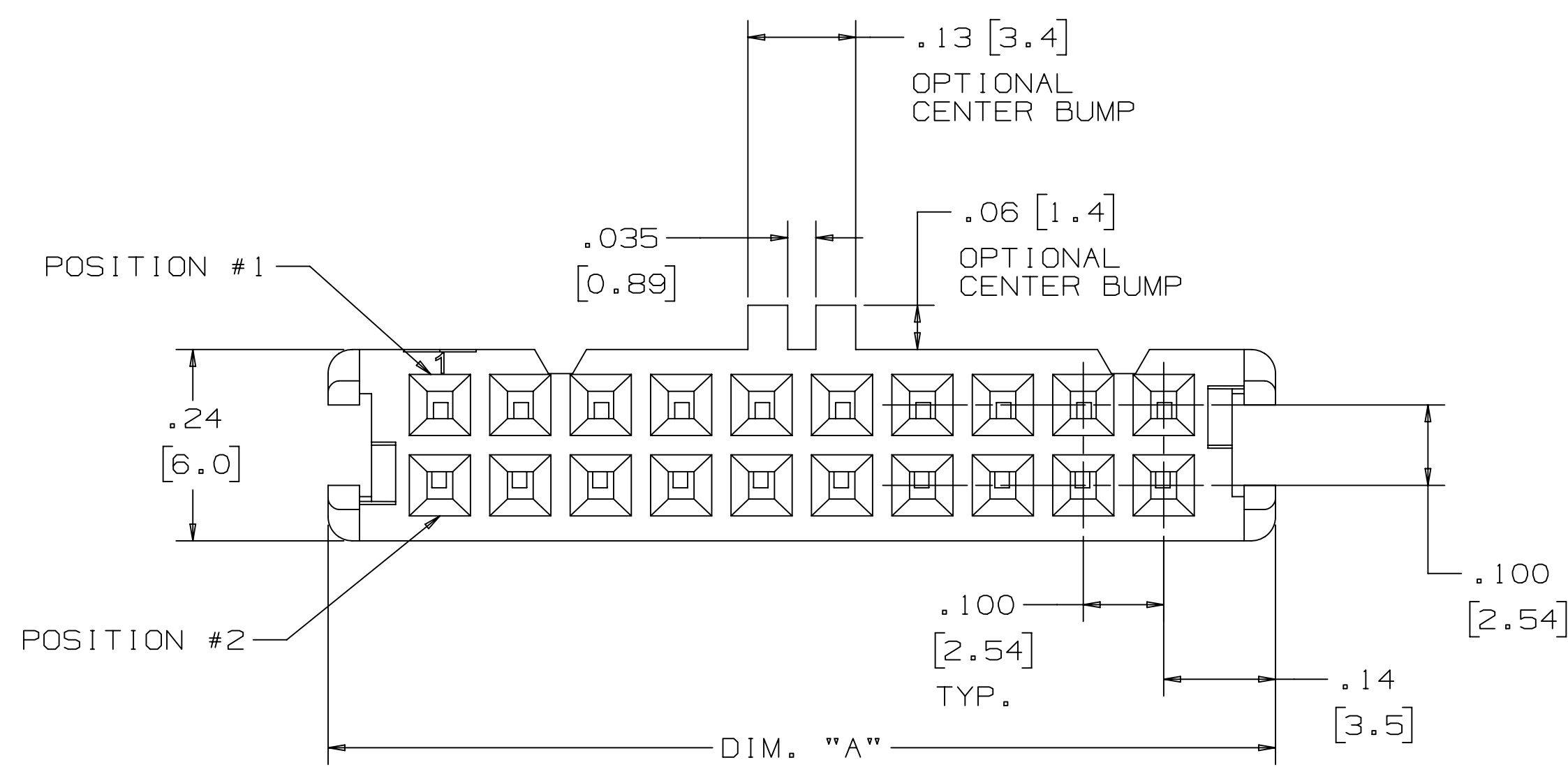
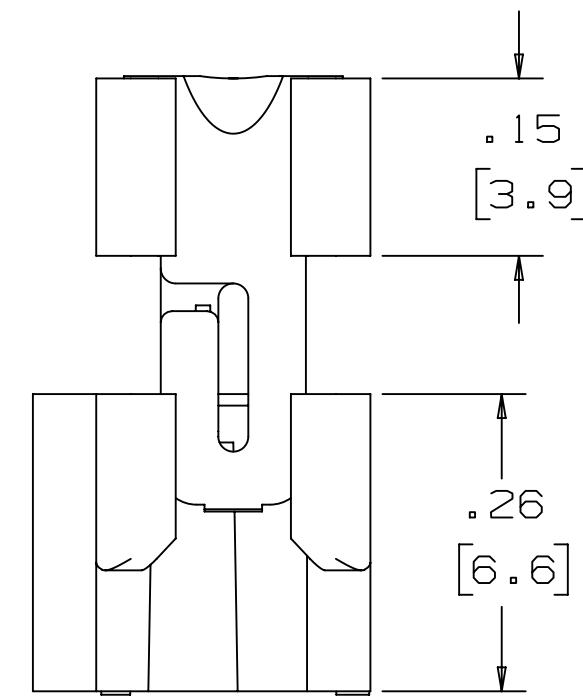
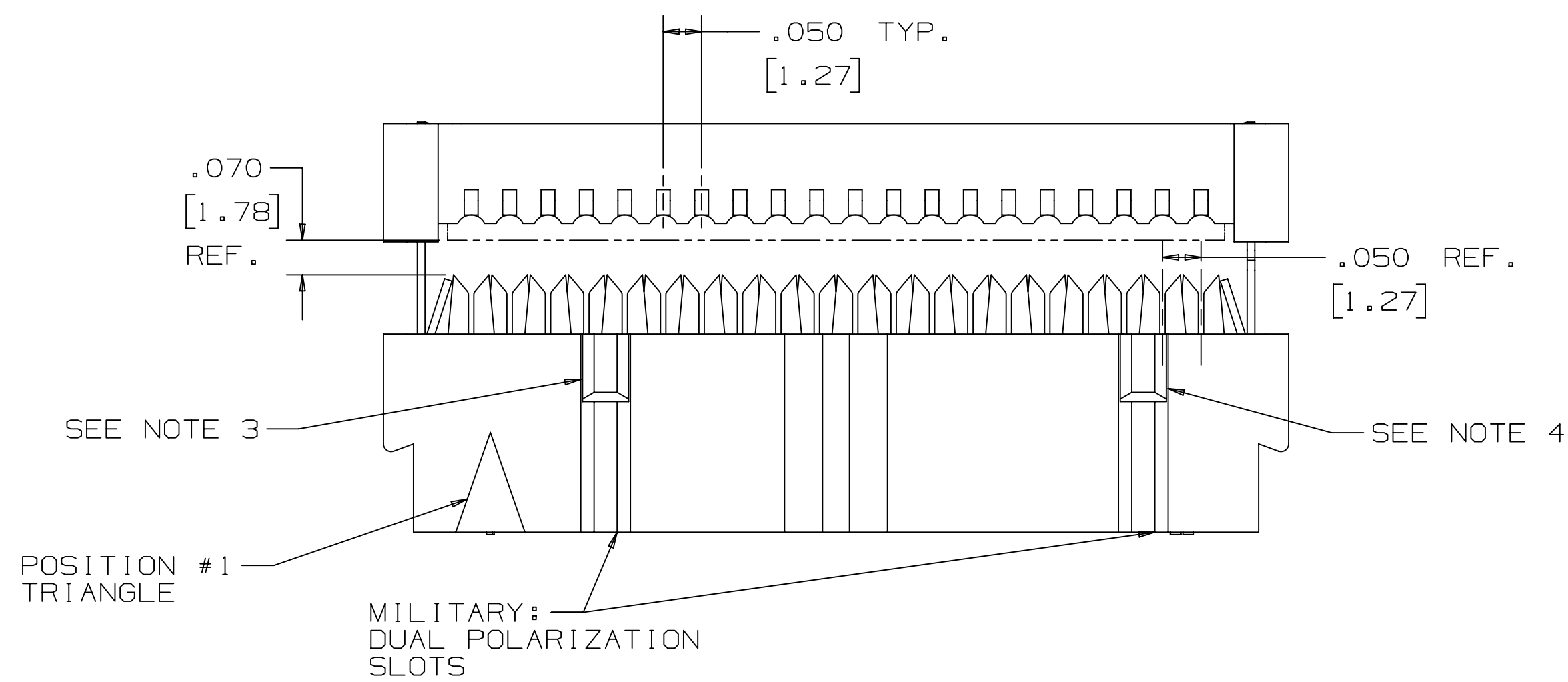


TABLE 1			
CONTACT QTY.	SOCKET SERIES	DIM. "A"	DIM. "B"
06	3863	0.48 [12.2]	0.34 [8.6]
08	3868	0.58 [14.7]	0.44 [11.2]
10	3473	0.68 [17.3]	0.54 [13.7]
14	3385	0.88 [22.4]	0.74 [18.8]
16	3452	0.98 [24.9]	0.84 [21.3]
20	3421	1.18 [30.0]	1.04 [26.4]
24	3626	1.38 [35.1]	1.24 [31.5]
26	3399	1.48 [37.6]	1.34 [34.0]
30	3419	1.68 [42.7]	1.54 [39.1]
34	3414	1.88 [47.8]	1.74 [44.2]
36	9436	1.98 [50.3]	1.84 [46.7]
40	3417	2.18 [55.4]	2.04 [51.8]
44	9444	2.38 [60.5]	2.24 [56.9]
50	3425	2.68 [68.1]	2.54 [64.5]
60	3334	3.18 [80.8]	3.04 [77.2]

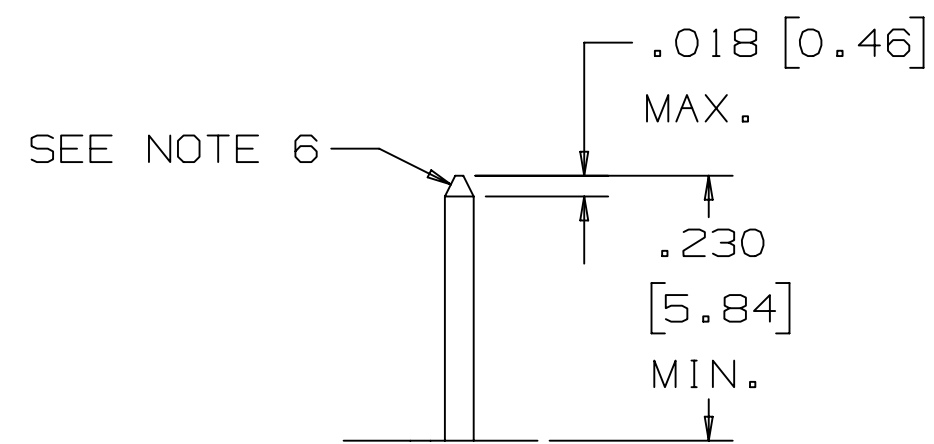
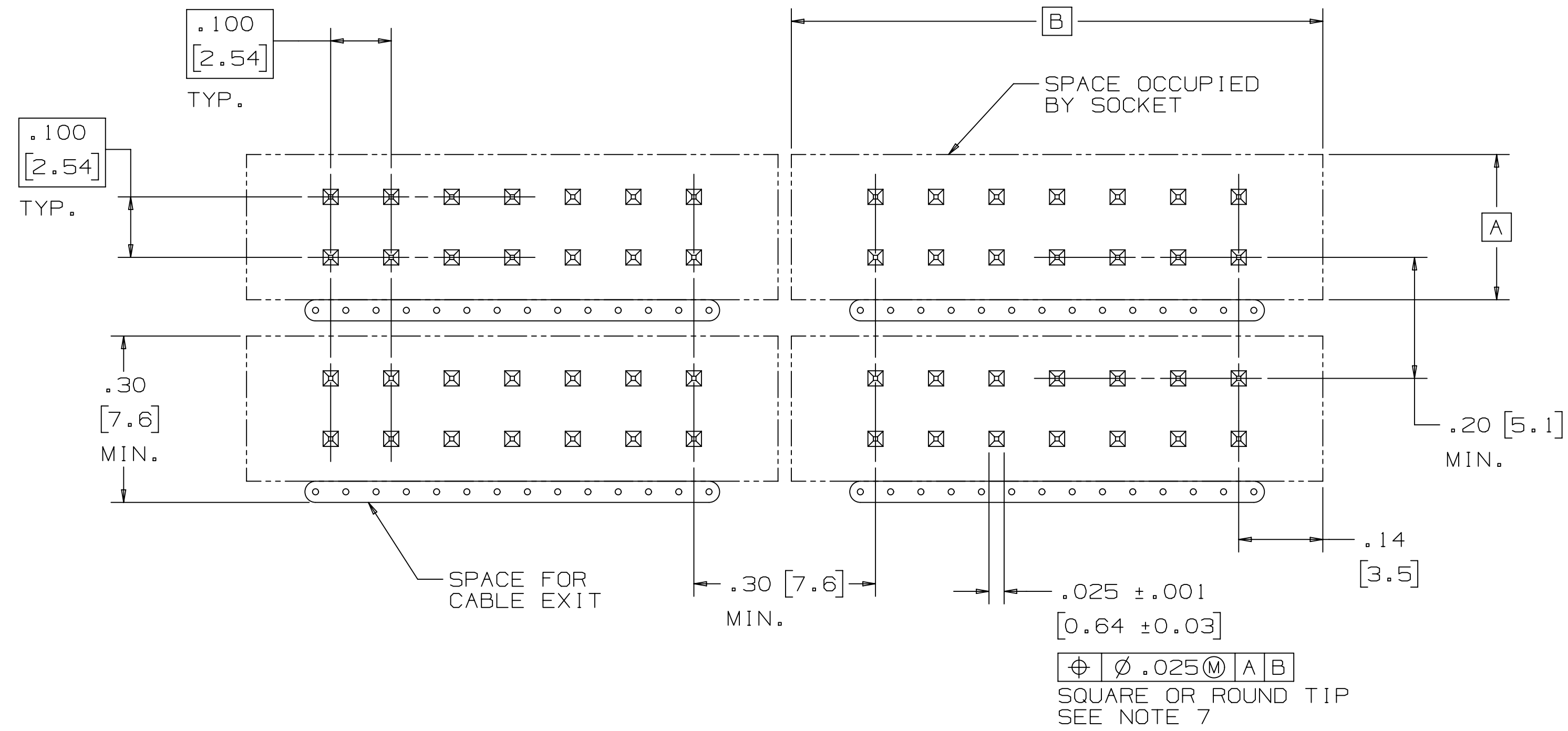


DESIGN REFERENCE	NEXT ASSEMBLY	REV	ECO	ISSUE DATE AND DESCRIPTION	DRFT	CHKD
				JUN 22, 2021 REVISED AND REDRAWN	JNC	SAN
APPROVED	DATE	DATE	DATE	DATE	DATE	DATE
CASTIGLIONE	JUN 22, 2021	MFG				
CHKD	DATE	APPV	DATE	DATE	DATE	DATE
		S. NEU	JUN 22, 2021			
DIVISION	DIVISION CODE	© 3M COPYRIGHT 2021 This document and the information it contains are 3M property and may not be reproduced or further distributed without 3M permission, or used or disclosed other than for 3M authorized purposes. All rights reserved.				
	EMSD	3M Center St. Paul, MN 55144				
DO NOT SCALE DRAWING	SCALE 6/1	TOLERANCES EXCEPT AS NOTED INCHES .0 ± .1 .00 ± .01 .000 ± .005 .0000 ± .0002 MILLIMETERS 0 ± .0 ± .00 ± .000 ± .000 ±				
THIRD ANGLE PROJECTION	INTERPRET PER ASME Y14.5 - 2018	TITLE WMT SKT, PREASS'Y, .100" X .100", .050" PITCH CABLE				
MAX SURFACE ROUGHNESS	MARKED ONLY	CAGE NUMBER	SIZE	DRAWING NO.	REV.	
		D		78-5100-0719-4	F	
		MODEL	3000	DET	IS1s	YES NO SHT 2 OF 4

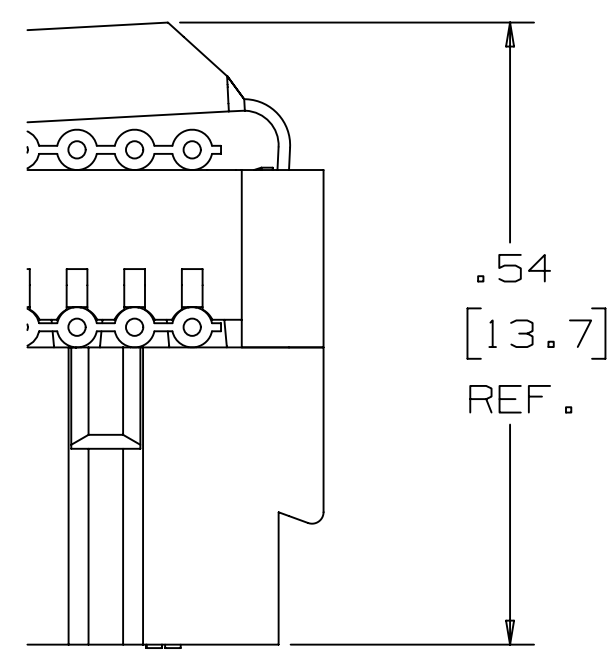
78-5100-0719-4
DRAWING NUMBER

A

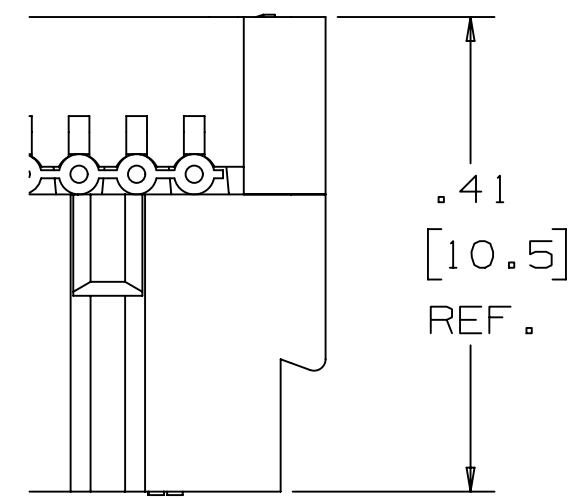
3M™ WIREMOUNT SOCKET PREASSEMBLED, 3000 SERIES
 .100" X .100" FOR .050" PITCH CABLE, (OPTIONAL PLASTIC OR METAL STRAIN RELIEF)



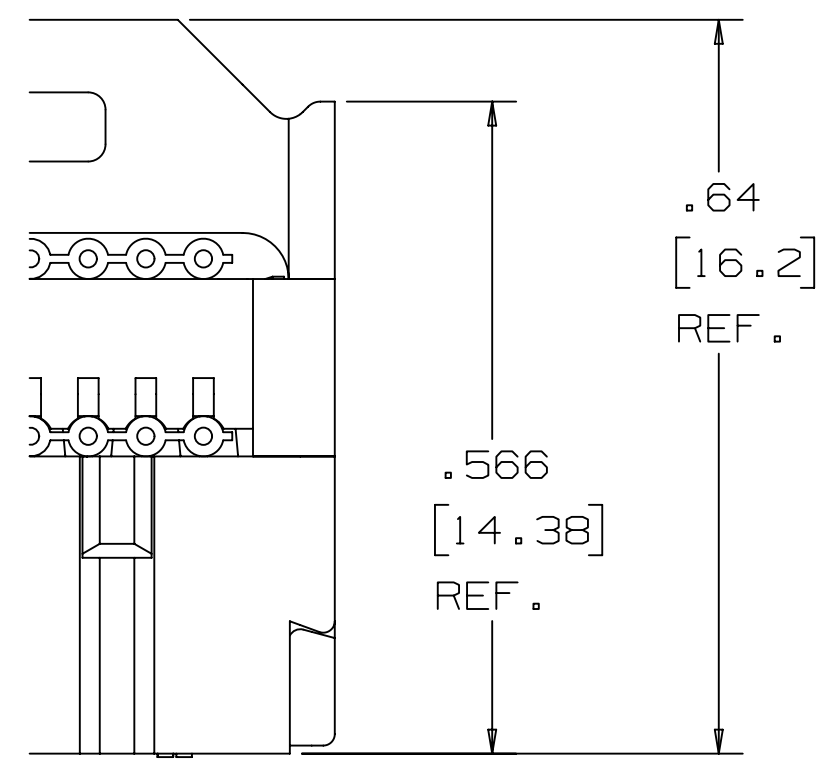
RECOMMENDED PIN PATTERN FOR STACKED CONFIGURATIONS



ASSEMBLED HEIGHT WITH METAL PROFILE STRAIN RELIEF



ASSEMBLED HEIGHT WITHOUT STRAIN RELIEF



ASSEMBLED HEIGHT WITH PLASTIC STRAIN RELIEF

DESIGN REFERENCE	NEXT ASSEMBLY	REV	ECO	ISSUE DATE AND DESCRIPTION	DRFT	CHKD
				JUN 22, 2021 REVISED AND REDRAWN	JNC	SAN
APPROVED	DATE	DATE	DATE	DATE	DATE	DATE
CASTIGLIONE	JUN 22, 2021	MFG				
CHKD	DATE	APPV	DATE	DATE	DATE	DATE
		S. NEU	JUN 22, 2021			
DIVISION	DIVISION CODE	© 3M COPYRIGHT 2021 This document and the information it contains are 3M property and may not be reproduced or further distributed without 3M permission, or used or disclosed other than for 3M authorized purposes. All rights reserved.				
DO NOT SCALE DRAWING	SCALE 6/1	TOLERANCES EXCEPT AS NOTED	3M 3M Center St. Paul, MN 55144			
THIRD ANGLE PROJECTION	INCHES .00 ± .01 .000 ± .005 .0000 ± .0002	MILLIMETERS 0 ±	TITLE WMT SKT, PREASS'Y, .100" X .100", .050" PITCH CABLE			
MAX. SURFACE ROUGHNESS	INTERPRET PER ASME Y14.5 - 2018	ALL SURFACES .00 ± .000 ±	CAGE NUMBER	SIZE	DRAWING NO.	REV.
MARKED ONLY		ANGLES ±	D78-5100-0719-4	D	78-5100-0719-4	F
			MODEL 3000	DET	IS1s	YES NO SHT 3 OF 4

3M™ WIREMOUNT SOCKET PREASSEMBLED, 3000 SERIES
 .100" X .100" FOR .050" PITCH CABLE, (OPTIONAL PLASTIC OR METAL STRAIN RELIEF)

Regulatory: For regulatory information about this product, visit 3M.com/regs or contact your 3M representative.

Technical Information: The technical information, recommendations and other statements contained in this document are based upon tests or experience that 3M believes are reliable, but the accuracy or completeness of such information is not guaranteed.

Product Use: Many factors beyond 3M's control and uniquely within user's control can affect the use and performance of a 3M product in a particular application. Given the variety of factors that can affect the use and performance of a 3M product, user is solely responsible for evaluating the 3M product and determining whether it is fit for a particular purpose and suitable for user's method of application.

Warranty, Limited Remedy, and Disclaimer: Unless an additional warranty is specifically stated on the applicable 3M product packaging or product literature, 3M warrants that each 3M product meets the applicable 3M product specification at the time 3M ships the product. 3M MAKES NO OTHER WARRANTIES OR CONDITIONS, EXPRESS OR IMPLIED, INCLUDING, BUT NOT LIMITED TO, ANY IMPLIED WARRANTY OR CONDITION OF MERCHANTABILITY OR FITNESS FOR A PARTICULAR PURPOSE OR ANY IMPLIED WARRANTY OR CONDITION ARISING OUT OF A COURSE OF DEALING, CUSTOM OR USAGE OR TRADE. If the 3M product does not conform to this warranty, then the sole and exclusive remedy is, at 3M's option, replacement of the 3M product or refund of the purchase price.

Limitation of Liability: Except where prohibited by law, 3M will not be liable for any loss or damage arising from the 3M product, whether direct, indirect, special, incidental or consequential, regardless of the legal theory asserted, including warranty, contract, negligence or strict liability.

3M Company
 Electronics Materials Solutions Division
 13011 McCallen Pass, Bldg. C
 Austin, TX 78753-5380
 1-800-225-5373
www.3M.com/interconnect

DESIGN REFERENCE		NEXT ASSEMBLY		REV	ECO	ISSUE DATE AND DESCRIPTION		DRFT	CHKD
97305						JUN 22, 2021		JNC	SAN
OFFT		DATE		MFG		DATE			
CASTIGLIONE		JUN 22, 2021		S. NEU		JUN 22, 2021			
DIVISION		DIVISION CODE		3M Center		© 3M COPYRIGHT 2021		This document and the information it contains are 3M property and may not be reproduced or further distributed without 3M permission, or used or disclosed other than for 3M authorized purposes. All rights reserved.	
DO NOT SCALE DRAWING		SCALE 8/1		TOLERANCES EXCEPT AS NOTED		3M St. Paul, MN 55144			
THIRD ANGLE PROJECTION		INCHES		MILLIMETERS		TITLE			
INTERPRET PER ASME Y14.5 - 2018		.00 ± .01 .000 ± .005 .0000 ± .0002		0 ± .00 ± .000 ±		WMT SKT, PREASS'Y, .100" X .100", .050" PITCH CABLE			
MAX SURFACE ROUGHNESS		MARKED SURFACES		CAGE NUMBER		DRAWING NO.		REV.	
✓ MARKED ONLY		ANGLES ±		D 78-5100-0719-4		F			
				MODEL 3000		DET. [] YES [X] NO		SHT 4 OF 4	

78-5100-0719-4
DRAWING NUMBER
Revision