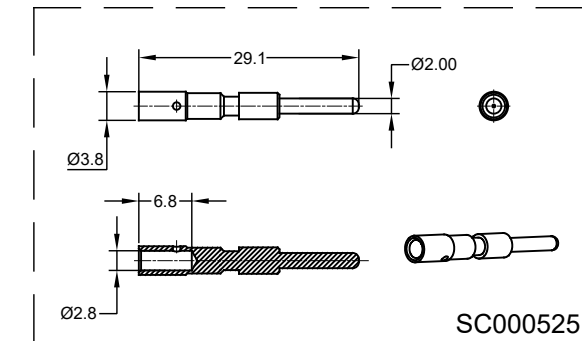
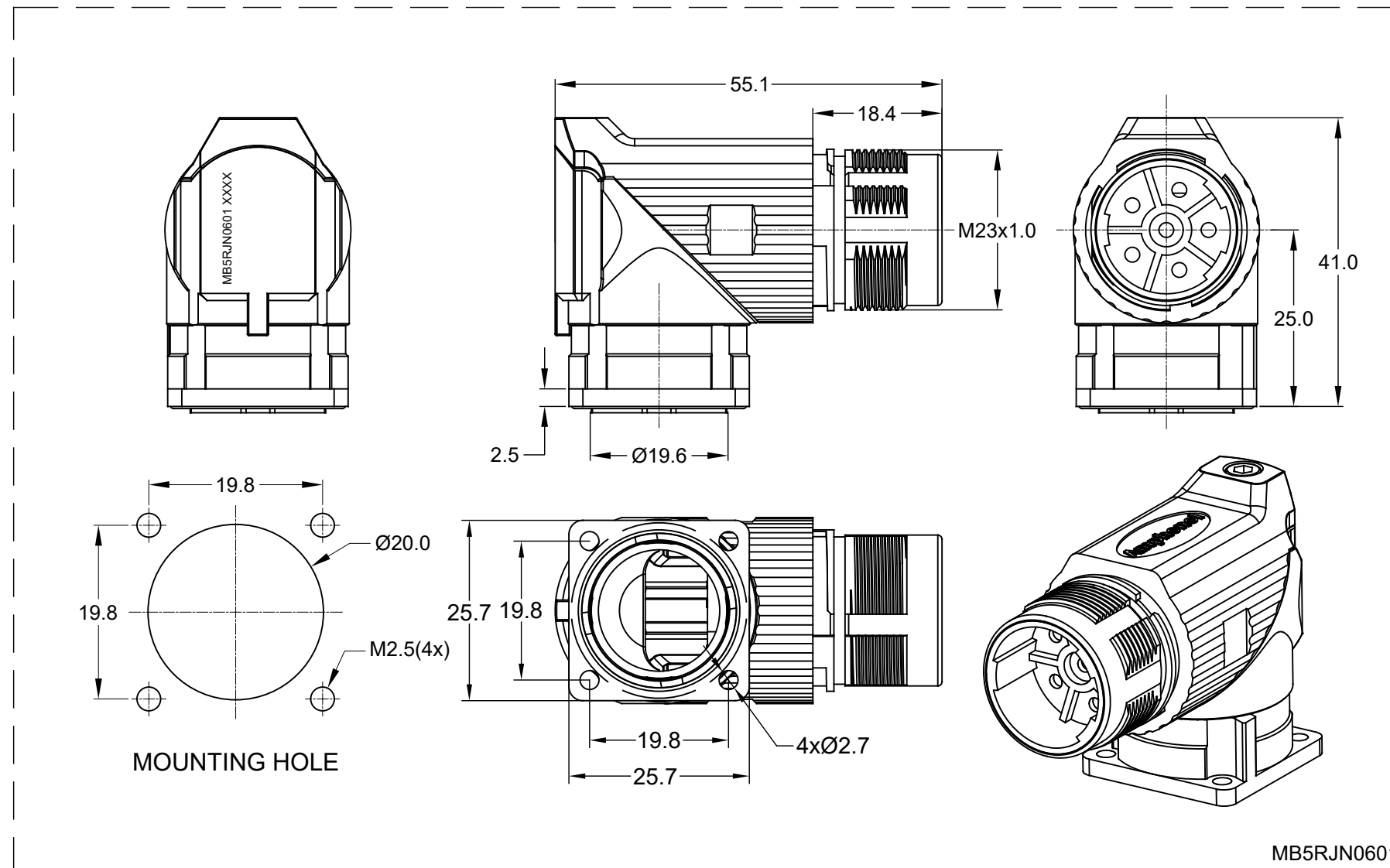


REVISIONS

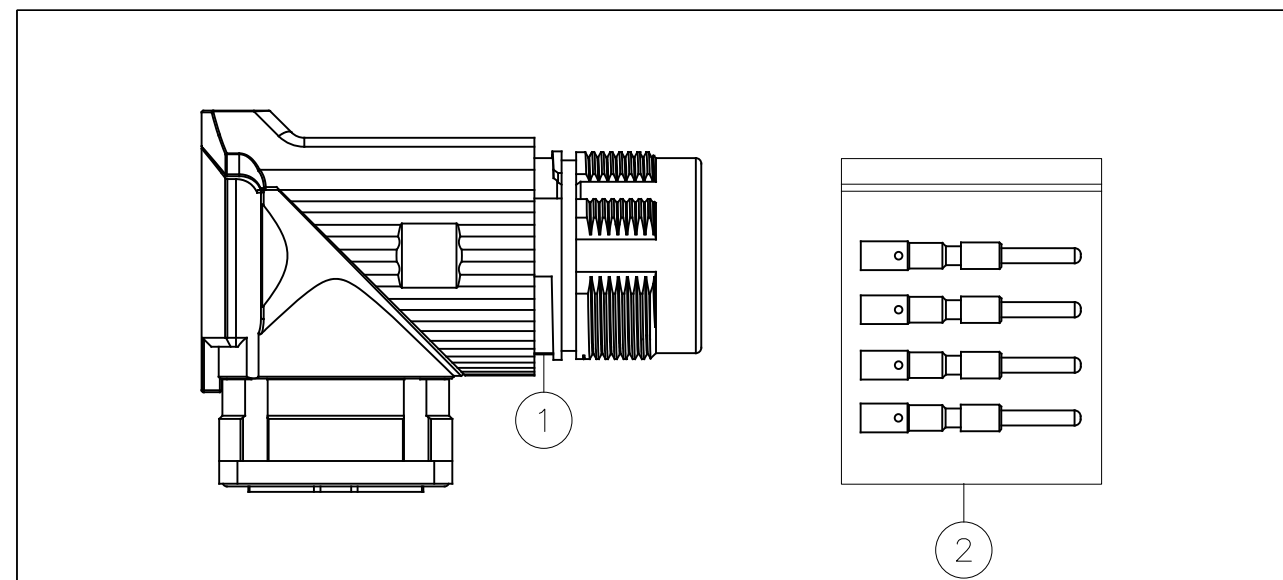
REV	ECO	DESCRIPTION	DATE	BY	APPR
A1	-	FIRST RELEASE	JAN-12-2018	WHITE	TOMMY
A2	-	UPDATE CONTACT PART NUMBER	NOV-23-2021	BLINK	TOMMY



NOTES: UNLESS OTHERWISE SPECIFIED

- MATERIAL:
  - INSULATION INSERT: PA66,UL94 V0
  - SEAL: VITON
  - HOUSING BODY: ZINC DIE CAST, NICKEL PLATED
  - CONTACT: COPPER ALLOY, GOLD PLATED
- SPECIFICATIONS:
  - 2.1 CURRENT RATING: 28 AMPS
  - 2.2 VOLTAGE RATING: 630V AC/DC
  - 2.3 OPERATING TEMPERATURE: -20°C TO +130°C
  - 2.4 DIELECTRIC WITHSTANDING VOLTAGE: LESS THAN 2 MILLIAMPS CURRENT LEAKAGE @ 6000 VOLTS AC.
  - 2.5 DEGREE OF PROTECTION: IP67 ( MATED CONDITION )
  - 2.6 DEGREE OF POLLUTION: 3 PER UL840
  - 2.7 OVERVOLTAGE CATEGORY: III PER UL840
  - 2.8 MATING CYCLE DURABILITY: >500 CYCLES
  - 2.9 RoHS COMPLIANT

3. ALL DIMENSIONS ARE FOR REFERENCE USE ONLY.



MB5RJN0601

QUANTITY	PART NUMBER	DESCRIPTION	ITEM
6	SC000525	CONTACT, PIN, Ø2.0mm,CRIMP 12~14AWG	2
1	MB5RJN0601	CONNECTOR	1

MATERIALS LIST

UNLESS OTHERWISE SPECIFIED 1) All dimensions are in metric(mm). 2) Tolerances are as follows: 1 PL DEC ±0.30 2 PL DEC ±0.15 3 PL DEC ±0.08 Fractions ±1/64 Angles ±1° 3) Note reference =		SIGNATURES DRAWN: BLINK CHECKED: ORION ENGINEER: APPROVAL: TOMMY	DATE NOV-23-2021 NOV-23-2021 NOV-23-2021	<h1>Amphenol</h1> <p>Sine Systems - www.amphenol-sine.com 44724 Morley Drive Clinton Township, MI 48036</p> <p>KIT,M23B,REC.,RA,6POS, FLANGE MOUNT,CHECKMATE</p>
MATERIAL SPECIFICATIONS:	CUSTOMER:	THIS DRAWING IS SUPPLIED FOR INFORMATION ONLY. DESIGN FEATURES, SPECIFICATIONS AND PERFORMANCE DATA SHOWN HEREON ARE THE PROPERTY OF THE AMPHENOL CORPORATION. NO RIGHTS OF REPRODUCTION ARE IMPLIED. ALL DIMENSIONS ARE SUBJECT TO NORMAL MANUFACTURING VARIATIONS.		
PROCESS SPECIFICATIONS:	SIZE: <b>B</b> TYPE: <b>C-</b> SCALE: <b>NONE</b>	DWG NO: <b>MB5RJN0601-KIT</b>	REVISION: <b>A2</b>	SHEET 1 OF 1

TITLE: KIT,M23B,REC.,RA,6POS,FLANGE MOUNT,CHECKMATE  
DWG NO: MB5RJN0601-KIT  
REV: A2  
SH: 1  
OF: 1