

**OBSOLETE PART**  
 EC NO: SH2011-0364 2011/06/10  
 DRAWN: XJ SONG 2011/06/10  
 CHKD:  
 APPR: RZHANG 2011/06/14

REV	DESCRIPTION	QUALITY SYMBOLS
1		$\nabla_A = 0$
2		$\nabla_C = 0$
3		$\nabla_B = 0$

GENERAL TOLERANCES (UNLESS SPECIFIED)	
mm	INCH
4 PLACES	± ---
3 PLACES	± ---
2 PLACES	± 0.15
1 PLACE	± 0.15
ANGULAR ± 2 °	
DRAFT WHERE APPLICABLE MUST REMAIN WITHIN DIMENSIONS	

DIMENSION STYLE	
MM ONLY	
DRAWN BY	DATE
JACK LIN	1998/08/06
CHECKED BY	DATE
WALLY WA	1998/08/06
APPROVED BY	DATE
MEGA LIN	1998/08/06
MATERIAL NO.	
67155-0001	

SCALE	DESIGN UNITS	THIRD ANGLE PROJECTION
2:1	METRIC	
TITLE		
50 CIRCUITS CF LOW PROFILE HEADER		
MOLEX INCORPORATED		SHEET NO.
DOCUMENT NO.		1 OF 3
THIS DRAWING CONTAINS INFORMATION THAT IS PROPRIETARY TO MOLEX INCORPORATED AND SHOULD NOT BE USED WITHOUT WRITTEN PERMISSION		

10 9 8 7 6 5 4 3 2 1

F

E

D

C

B

A

F

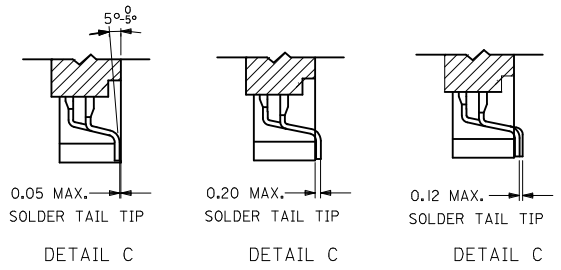
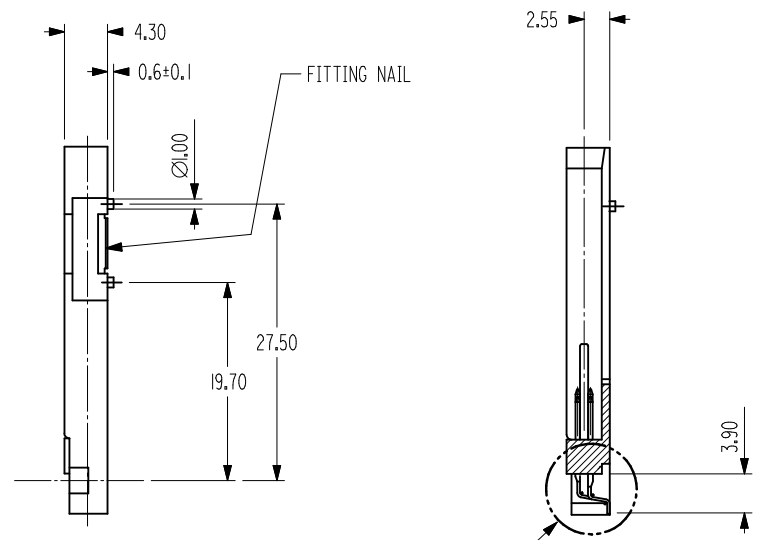
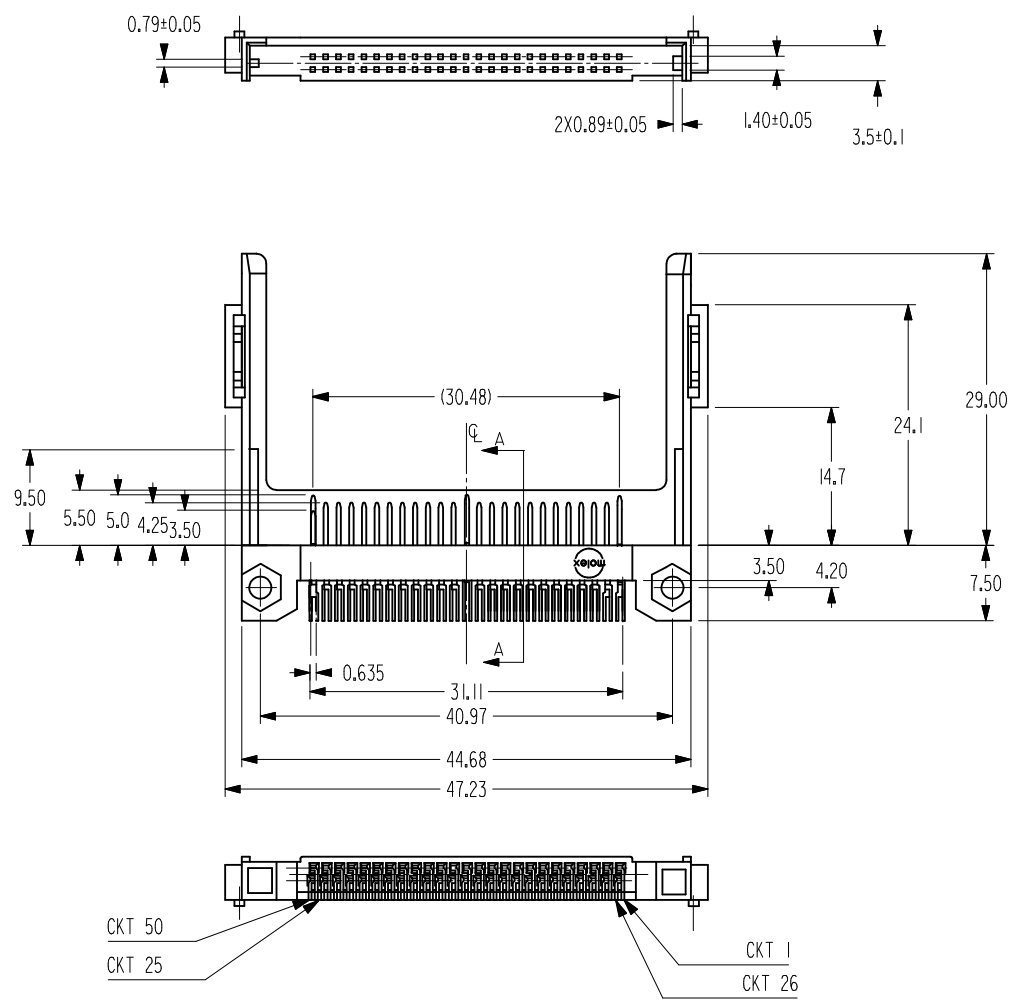
E

D

C

B

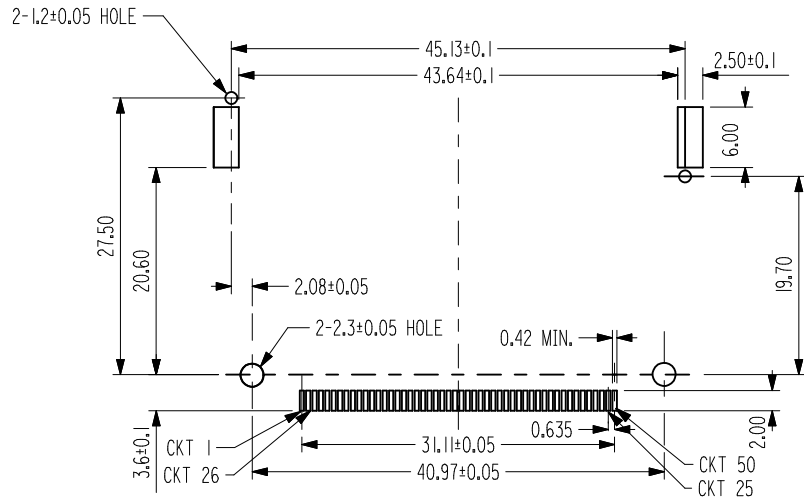
A



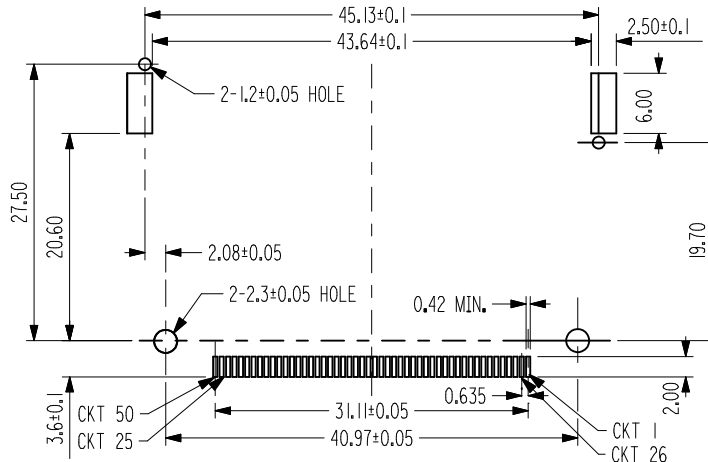
DETAIL C  
SEC A-A

SEE SHEET 1 EC NO: SH2011-0364 DRWN: XJ SONG CHKD: APPR: RZHANG	2011/06/10	2011/06/14	QUALITY SYMBOLS $F_A=0$ $F_C=0$ $F_P=0$	GENERAL TOLERANCES (UNLESS SPECIFIED)		DIMENSION STYLE MM ONLY		SCALE 2:1	DESIGN UNITS METRIC	THIRD ANGLE PROJECTION	
				mm	INCH	DRAWN BY JACK LIN	DATE 1998/08/06	TITLE 50 CIRCUITS OF LOW PROFILE HEADER			
				4 PLACES	± ---	± ---	CHECKED BY WALLY WA	DATE 1998/08/06			
				3 PLACES	± ---	± ---	APPROVED BY MEGA LIN	DATE 1998/08/06			
		2 PLACES	± 0.15	± ---	ANGULAR ± 2 °		MATERIAL NO. 67155-0002	MOLEX INCORPORATED			
		1 PLACE	± 0.15	± ---	DRAFT WHERE APPLICABLE MUST REMAIN WITHIN DIMENSIONS		DOCUMENT NO. SD-67155-001	SHEET NO. 2 OF 3			
						SIZE A3		THIS DRAWING CONTAINS INFORMATION THAT IS PROPRIETARY TO MOLEX INCORPORATED AND SHOULD NOT BE USED WITHOUT WRITTEN PERMISSION			

9 8 7 6 5 4 3 2 1



RECOMMENDED PCB LAYOUT  
REVERSE TYPE



RECOMMENDED PCB LAYOUT  
STANDARD TYPE

NOTES:

1. MATERIAL : HOUSING: HIGH TEMP PLASTIC, UL94 V-0, COLOR: IVORY  
TERMINAL: COPPER ALLOY
2. PLATING: CONTACT AREA: AU OVER PD-NI  
SOLDERING TAIL: TIN  
NICKEL OVERALL  
FITTING NAIL: TIN  
NICKEL OVERALL
3. RECOMMENDED PCB THICKNESS: 0.8MM

4. THE COPLANARITY OF SOLDER TAILS SHOULD BE WITHIN 0.12 MM
5. FOR PRODUCT SPECIFICATION: REFER TO PS-67155-003

PART NUMBER	DISCRIPTION	PACKAGING
67155-0001	REVERSE TYPE	TYAY
67155-0002	STANDARD TYPE	PK-67155-001
67155-0004	STANDARD TYPE WITH MYLAR	TAPE & REEL PK-67155-002

SEE SHEET1 IEC NO: SH2011-0364 TDR: WNAJ.SONG CHKD: APPR: RZ.HANG	2011/06/10 2011/06/14	QUALITY SYMBOLS $\nabla_F = 0$ $\nabla_E = 0$ $\nabla_D = 0$	GENERAL TOLERANCES (UNLESS SPECIFIED)		DIMENSION STYLE <b>MM ONLY</b>		SCALE <b>2:1</b>	DESIGN UNITS <b>METRIC</b>	THIRD ANGLE PROJECTION	
			mm      INCH	DRAWN BY JACK LIN	DATE 1998/08/06	TITLE <b>50 CIRCUITS CF LOW PROFILE HEADER</b>				
			4 PLACES ± --- ± --- 3 PLACES ± --- ± --- 2 PLACES ± 0.15 ± --- 1 PLACE ± 0.15 ± ---	CHECKED BY WALLY WA	DATE 1998/08/06	<b>MOLEX INCORPORATED</b>				
			ANGULAR ± 2 °	APPROVED BY MEGA LIN	DATE 1998/08/06					MATERIAL NO. <b>SEE TABLE</b>
DRAFT WHERE APPLICABLE MUST REMAIN WITHIN DIMENSIONS			THIS DRAWING CONTAINS INFORMATION THAT IS PROPRIETARY TO MOLEX INCORPORATED AND SHOULD NOT BE USED WITHOUT WRITTEN PERMISSION							