

Number of contacts

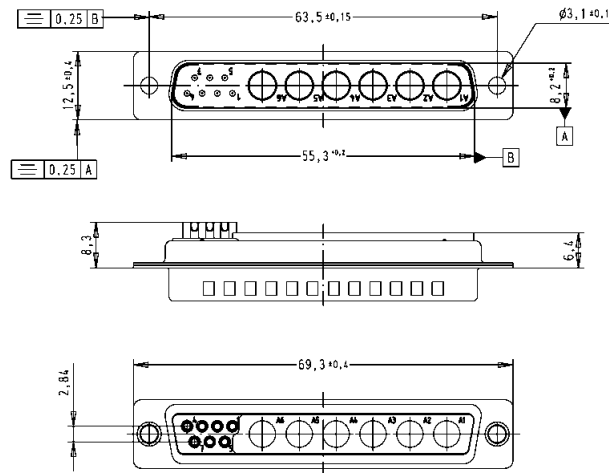
# 13



Mixed shells with pre-mounted signal solder cup contacts

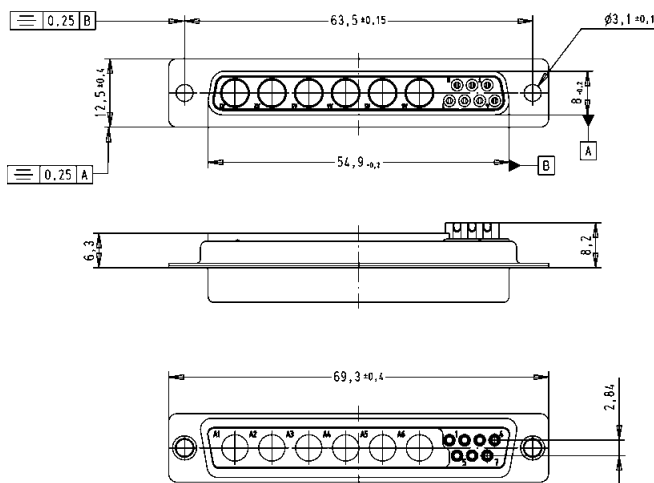
Identification	No. of contacts <sup>1)</sup>	Part number			
		male connectors		female connectors	
		Performance level 3	S4 <sup>2)</sup>	Performance level 3	S4 <sup>2)</sup>
	13W6	09 69 411 7136	09 69 411 5136	09 69 401 7136	09 69 401 5136

Male connectors



Solder cup termination for AWG 20 (0.5 mm<sup>2</sup>)

Female connectors



Solder cup termination for AWG 20 (0.5 mm<sup>2</sup>)

Dimensions in mm

<sup>1)</sup> Explanations see page 05.51  
<sup>2)</sup> S4 = 0.76 µm Au or PdNi equivalent  
 Board drillings see pages 05.78 ff

Order special contacts separately. See pages 05.69 ff

D-Sub