

THIS DRAWING CONTAINS INFORMATION THAT IS PROPRIETARY TO MOLEX ELECTRONIC TECHNOLOGIES, LLC AND SHOULD NOT BE USED WITHOUT WRITTEN PERMISSION										
SYMBOLS		DIMENSION UNITS		SCALE		CURRENT REV DESC: INITIAL RELEASE				
$\nabla$ = 0	IN/MM	2:1								
$\nabla$ = 0	GENERAL TOLERANCES (UNLESS SPECIFIED)									
$\nabla$ = 0		MM	INCH							
$\nabla$ = 0	4 PLACES	±	±			EC NO: 600506				
$\nabla$ = 0	3 PLACES	±	± 0.01			DRWN: SALHAMY 2018/06/15				
$\nabla$ = 0	2 PLACES	± 0.25	± 0.014			CHK'D: MKIPPER 2018/06/15				
$\nabla$ = 0	1 PLACE	± 0.36	±			APPR: FSMITH 2018/06/18				
$\nabla$ = 0	0 PLACES	±	±			INITIAL REVISION:				
$\nabla$ = 0	ANGULAR TOL	± 1.0 °				DRWN: AZAHIROVIC 2018/02/23				
$\nabla$ = 0	DRAFT WHERE APPLICABLE MUST REMAIN WITHIN DIMENSIONS			THIRD ANGLE PROJECTION		DRAWING	SERIES	MATERIAL NUMBER	CUSTOMER	SHEET NUMBER
$\nabla$ = 0						C-SIZE	1625	SEE CHART		1 OF 2

**molex**

.062 HOUSINGS, PLUG AND RECEPTACLE  
12 CIRCUIT, .145 CENTERS

PRODUCT CUSTOMER DRAWING

DOCUMENT NUMBER	DOC TYPE	DOC PART	REVISION
16251200-SD	PSD	000	A1

PLUG	
PART NO.	ENG. NO.
03-06-2121	1625-12P <sup>△6</sup>
03-06-7121	1625-12PBK <sup>△6</sup>
03-06-2122	1625-12P1
03-06-7122	1625-12P1BK

RECEPTACLE	
PART NO.	ENG. NO.
03-06-1121	1625-12R <sup>△6</sup>
03-06-6121	1625-12RBK <sup>△6</sup>
03-06-1122	1625-12R1

### RECEPTACLE LEGEND

1625 - 12 R \* \*\*

CIRCUIT SIZE  
R = RECEPTACLE

BLANK = WITH PREBENT MOUNTING EARS  
1 = WITHOUT EARS

COLOR:  
BLANK = NATURAL COLOR  
BK = BLACK

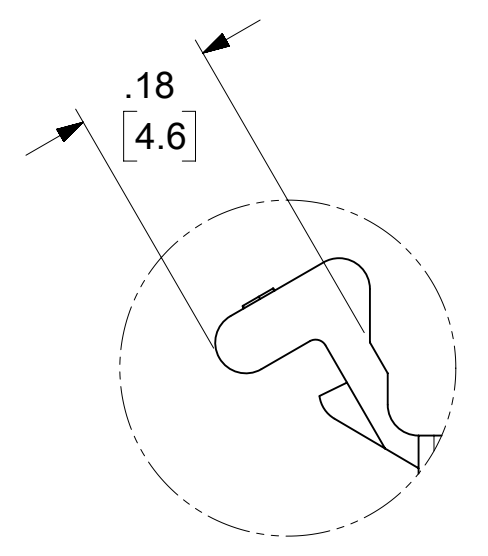
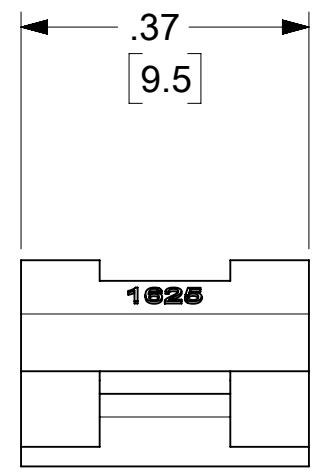
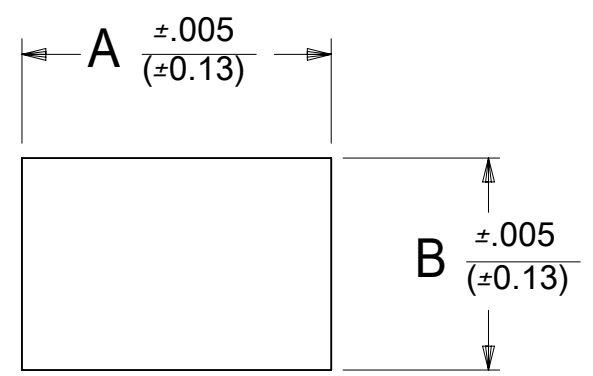
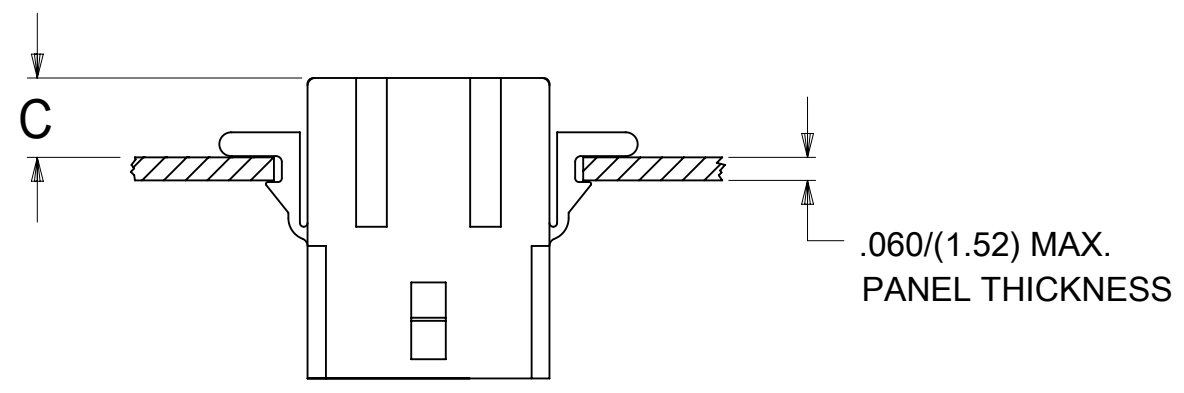
### PLUG LEGEND

1625 - 12 P \* \*\*

CIRCUIT SIZE  
P = PLUG

BLANK = WITH PREBENT MOUNTING EARS  
1 = WITHOUT EARS

COLOR:  
BLANK = NATURAL COLOR  
BK = BLACK



DETAIL A  
SCALE 4:1  
.062/(1.57) PREBENT MOUNT EAR

#### NOTES:

- MATERIAL: NYLON TYPE 6/6, 94V-2.
- FINISH: NONE
- PRODUCT SPECIFICATION: PS-02-06
- PACKAGING SPECIFICATION: PK-1625-003
- THIS HOUSING FOR USE WITH .062/(1.57) DIA. TERMINALS.
- <sup>△6</sup> WHERE DENOTED IN CHART. TOOLS ARE BUILT WITH PREBENT MOUNTING EARS PER DETAIL A AND SUPERSEDE ALL TOOLS PREVIOUSLY BUILT WITH THE STANDARD MOUNTING EARS.
- <sup>△7</sup> CIRCUIT I.D. NUMBERS APPEAR ON PARTS FROM TOOLS BUILT AFTER 2/1/93.
- THIS DRAWING REPLACES SD-1625-12\*.

#### RECOMMENDED HOLE PATTERN

RECEP.	.795/(20.19)	.563/(14.30)	.23/(5.8)
PLUG	.903/(22.94)	.614/(15.60)	.22/(5.5)
PART	DIM. A	DIM. B	DIM. C

SYMBOLS		THIS DRAWING CONTAINS INFORMATION THAT IS PROPRIETARY TO MOLEX ELECTRONIC TECHNOLOGIES, LLC AND SHOULD NOT BE USED WITHOUT WRITTEN PERMISSION		CURRENT REV DESC: INITIAL RELEASE	
<sup>△6</sup> = 0	IN/MM	SCALE	4:1		
<sup>△7</sup> = 0	GENERAL TOLERANCES (UNLESS SPECIFIED)				
<sup>△8</sup> = 0		MM	INCH	EC NO: 600506 DRWN: SALHAMY 2018/06/15 CHK'D: MKIPPER 2018/06/15 APPR: FSMITH 2018/06/18	
<sup>△9</sup> = 0	4 PLACES	±	±	INITIAL REVISION:	
<sup>△10</sup> = 0	3 PLACES	±	± 0.01	DRWN: AZAHIROVIC 2018/02/23	
<sup>△11</sup> = 0	2 PLACES	±	± 0.014	APPR:	
<sup>△12</sup> = 0	1 PLACE	±	± 0.36	DOCUMENT NUMBER: 16251200-SD DOC TYPE: PSD DOC PART: 000 REVISION: A1	
<sup>△13</sup> = 0	0 PLACES	±	±	MATERIAL NUMBER: SEE CHART CUSTOMER:	
<sup>△14</sup> = 0	ANGULAR TOL	±	± 1.0 °	SHEET NUMBER: 2 OF 2	
<sup>△15</sup> = 0	DRAFT WHERE APPLICABLE MUST REMAIN WITHIN DIMENSIONS		THIRD ANGLE PROJECTION	DRAWING	SERIES
				C-SIZE	1625