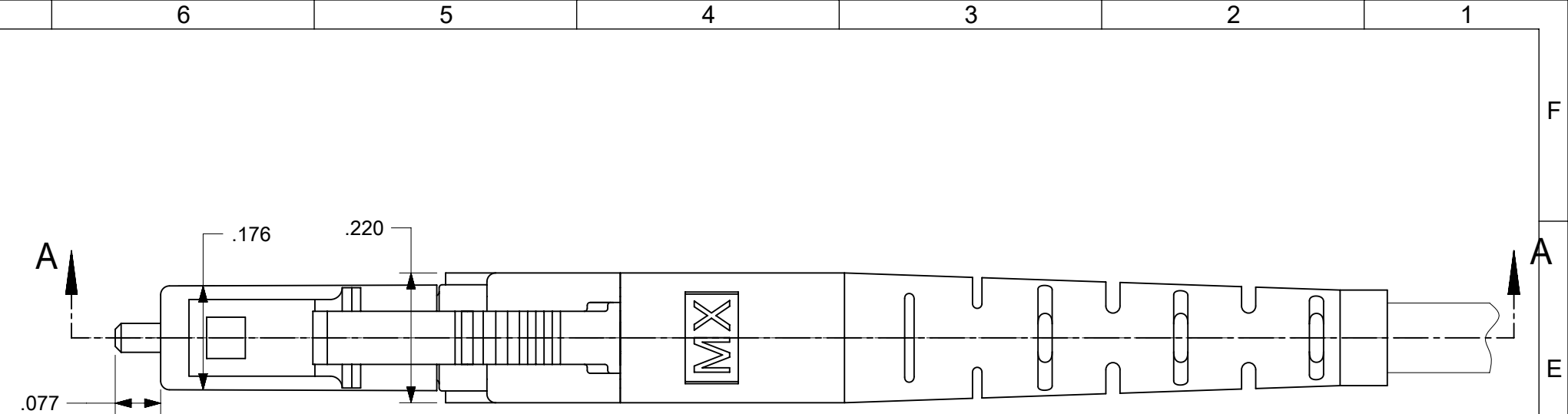
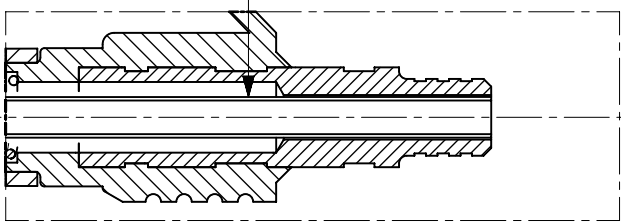


CONNECTOR P/N	ØD (µm)	Ød (µm)	FERRULE MATERIAL	CONN.BODY COLOR	CONN.BOOT COLOR	CABLE TYPE
106024-2250	125.5	1	ZR	BLUE	WHITE	SINGLE MODE
106024-3250	127	3		BEIGE		MUTIMODE
106024-3260	127	1		BLUE		SINGLE MODE
106024-4250	125					
106024-5250	126					
106024-5251	126	0.5	LOW COST ZR	BEIGE	MUTIMODE	
106024-6250	125.25				BLUE	SINGLE MODE
106024-2270	125.5	0.5				
106024-3259	127	3				
106024-5259	126	1				

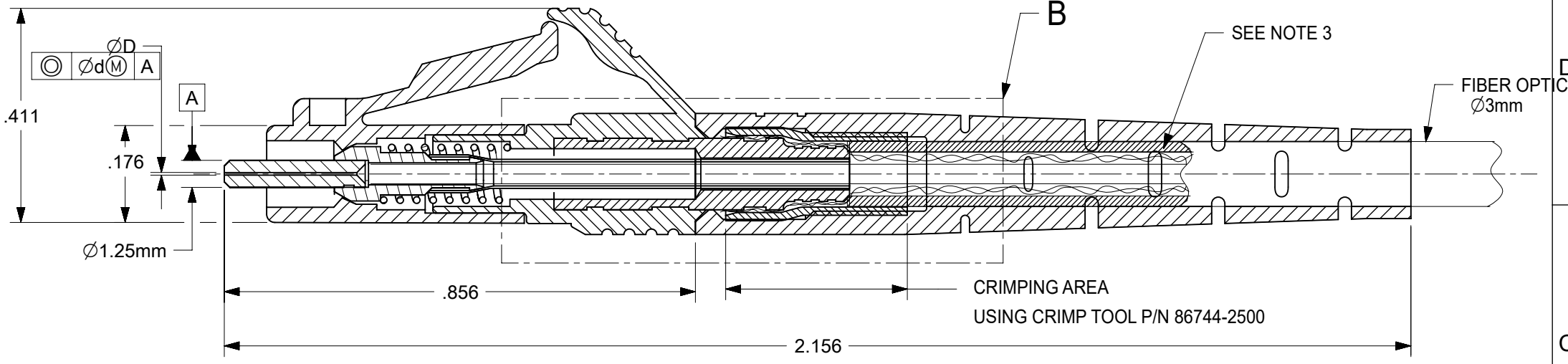


TUBING (NEED SHORTENED)
P/N 86024-2012
(SEE NOTE 2)

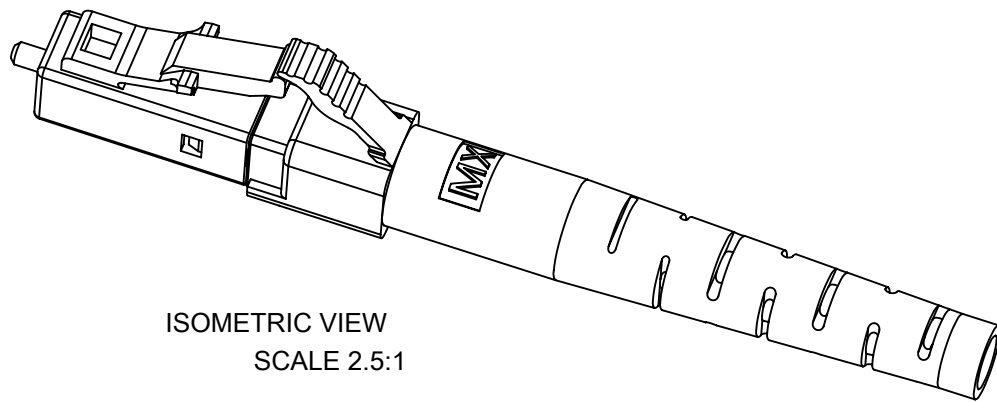


DETAIL B

BOOT (ITEM 2) AND CRIMP TUBING (ITEM 3)
ARE NOT SHOWN



SECTION A-A



ISOMETRIC VIEW
SCALE 2.5:1

- NOTES:
1. ALL DIMENSION ARE FOR REFERENCE ONLY.
 2. DUST CAP NOT SHOWN.
 3. P/N 106024-5251 AND 106024-3260 ARE BULK PACKAED IN QUANTITY OF 100 PIECES.
 4. TUBING (SEE DETAIL B) MUST BE SHORTENED AFTER FILLING THE EPOXY ACCORDING TO THE TERMINATION PROCEDURE P/N PS-86028-2000

THIS DRAWING CONTAINS INFORMATION THAT IS PROPRIETARY TO MOLEX ELECTRONIC TECHNOLOGIES, LLC AND SHOULD NOT BE USED WITHOUT WRITTEN PERMISSION									
DIMENSION UNITS INCH		SCALE 4:1		CURRENT REV DESC:				molex	
GENERAL TOLERANCES (UNLESS SPECIFIED)		ANGULAR TOL ± 0.5°		EC NO: 695254					
4 PLACES ±		3 PLACES ±		DRWN: JHUANG18		2022/02/16		LC CONNECTOR 3MM CABLE APPLICATION	
2 PLACES ±		1 PLACE ±		CHKD: IGUMIN		2022/04/29		PRODUCT CUSTOMER DRAWING	
0 PLACES ±		DRAFT WHERE APPLICABLE MUST REMAIN WITHIN DIMENSIONS		APPR: IGUMIN		2022/04/29		DOCUMENT NUMBER	
THIRD ANGLE PROJECTION		DRAWING		INITIAL REVISION:		2006/02/07		SD-106024-X250	
B-SIZE		SERIES		DRWN: PGIBLIN		2006/02/07		PSD 001 B2	
MATERIAL NUMBER		CUSTOMER		APPR: IGUMIN		106024		SEE TABLE	
GENERAL MARKET		SHEET NUMBER		1 OF 1					