

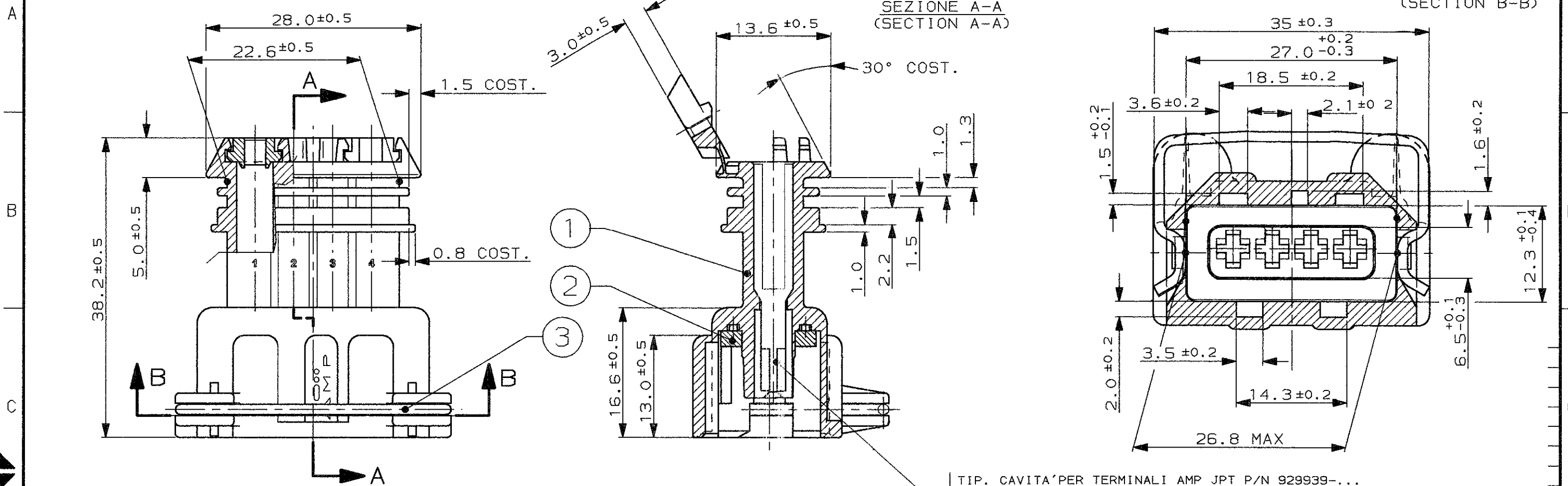
CONNETTORE TIPO A (CON MOLLA DI RITEGNO ESTERNA)
CONNECTOR TYPE A (WITH EXTERNAL SPRING)

SCALA NON IMPEGNATIVA
(DO NOT SCALE)
DIMENSIONI IN mm
(DIMENSIONS IN)

METRIC

PROIEZIONE EUROPEA
(EUROPEAN PROJECTION)

SEZIONE B-B
(SECTION B-B)

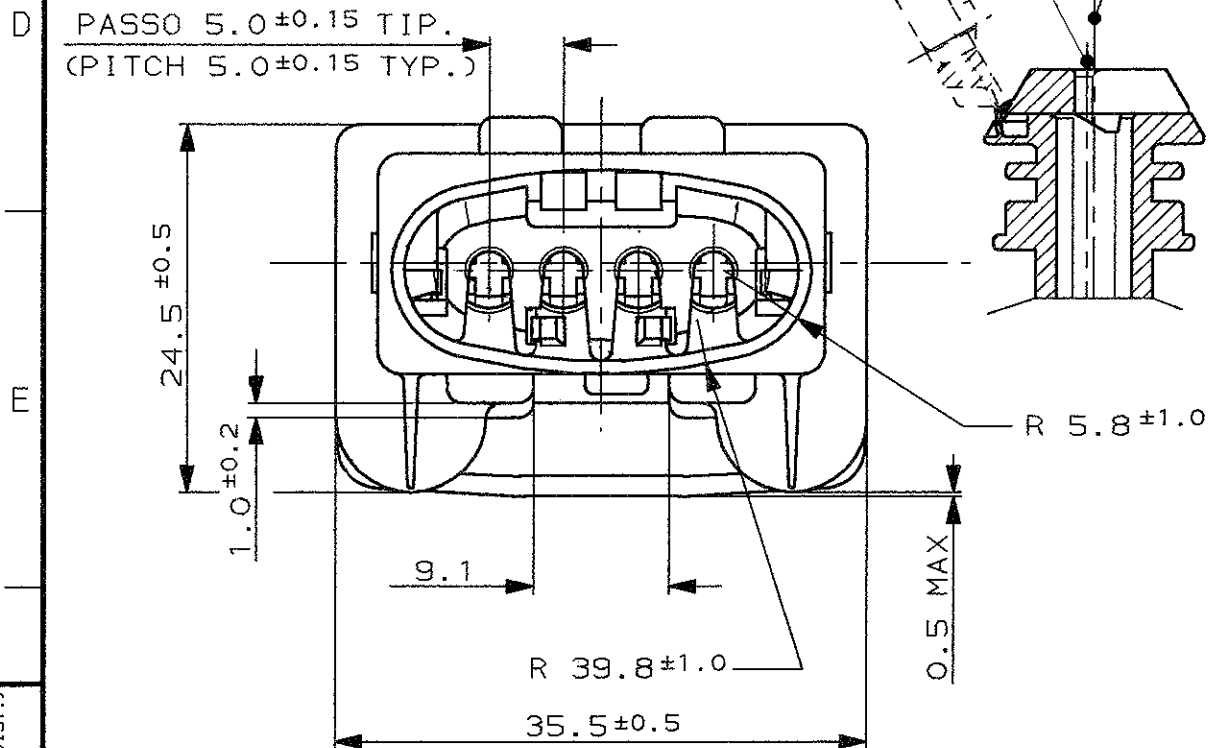


TIP. CAVITA' PER TERMINALI AMP JPT P/N 929939-...
OPPURE 929937-... E RELATIVI GOMMINI
AMP P/N 828904-1, 828905-1, 282536-1.
TAPPO CAVITA' P/N 828906-2
(TYP. CAV. FOR JPT CONT. P/N 929939-... A/O 929937-... AND REL.
SINGLE WIRE SEAL P/N 828904-1, 828905-1, 282536-1
CAVITY PLUG P/N 828906-2)

ASSE CONNETTORE
(CONNECTOR CENTER LINE)

ASSE CAVITA'
(CAVITY CENTER LINE)

PASSO 5.0±0.15 TIP.
(PITCH 5.0±0.15 TYP.)

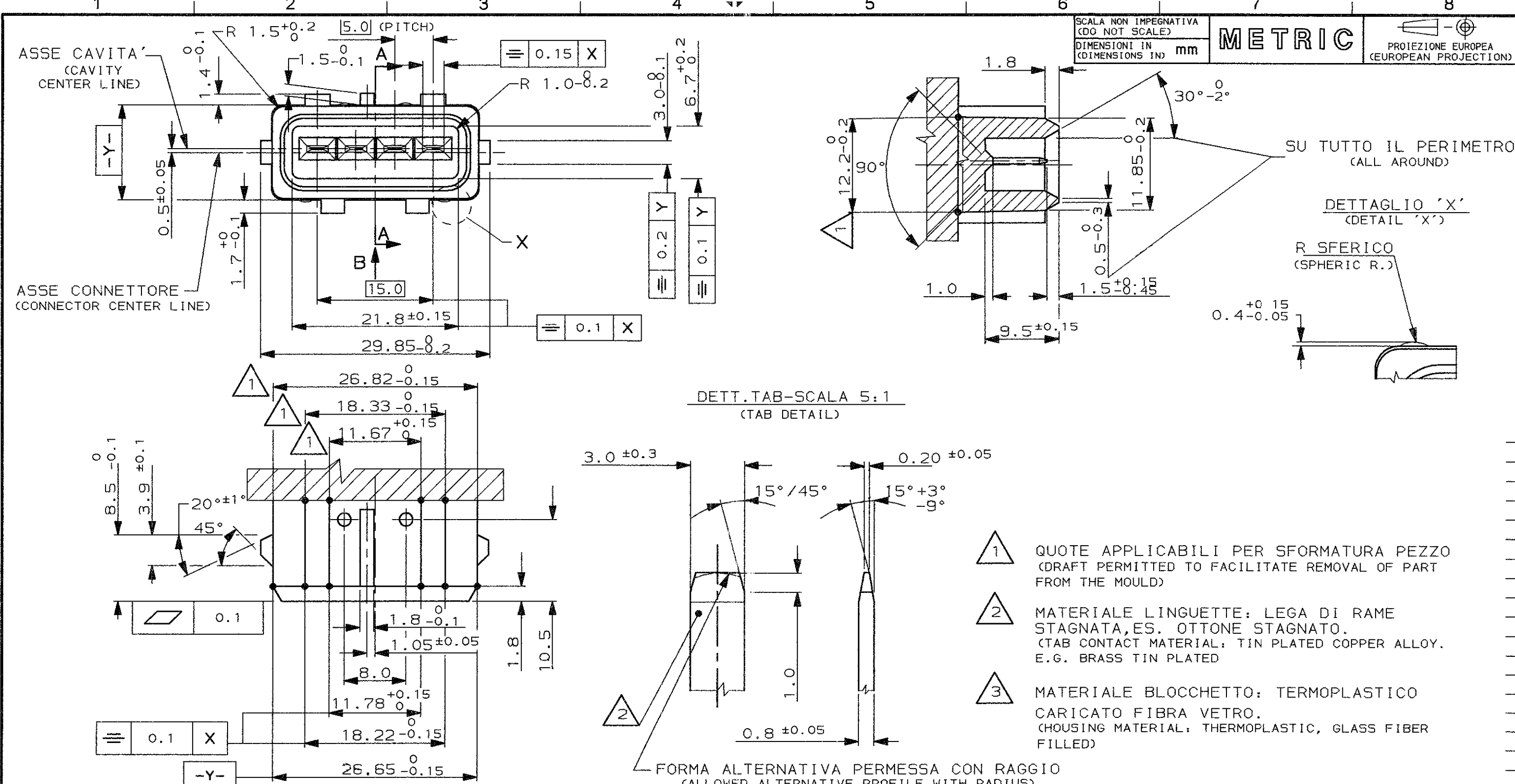


ROSSO (RED)	-----					
GIALLO (YELLOW)	-----					
MARRONE (BROWN)	-----					
BLU (BLUE)	-----		3	\\\\\\\\\\\\	ACCIAIO INOX (STAINLESS STEEL)	
VERDE (GREEN)	-----					
NATURALE (NATUR)	-----		2	NATURALE (NATURAL)	GOMMA (RUBBER)	
GRIGIO (GREY)	282342-1	F	1	\\\\\\\\\\\\	PA 6.6	
NERO (BLACK)	-----				BLOCCHETTO (HOUSING)	
COLORE COLOR	NUMERO PART. N°	ASSY REV.	N° (ITEM)	FINITURA / COLORE (FINISH / COLOUR)	MATERIALE (MATERIAL)	DESCRIZIONE (DESCRIPTION)

CUSTOMER DWG. FOR REFERENCE ONLY
DISEGNO PER CLIENTE SOLO PER RIFERIMENTO

N	ECR-14-003472	MP	24MAR 2014	THIS DRAWING IS UNPUBLISHED RELEASE FOR PUBLICATION 19		
M1	REVISED PER ECR-09-015789	M.G.	3-8 2009	© COPYRIGHT 19 BY AMP INCORPORATED, HARRISBURG, PA. ALL INTERNATIONAL RIGHT RESERVED. AMP PRODUCTS MAY BE COVERED BY U.S. AND FOREIGN PATENT AND/OR PATENT PENDING		
M	REVISED FOR ET00-0385-99	M.P.	2-4 01	TOLLERANZE, SE NON DIVERSAMENTE SPECIFICATO (TOLERANCES, UNLESS OTHERWISE SPECIFIED)	DIAM. ISOLANTE (INS. DIA. RANGE) 1.5-3.0 (REDUCED INS. CABLE)	RANGO FILO (WIRE RANGE) 0.5-2.5 mm ²
L	AGGIOR. CON ET00-0221-96 REVISED FOR ET00-0221-96	A.F.	27-5 '96	± 0.3	***	
C	AGGIOR. CON ET00-0108-95 REVISED FOR ET00-0108-95	M.P.	11-5 '95	ANGOLI (ANGLES) ± 2°	Tyco Electronics Tyco Electronics AMP Italia S.r.l. Corso F.lli Cervi 15, Collegno (TO)	
B	AGG. FOGLIO 2 (ADDED SH.2)	R.M.	3-9 '92	DIS. 11 APR 91 (DR.) R. MARTINI	DESCRIZIONE (DESCRIPTION) 4 W. SPLASH PROOF CONN. ASS'Y with SPEC. POLARIZATION AND SEC. LOCK	
A	IN PRODUZIONE (IN PRODUCTION)	R.M.	13-10 '92	CONT. 13 OCT 92 (CHK) C. TARTARI	LOC. SIZE NUMERO (DWG NO)	REV. FOGLIO (SHEET)
1	P/N WAS C-91-5106B-2	R.M.	2-3 '92	APP. (DATE)	I A3 C-282342	1 DI (OF) 2
REV. (REV.)	REVISIONI (REVISION RECORD)	DIS. (DR)	DATA (DATE)	APP. (DATE)		

DISTRIBUZIONE (PRINT DIST.)



SCALA NON IMPEGNATIVA (DO NOT SCALE)
 DIMENSIONI IN mm (DIMENSIONS IN mm)
METRIC
 PROIEZIONE EUROPEA (EUROPEAN PROJECTION)

DETT. TAB-SCALA 5:1 (TAB DETAIL)

- 1 QUOTE APPLICABILI PER SFORMATURA PEZZO (DRAFT PERMITTED TO FACILITATE REMOVAL OF PART FROM THE MOULD)
- 2 MATERIALE LINGUETTE: LEGA DI RAME STAGNATA, ES. OTTONE STAGNATO. (TAB CONTACT MATERIAL: TIN PLATED COPPER ALLOY. E.G. BRASS TIN PLATED)
- 3 MATERIALE BLOCCHETTO: TERMOPLASTICO CARICATO FIBRA VETRO. (HOUSING MATERIAL: THERMOPLASTIC, GLASS FIBER FILLED)

FORMA ALTERNATIVA PERMESSA CON RAGGIO (ALLOWED ALTERNATIVE PROFILE WITH RADIUS)

FINITURA / COLORE (FINISH / COLOUR)	MATERIALE (MATERIAL)	NUMERO (PART NUMBER)
CUSTOMER DWG. FOR REFERENCE ONLY		DISEGNO PER CLIENTE SOLO PER RIFERIMENTO
THIS DRAWING IS UNPUBLISHED		RELEASE FOR PUBLICATION 19
© COPYRIGHT 19 BY AMP INCORPORATED, HARRISBURG, PA. ALL INTERNATIONAL RIGHT RESERVED. AMP PRODUCTS MAY BE COVERED BY U.S. AND FOREIGN PATENT AND/OR PATENT PENDING		
TOLLERANZE, SE NON DIVERSAMENTE SPECIFICATO (TOLERANCES, UNLESS OTHERWISE SPECIFIED)	DIAM. ISOLANTE (INS. DIA. RANGE)	RANGO FILO (WIRE RANGE)
± 0.3	---	---
ANGOLI (ANGLES)	Tyco Electronics Tyco Electronics AMP Italia S.r.l. Corso F.lli Cervi 15, Collegno (TO)	
DIS. (DR.)	DESCRIZIONE (DESCRIPTION)	
CONT. (CHK)	4 POS. SPLASH PROOF CONN. ASS'Y w. SPEC. POLARIZATION AND SEC. LOCK	
APP. (CAP)	LOC. SIZE	NUMERO (DWG NO)
REV. (REV.)	REV. (REV.)	FOLIO (SHEET)
REVISIONI (REVISION RECORD)	DIS. DATA (DR. DATE)	2 DI (2 OF)
SEE SHEET 1 OF 2		IA3 C-282342 N 2

DISTRIBUZIONE (PRINT DIST.)