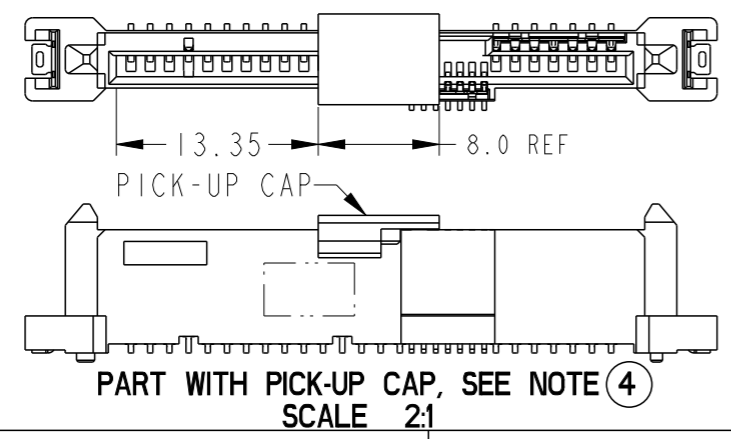
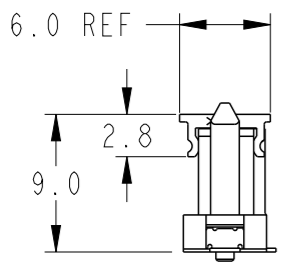
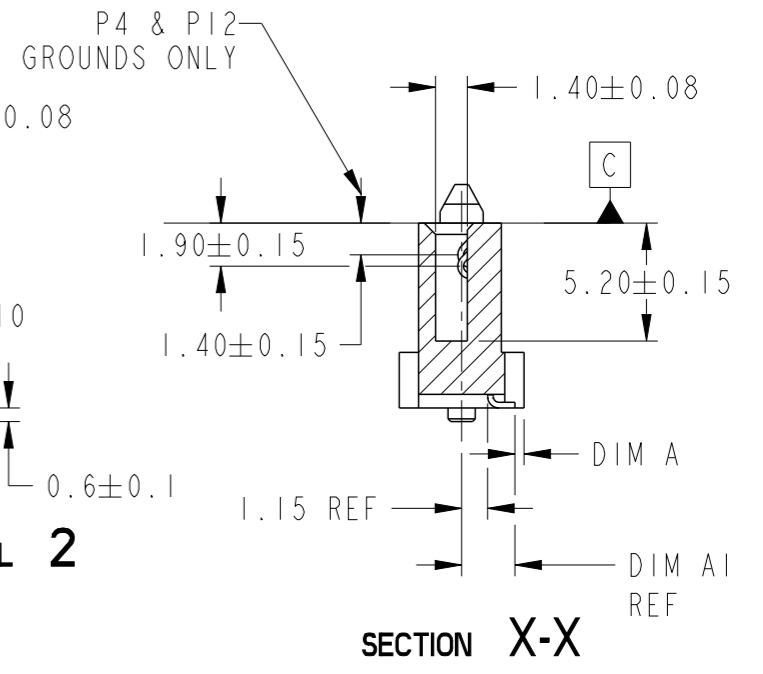
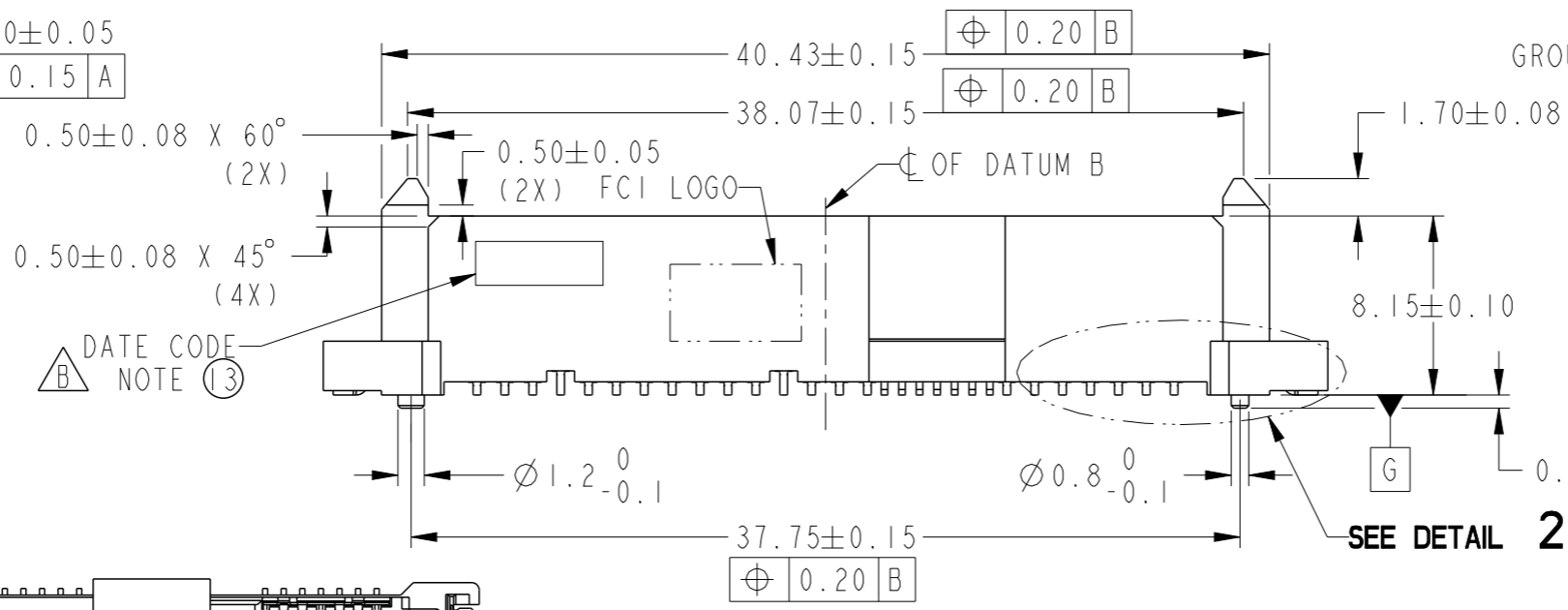
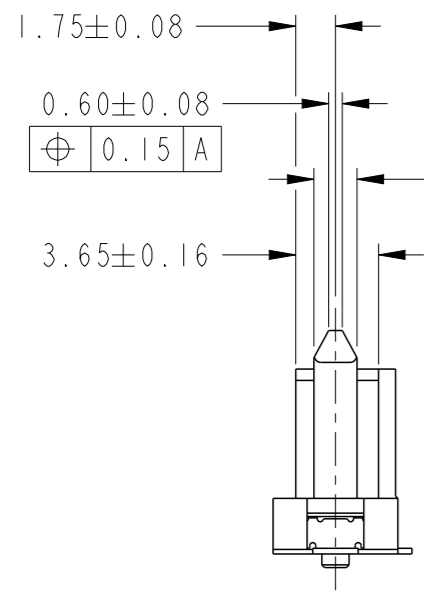
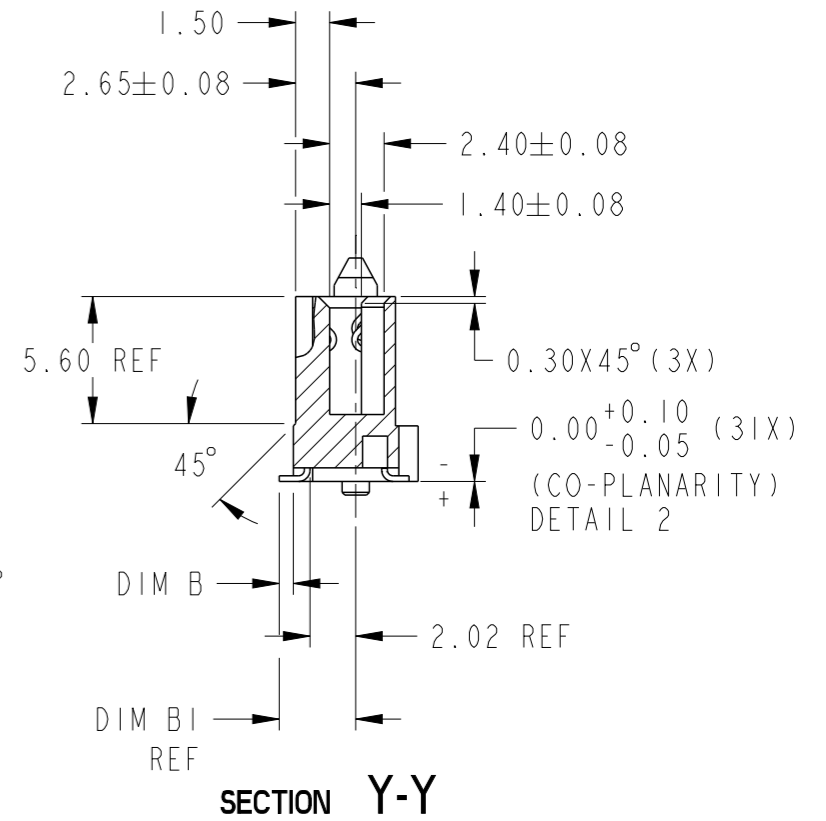
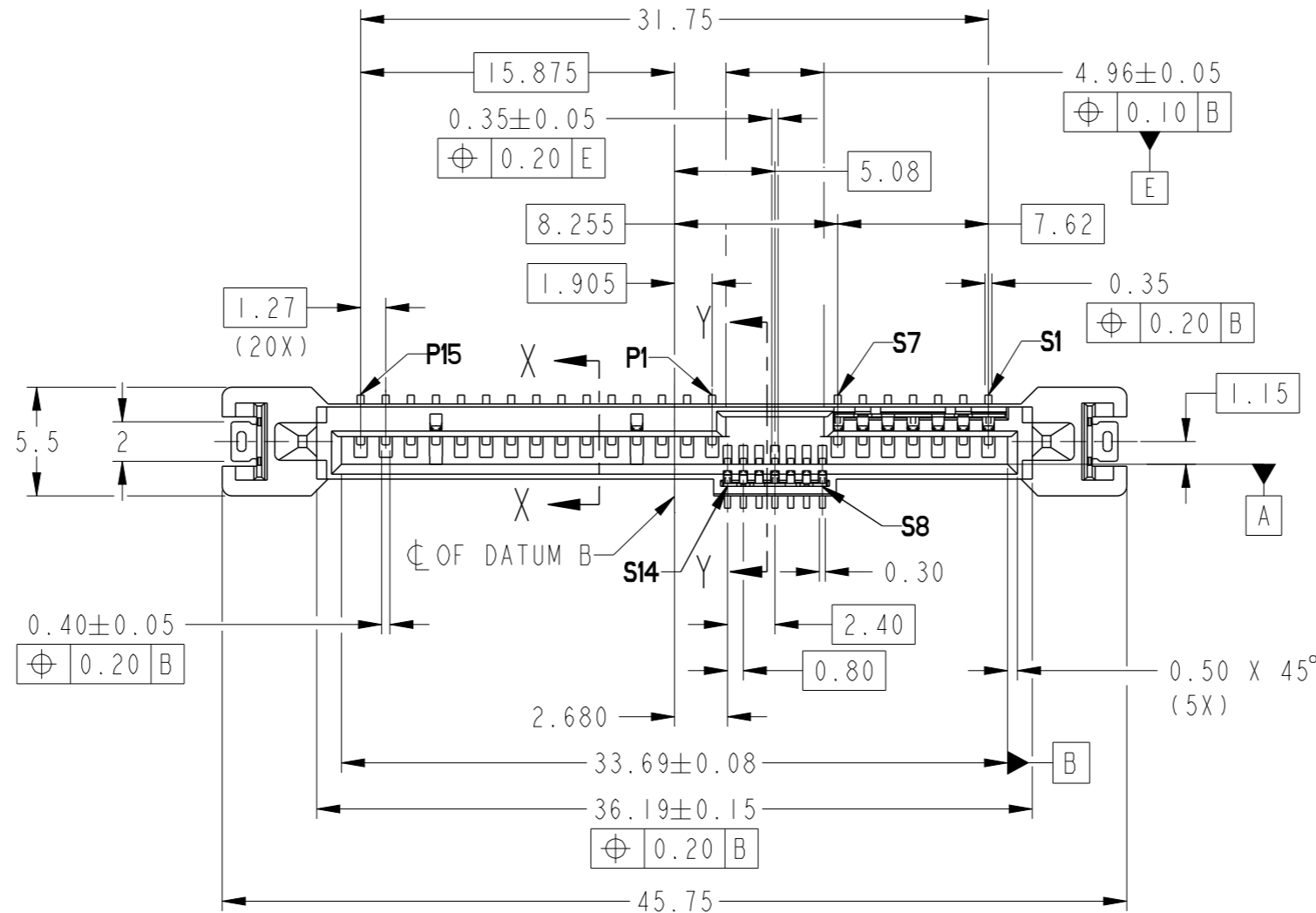


PRODUCT NUMBER
SEE TABLE



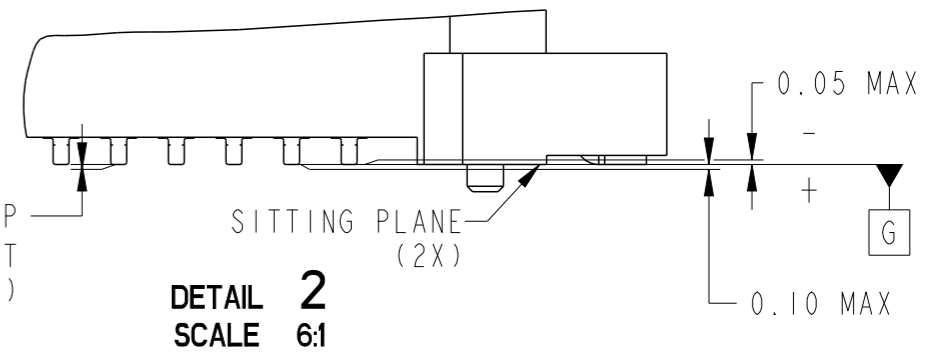
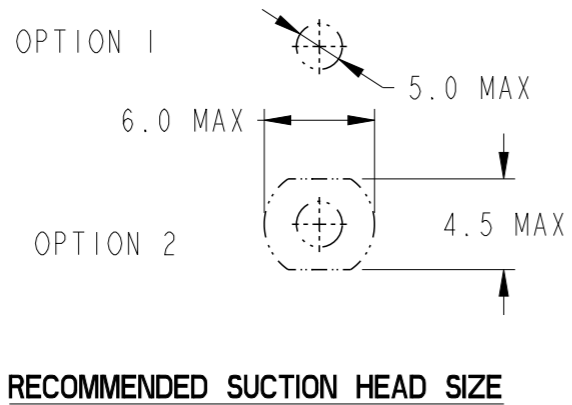
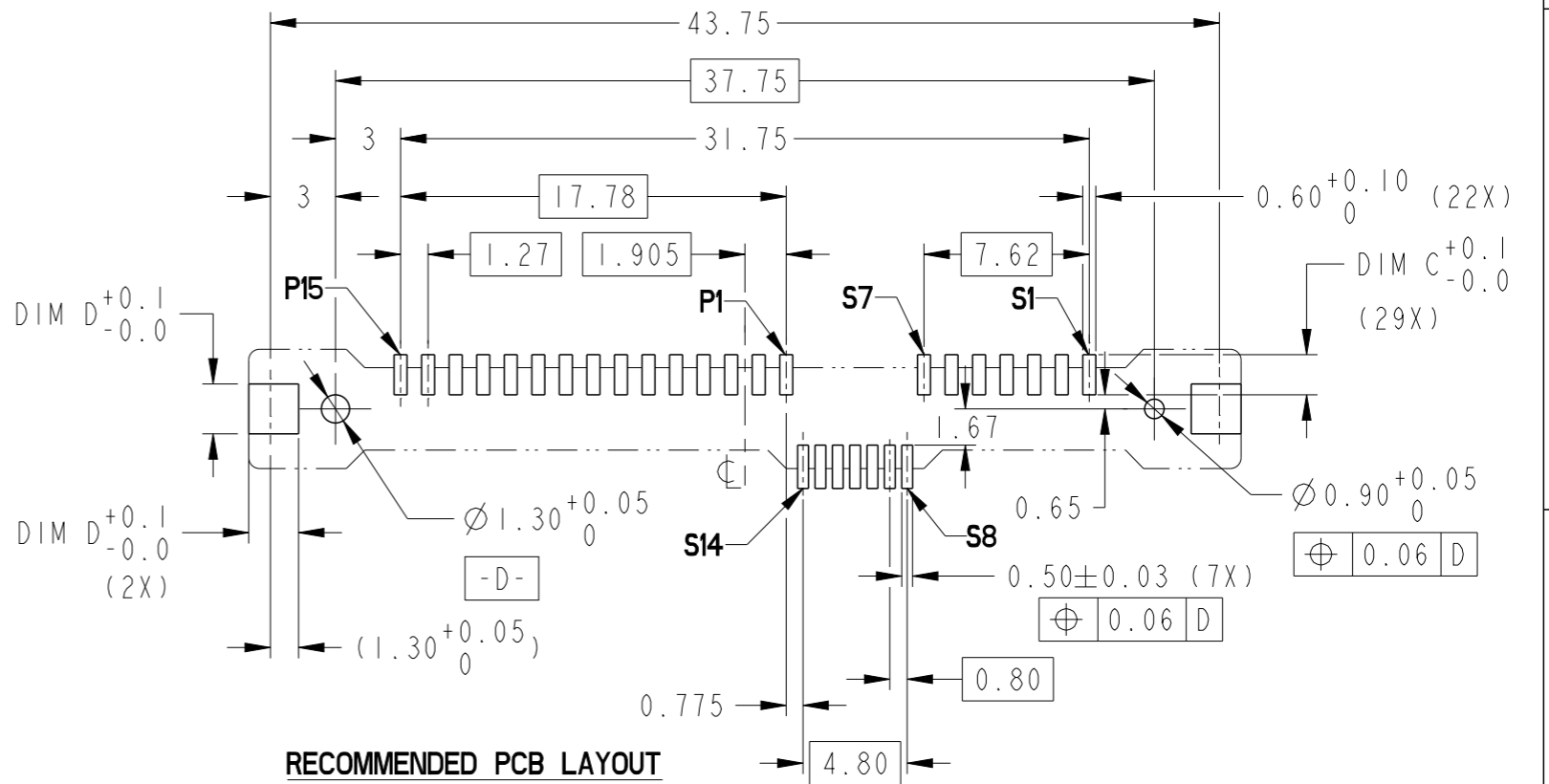
| | | | | |
|---------------|---------------------------------------|------|---------------|------------|
| spec ref | - | dr | K Ayyapparaj | 2012/11/27 |
| tolerance std | ISO 406 ISO 1101 | eng | Guat-Lian Loo | 2015/07/07 |
| | TOLERANCES UNLESS OTHERWISE SPECIFIED | chr | - | - |
| surface | ✓ | appr | Chen-Hong Tan | 2015/07/07 |
| | ISO 1302 | | | |
| linear | 0.X ± 0.XX ±0.20 0.XXX ± | | | |
| angular | 0° ±2° | | | |

| | | | | | |
|--|----------|--------|------------------------|--------------|----------|
| projection | mm | size | A3 | scale | 3:1 |
| product family | SAS | ecn no | ELX-S-19009-1 | rel level | Released |
| 12G SAS RECEPTACLE VERTICAL SMT TYPE ASSY | | dwg no | 10120909 | rev | B |
| www.fci.com | cat. no. | - | Product - Customer Drw | sheet 1 of 3 | |



Copyright FCI.



| 1 | | | | 2 | | | 3 | | | 4 | | | |
|--------------------|-------|------------|-------|------------|-------|-------|------------|---------|-------------|-------------|-----------------|--------------------|---------|
| PRODUCT NUMBER | DIM A | DIM A1 REF | DIM B | DIM B1 REF | DIM C | DIM D | METAL CLIP | PLATING | PICK-UP CAP | PACKAGING | REMARKS | PRODUCT NUMBER | PLATING |
| 10120909-001LF | 0.4 | 2.35 | 0.6 | 3.37 | 1.85 | 2.3 | 2 PCS | NOTE ② | NO | TRAY | NOTE ⑧ | 10120909-301LF | NOTE ⑩ |
| YES | | | | | | | | | NOTE ④ & ⑧ | | 10120909-301CLF | | |
| 10120909-001C-TRLF | | | | | | | | | YES | TAPE & REEL | NOTE ④ ⑥ & ⑧ | 10120909-301C-TRLF | |
| 10120909-003LF | 0.3 | 2.5 | 0.8 | 3.52 | 2.35 | 2.6 | 2 PCS | NOTE ② | NO | TRAY | NOTE ⑧ | 10120909-303LF | NOTE ⑩ |
| YES | | | | | | | | | NOTE ④ & ⑧ | | 10120909-303CLF | | |
| 10120909-003C-TRLF | | | | | | | | | YES | TAPE & REEL | NOTE ④ ⑥ & ⑧ | 10120909-303C-TRLF | |



| | | | | | | | | | | |
|---------------------------------------|---------------------|----------|---------------|------------|------------------------|----|--------------|---------------|-----------|----------|
| spec ref | - | dr | K Ayyapparaj | 2012/11/27 | projection | mm | size | A3 | scale | 3:1 |
| tolerance std | ISO 406 ISO 1101 | eng | Guat-Lian Loo | 2015/07/07 | | | ecn no | ELX-S-19009-1 | rel level | Released |
| TOLERANCES UNLESS OTHERWISE SPECIFIED | | chr | - | apppr | | | | | | |
| surface | ISO 1302 | linear | 0.X | ± - | | | dwg no | 10120909 | rev | B |
| | | | 0.XX | ±0.20 | | | | | | |
| | | angular | 0° | ±2° | | | | | | |
| www.fci.com | | cat. no. | - | | Product - Customer Drw | | sheet 2 of 3 | | | |

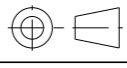


PRODUCT NUMBER
SEE TABLE

NOTES:

1. MATERIAL :
 - 1) HOUSING : HIGH TEMP THERMOPLASTIC, UL 94V-0
COLOR : BLACK
 - 2) TERMINAL : COPPER ALLOY
 - 3) HOLD DOWN : COPPER ALLOY
- ② FINISH :
 - 1) TERMINAL : 30μ" Au PLATING (CONTACT POINT) OVER 50μ" NICKEL
 - 2) SOLDER TAIL : 100μ" MIN Sn OVER 50μ" NICKEL
 - 3) HOLD DOWN : 100μ" MIN Sn OVER 50μ" NICKEL
3. PER SFF REV 1.1, EXCEPT 0.8mm PITCH BUMP AREA.
- ④ PART WITH PICK-UP CAP, P/N XXXXXXXX-XXXCLF.
- ⑤ THE STD PACKAGING IS IN TRAY UNLESS OTHERWISE SPECIFIED.
- ⑥ PART NUMBER WITH SUFFIX "-TR" MEANS FOR TAPE & REEL PACKAGING (E.G. P/N: XXXXXXXX-XXXC-TRLF).
7. THE HOUSING WILL WITHSTAND EXPOSURE TO 260°C PEAK TEMPERATURE FOR 10 SECONDS IN A CONVECTION, INFRA-RED OR VAPOR PHASE REFLOW OVEN.
- ⑧ THIS PRODUCT MEETS EUROPEAN UNION DIRECTIVES AND OTHER COUNTRY REGULATIONS AS DESCRIBED IN GS-47-0004.
- ⑨ PART NUMBERS ENDING IN "LF" MEANS FOR NOTE 8 LEAD FREE IDENTIFICATION
- ⑩ FINISH :
 - 1) TERMINAL : 30μ" GXT PLATING (CONTACT POINT) OVER 50μ" NICKEL
 - 2) SOLDER TAIL : 100μ" MIN Sn OVER 50μ" NICKEL
 - 3) HOLD DOWN : 100μ" MIN Sn OVER 50μ" NICKEL
11. 10120909-X03LF FOOTPRINT IS SAME AS 10120818-X01LF
12. A  SYMBOL WILL BE NEXT TO ANY DIMENSION, VIEW, OR NOTE WHICH HAS BEEN MODIFIED WITH THE CURRENT DRAWING REVISION.
-  ⑬ DATE CODE LOCATION. DATE CODE NO. YYWW (E.G. 14225)



Copyright FCI.

| | | | | | | | | | | | |
|---|---------|------|---------------|---|---|-----|------------------------|---------------|--------------|-----|---|
| spec ref - | | dr | K Ayyapparaj | 2012/11/27 | projection | mm | size | A3 | scale | 3:1 | |
| tolerance std | | eng | Guat-Lian Loo | 2015/07/07 |  | ← → | ecn no | ELX-S-19009-1 | | | |
| ISO 406 ISO 1101 | | chr | - | - | | | | rel level | Released | | |
| surface  | | appr | Chen-Hong Tan | 2015/07/07 | product family | | SAS | | | | |
| ISO 1302 | linear | 0.X | ± - |  | 12G SAS RECEPTACLE VERTICAL SMT TYPE ASSY | | dwg no | 10120909 | | rev | B |
| | | 0.XX | ±0.20 | | | | | | | | |
| | angular | 0° | ±2° | www.fci.com | cat. no. | - | Product - Customer Drw | | sheet 3 of 3 | | |