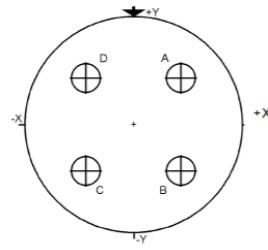


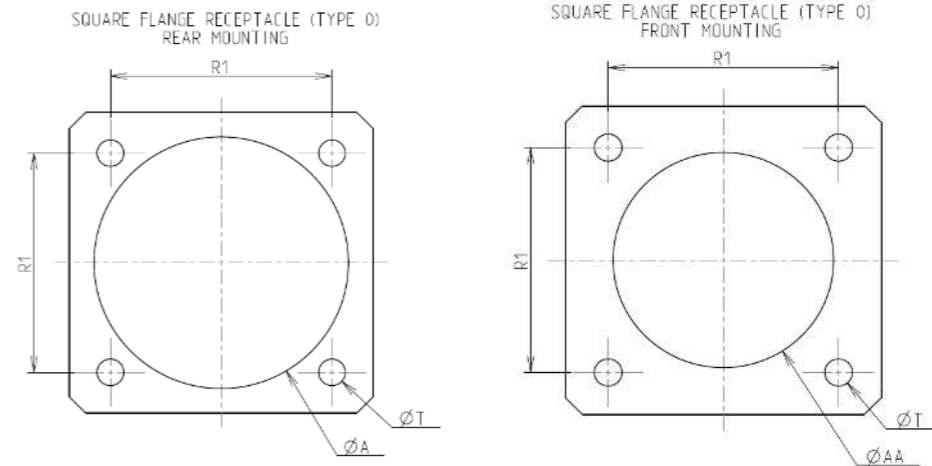
Contact Layout



Contacts (Insert arrangement 11-4)		
Contact position ID	Contact location	
	X-axis (mm)	Y-axis (mm)
A	+0.65 (1.65)	+0.65 (1.65)
B	+0.65 (1.65)	-0.65 (1.65)
C	-0.65 (1.65)	-0.65 (1.65)
D	-0.65 (1.65)	+0.65 (1.65)

Shell size	Arrangement no.	Number of contacts	Size contacts	Service rating	Contact location	Supersedes
11	-4	4	20	I	All	MS20050-4

Panel Cutout



Dim	Nominal
ØA	20.22 min
ØAA	15.88 min
R1	20.62
ØT	3.25 ±0.13

SOURIAU shall not be liable for any non-conformity or damage due to a use of the Products which does not comply with the Specifications issued by either of the Parties or by a third party (professional recommendation, technical notice.)

Country	Jurisdiction & Control List
FR	Not Listed

PN: 8D011S04BA

A	07-10-2016	First Release	
ISS	DATE	Latest modification - by	MOD N°
Designed By:		Date:	CUSTOMER DRAWING
TITLE	Stainless Steel Receptacle 8D series		
SCALE		General linear Tolerances:	NPRDS / PROJECT
NA		±--	859
SOURIAU	WWW.SOURIAU.COM		This document is the property of SOURIAU it must not be reproduced or communicated without permission
FORMAT	SOURIAU DRG N° 8D011S04BA-C		SHEET 2/2