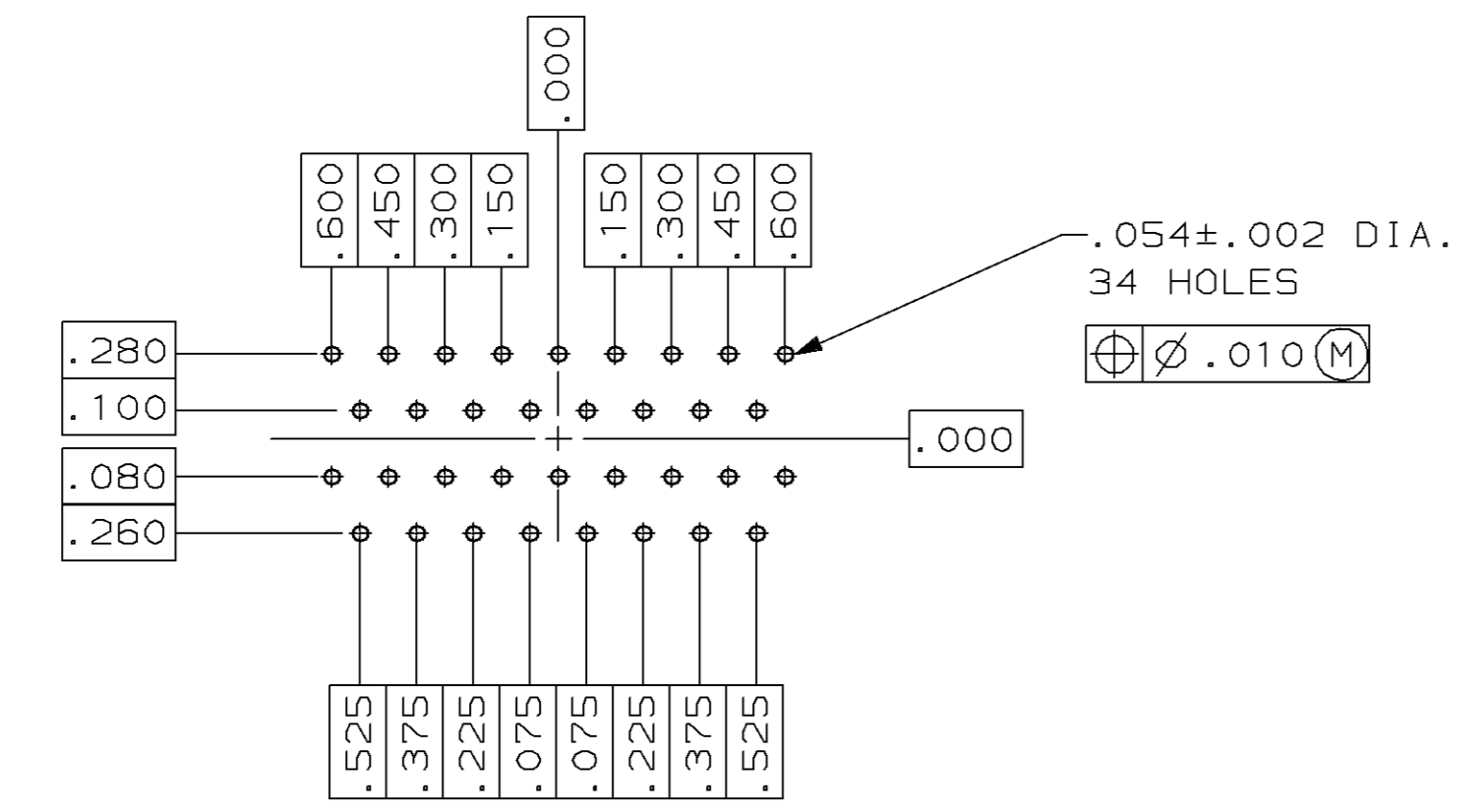
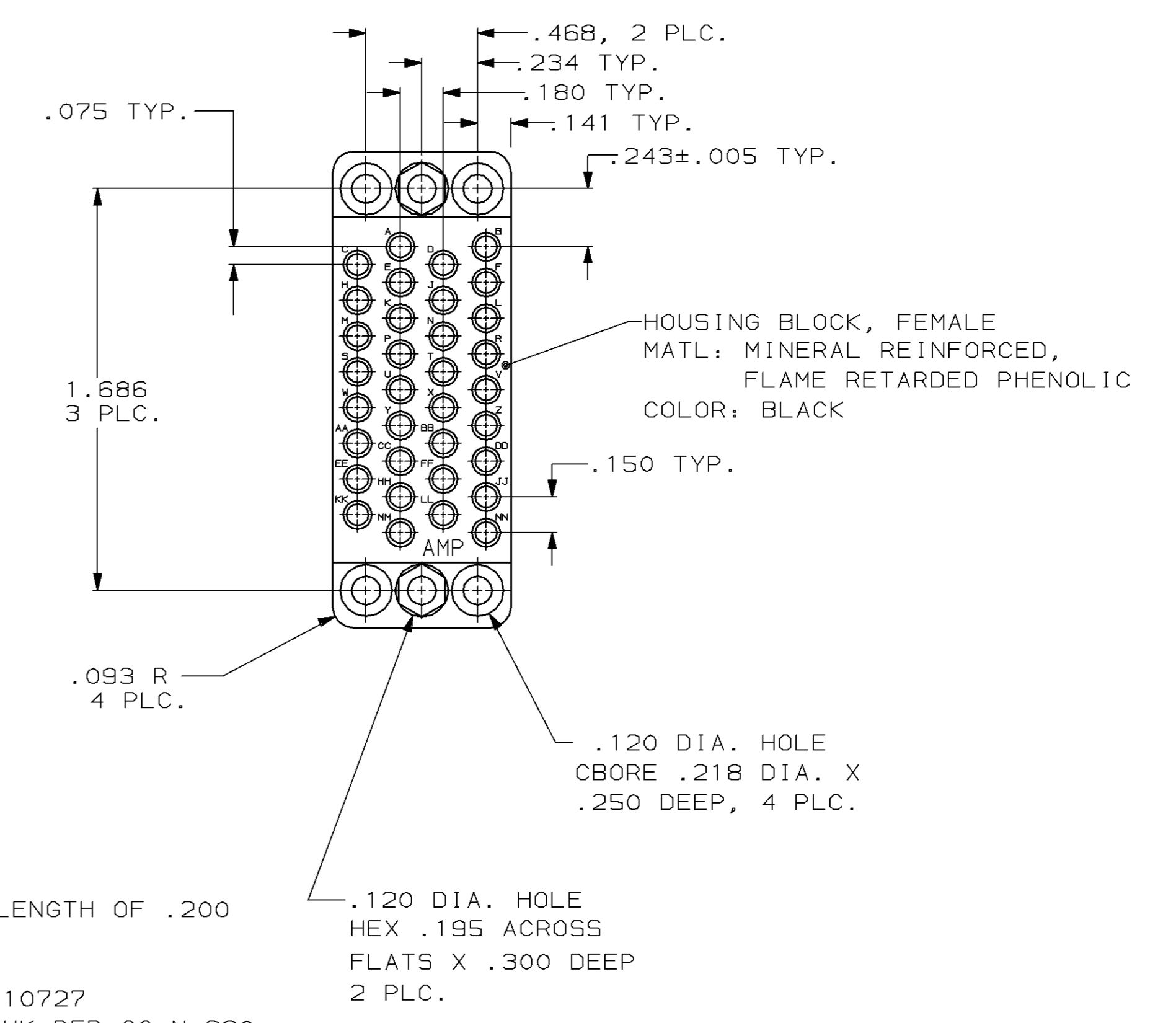
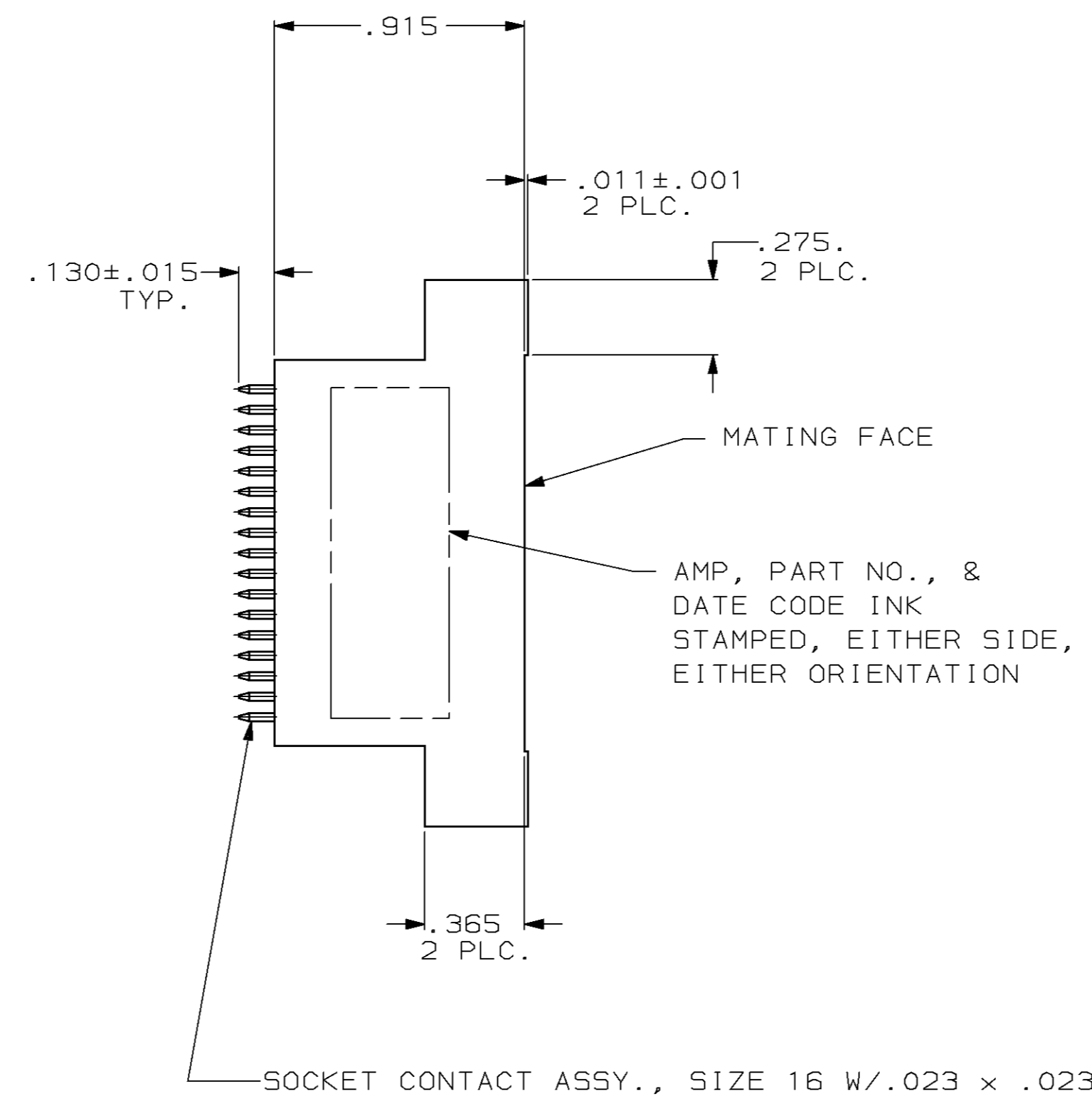
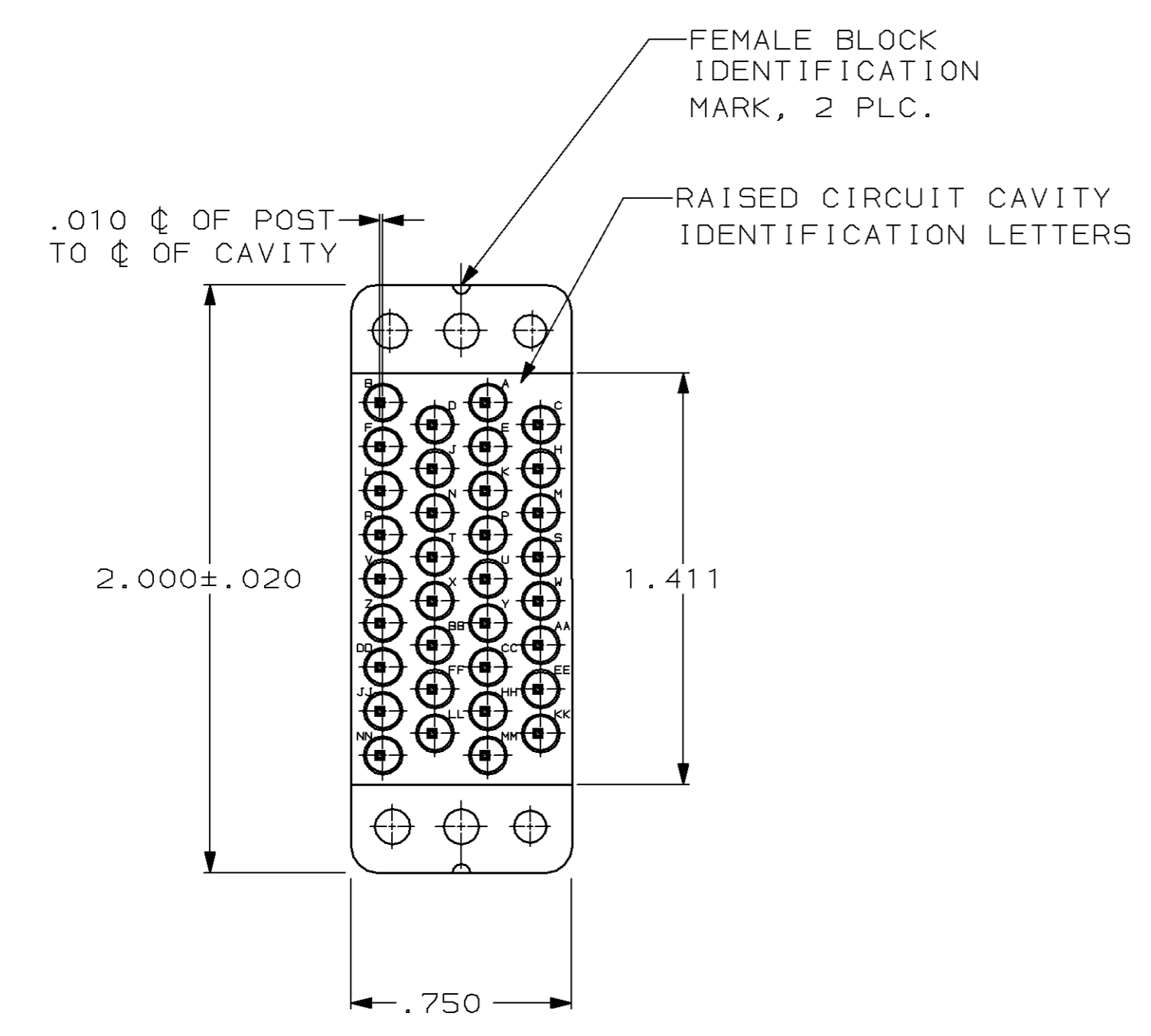


MOD		LOC		DIST		REV		REVISIONS		
2	BD	36	P	F	ZONE	LTR	DESCRIPTION	DATE	APPD	TC
							D REV PER EC 0020-736-94	07/07/94		TC
							E REV PER EC 0020-1131-94	11/17/94		AC
							F REV PER EC 0020-1460-94	01/06/95		TC



RECOMMENDED P.C. BOARD LAYOUT

THIS DRAWING IS A CONTROLLED DOCUMENT FOR AMP INCORPORATED. IT IS SUBJECT TO CHANGE AND THE CONTROLLING ENGINEERING ORGANIZATION SHOULD BE CONTACTED FOR THE LATEST REVISION.

DO NOT SCALE PRINT. UNLESS SPECIFIED DIMENSIONS IN INCHES TOLERANCES ON:		DR 7-8-87 M. HOFFECKER		213473-1 PART NO	
2 PLC DEC ± .010		CHK 7-8-87 L. LAWVER		AMP Incorporated Harrisburg, PA 17105-3608	
ANGLES ± -		APPD 7-10-87 R. WALTER		NAME	
MATERIAL		APPD 7-10-87 G. SACUNAS		SOCKET CONNECTOR ASSY, M SERIES V.35, 34 POSN, LOADED	
SEE CALLOUTS		PRODUCT SPEC		SIZE	
FINISH		APPLICATION SPEC		CAGE CODE	
SEE CALLOUTS		-		D 00779	
WEIGHT		-		DRAWING NO	
				C-213473	
		SCALE 2:1		SHEET 1 OF 1	