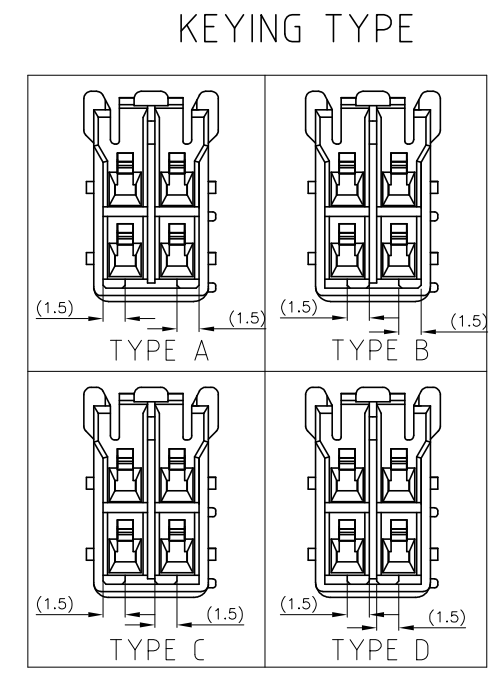
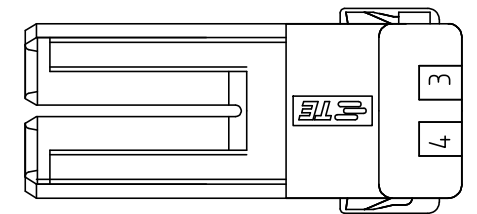
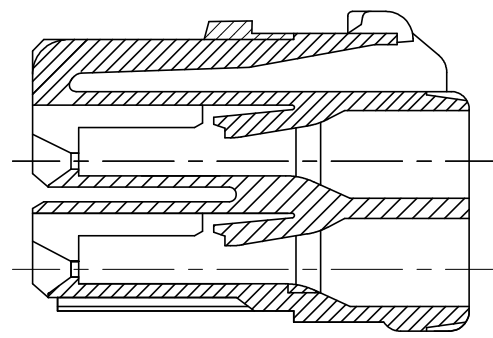
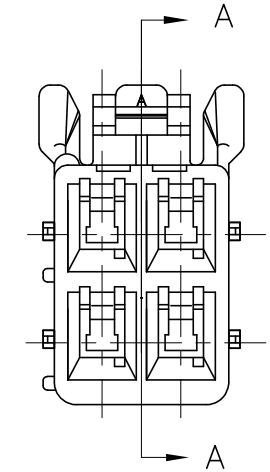
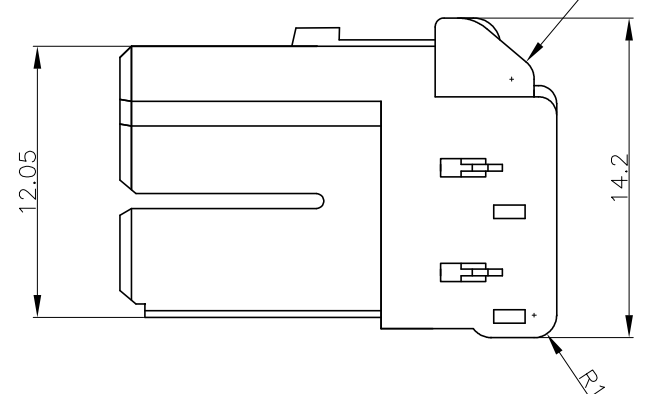
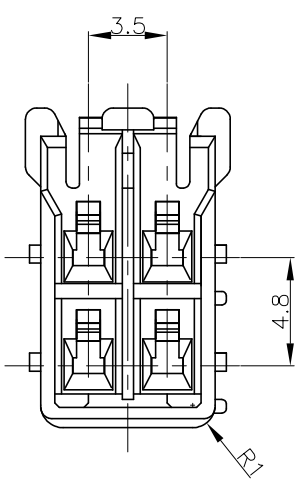
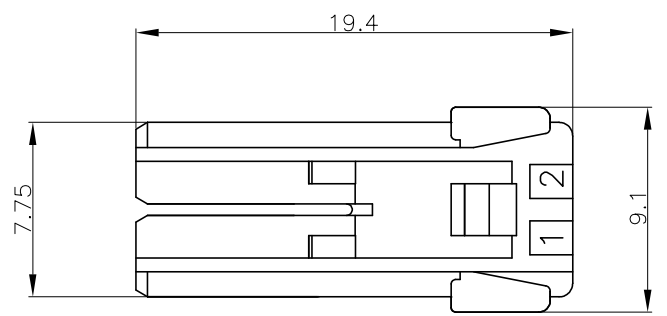


THIS DRAWING IS UNPUBLISHED. RELEASED FOR PUBLICATION
 © COPYRIGHT - TE Connectivity Ltd. ALL RIGHTS RESERVED.

REVISIONS 変更				
P	LTR	DESCRIPTION	DATE	DWN APVD
	A1	REVISED PER ECR-19-006211	17APR2019	SC D.Z



3-1565087-4	D	YELLOW	3-1565083-4
2-1565087-3	C	BLUE	2-1565083-3
1-1565087-2	B	RED	1-1565083-2
1565087-1	A	NATURAL	1565083-1
MATING HSG P/N	KEYING TYPE	COLOR	P/N

注) 1.一般公差:±0.25
 2.材料:66ナイロン ガラス無(UL94V-0)
 3.かん合相手製品型番
 キャップハウジング:TABLE?照のこと
 リセコンタクト:1565079-1,1612334-1
 4.適?プレ?ト型番:1565089-1

NOTES)
 1.GENERAL TOLERANCE:±0.25
 2.MATERIAL:66 NYLON NON-GLOSS FILLED (UL94V-0)
 3.MATING CONN. P/N
 CAP HOUSING:SEE TABLE
 REC CONTACT ;1565079-1,1612334-1
 4. APPLICABLE PLATE P/N :1565089-1

THIS DRAWING IS A CONTROLLED DOCUMENT.		DWN A.OISHI 30 MAY. '02	TE Connectivity Ltd.	
DIMENSIONS: 単位: 耗 mm		CHK M.SHINDO 30 MAY. '02		
TOLERANCES UNLESS OTHERWISE SPECIFIED: 一般公差		APVD M.SHINDO 30 MAY. '02	NAME 名称 GRACE INERTIA CONNECTOR 3.5 4POS PLUG HOUSING	
		PRODUCT SPEC 製品規格 108-5810	グレイス?イナ?シャ?コネクタ 3.5 4極 プラグハウジ	
MATERIAL 材料 SEE NOTE 2		FINISH 仕上 -	APPLICATION SPEC 取付適用規格 114-5306	RESTRICTED TO
		WEIGHT -	SIZE A3	CAGE CODE 00779
			DRAWING NO 番号 C=1565083	REV A1
		CUSTOMER DRAWING	SCALE 尺度 -	SHEET 1 OF 1