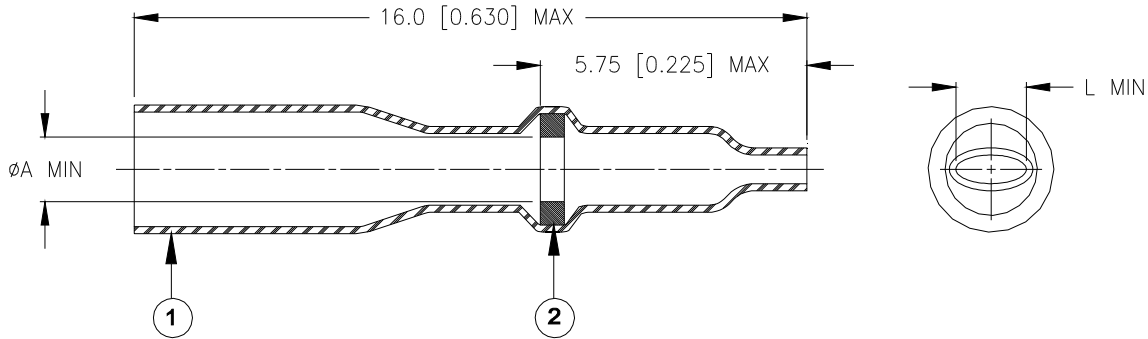


## SPECIFICATION CONTROL DRAWING



Product Revision		Product Dimensions		Wire and Pin Dimensions			
Product Name		$\phi A$ min	L min	$\phi B$ max	$\phi C$		$\phi D$ max
					min	max	
B-155-1501	A	1.5 [0.060]	1.5 [0.060]	2.0 [0.080]	0.9 [0.035]	1.5 [0.060]	0.6 [0.025]
B-155-1502	A	2.3 [0.090]	2.3 [0.090]	2.9 [0.115]	1.1 [0.045]	2.3 [0.090]	0.9 [0.035]
B-155-1503	A	2.8 [0.110]	2.8 [0.110]	3.2 [0.125]	1.6 [0.065]	2.8 [0.110]	1.2 [0.045]
B-155-1504	A	3.8 [0.150]	3.8 [0.150]	4.5 [0.180]	1.8 [0.070]	3.8 [0.150]	1.5 [0.060]

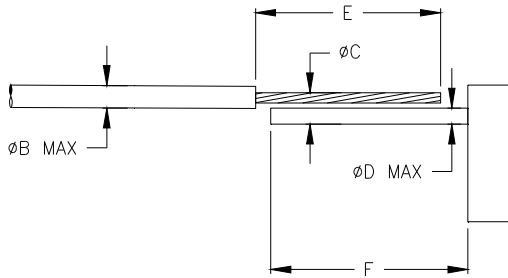
### MATERIALS

1. INSULATION SLEEVE: Heat-shrinkable, transparent clear, radiation cross-linked modified polyolefin.
2. SOLDER PREFORM WITH FLUX:
  - SOLDER: TYPE Sn42Bi58 per ANSI / J-STD-006.
  - FLUX: TYPE ROM1 per ANSI / J-STD-004.

### APPLICATION



1. These controlled soldering devices are designed for termination of a wire to the lead of electrical component or to the terminal of a connector.
2. Temperature range: -55°C to +125°C.
3. For installation procedure and application equipment, consult RPIP-824-00

For best results, prepare the wire as shown:



Stripping Dimensions:

- 1) Wires smaller than AWG 18:  
 E:  $6.5 \pm 0.5$  [0.256  $\pm$  0.020]  
 F:  $8.0 \pm 0.5$  [0.315  $\pm$  0.020]
- 2) Wires AWG 18 and larger:  
 E:  $9.5 \pm 0.5$  [0.374  $\pm$  0.020]  
 F:  $11.0 \pm 0.5$  [0.433  $\pm$  0.020]

		TE Connectivity 300 Constitution Drive, Menlo Park, CA. 94025, U.S.A.				TITLE: <b>SOLDERSLEEVE ONE-STEP WIRE TERMINATOR, LOW TEMPERATURE</b>					
Unless otherwise specified dimensions are in millimeters. [Inches dimensions are shown in brackets]						DOCUMENT NO.: <b>B-155-150X</b>					
TOLERANCES: 0.00 N/A 0.0 N/A 0 N/A		ANGLES: N/A ROUGHNESS IN MICRON		TE Connectivity reserves the right to amend this drawing at any time. Users should evaluate the suitability of the product for their application.		PROD. REV.: SEE TABLE		DOC. ISSUE: 2		DATE: 16-Apr-11	
PREPARED BY: mforonda		DCR NUMBER: D050256				REPLACES: ---		CAGE CODE: 06090		SCALE: ---	

Print Date: 9-May-11

© 2011 Tyco Electronics Corporation, a TE Connectivity Ltd. Company. All Rights Reserved.

If this document is printed it becomes uncontrolled. Check for the latest revision.