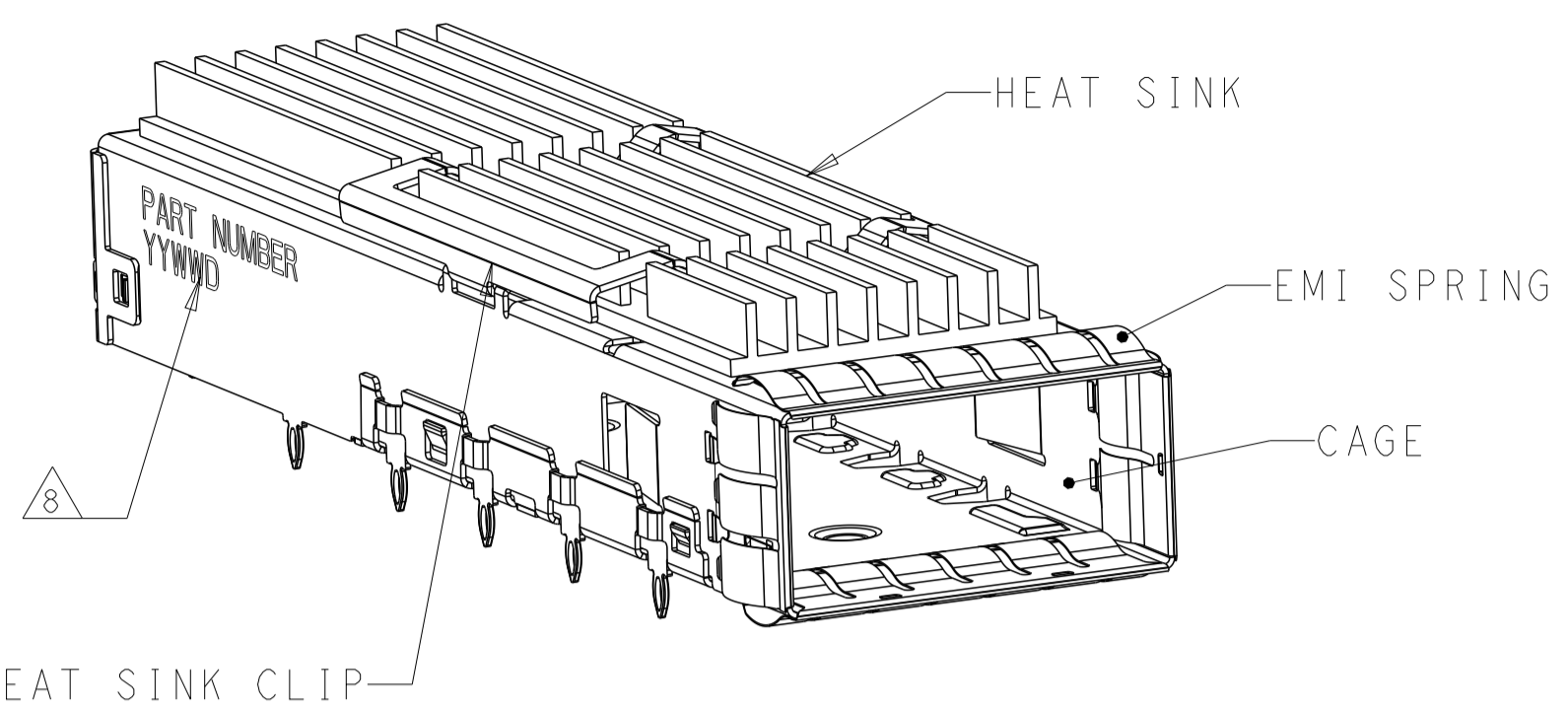
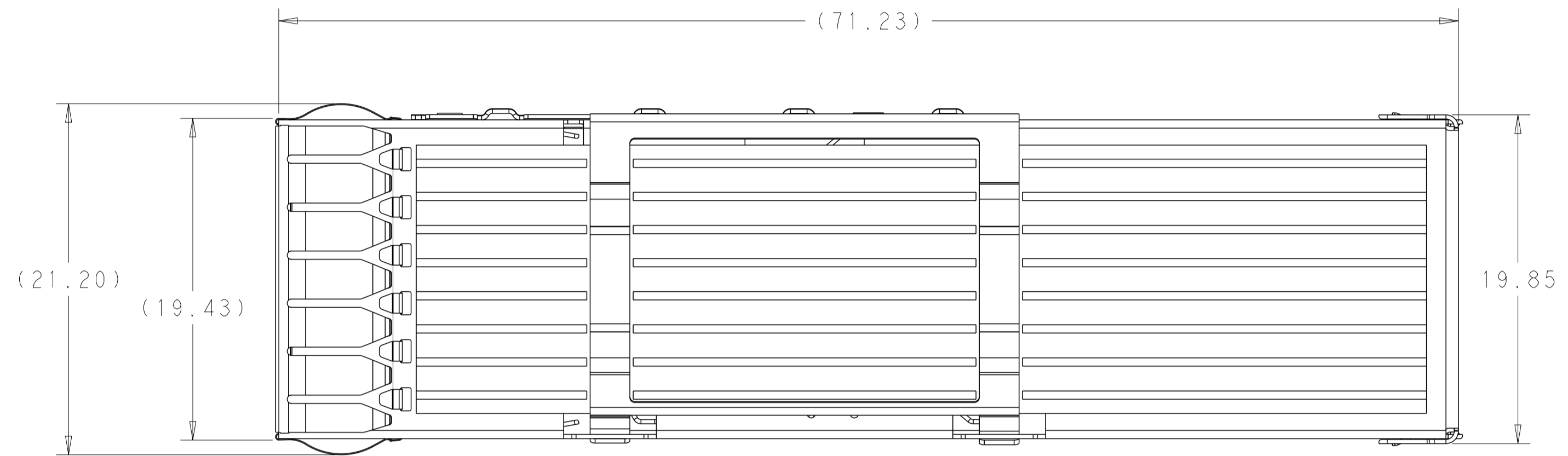


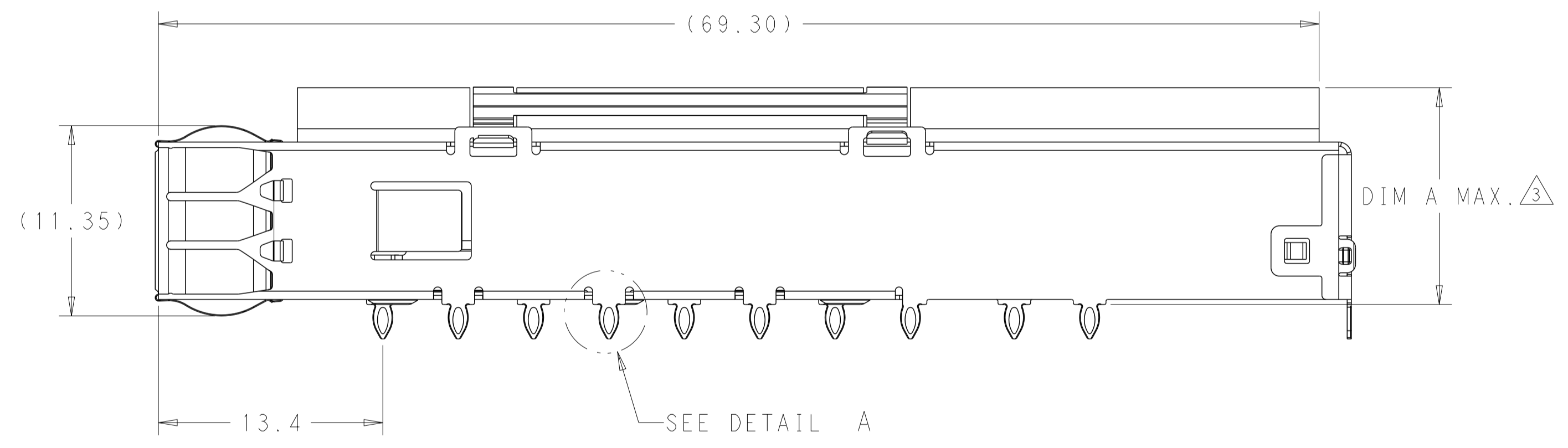
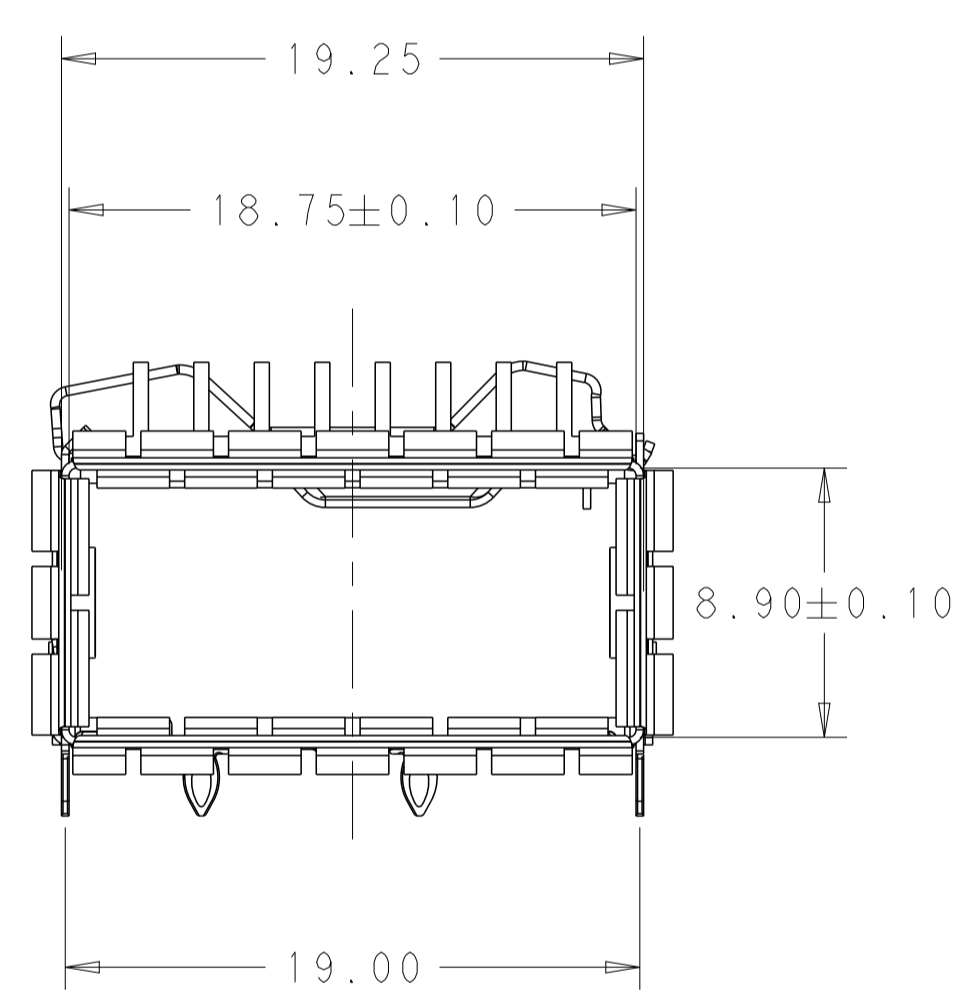
LOC		DIST		REVISIONS			
P	LTN	DESCRIPTION	DATE	DMN	APVD		
A		INITIAL RELEASE	13JUN2019	AJ	SH		
B		ADDED DASH 1-1/1-2/1-3/UPDATED 5-1 /4-1	08DEC2021	SH	SZ		
B1		ADD DASH 6-1/7-1/7-2	21JUL2022	JY	SZ		



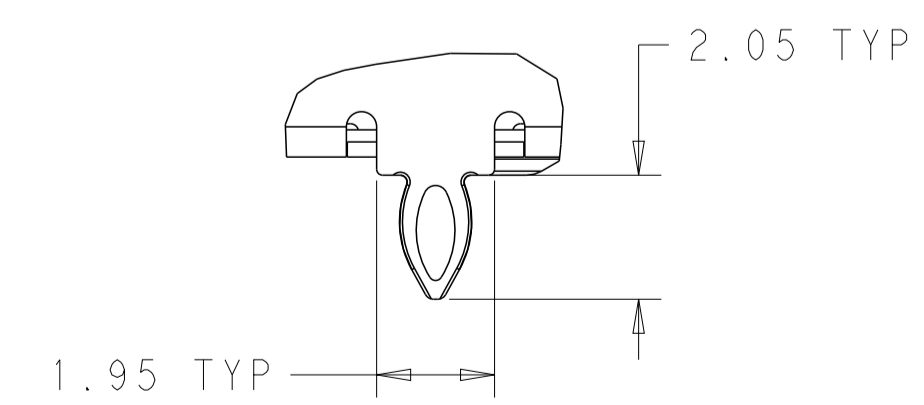
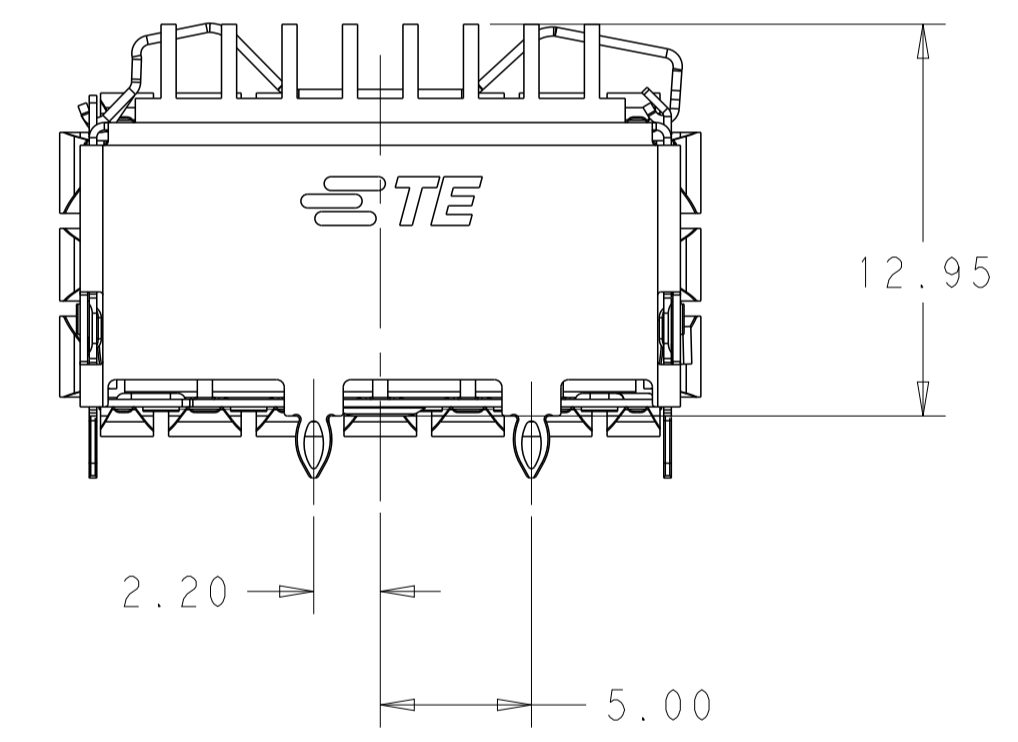
2342933-1 AS SHOWN
SCALE 3:1



- MATERIAL:
CAGE MATERIAL : 0.25 THICK STAINLESS STEEL.
SPRING MATERIAL: COPPER ALLOY
CLIP MATERIAL: STAINLESS STEEL
HEAT SINK: ALUMINUM
- FINISH:
SPRING: NICKEL PLATING
HEAT SINK: BLACK ANODIZATION
- DIMENSION APPLIES WITH MODULE INSTALLED IN THE CAGE TO TOP OF HEAT SINK.
- REFERENCE APPLICATION SPEC 114-60025 FOR RECOMMENDED DRILL HOLE DIAMETER AND PLATING THICKNESS.
- DATUM AND BASIC DIMENSIONS ESTABLISHED BY CUSTOMERS.
- MINIMUM PC BOARD THICKNESS : SINGLES SIDED: 1.57 MIN
DOUBLE SIDED: 3.00 MIN
- DATUM **-A-** IS TOP SURFACE OF THE HOST BOARD.
- DATE CODE (YYWW) MARKED APPROXIMATELY AS SHOWN
- MATES WITH QSFP DD MSA COMPATIBLE TRANSCEIVER.



2342933-1 AS SHOWN
SCALE 4:1



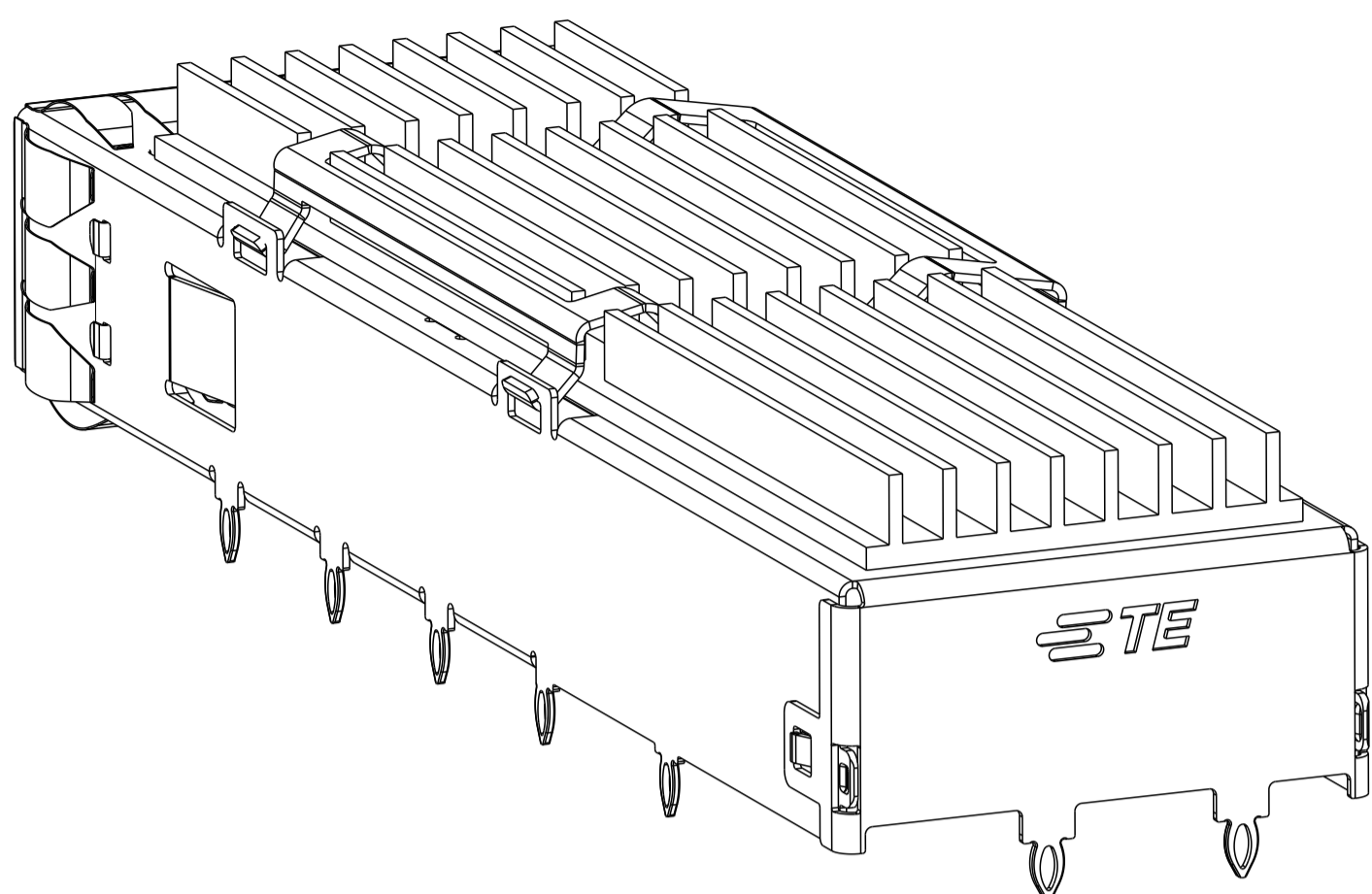
DETAIL A
SCALE 8:1

ONLY FOR 112G

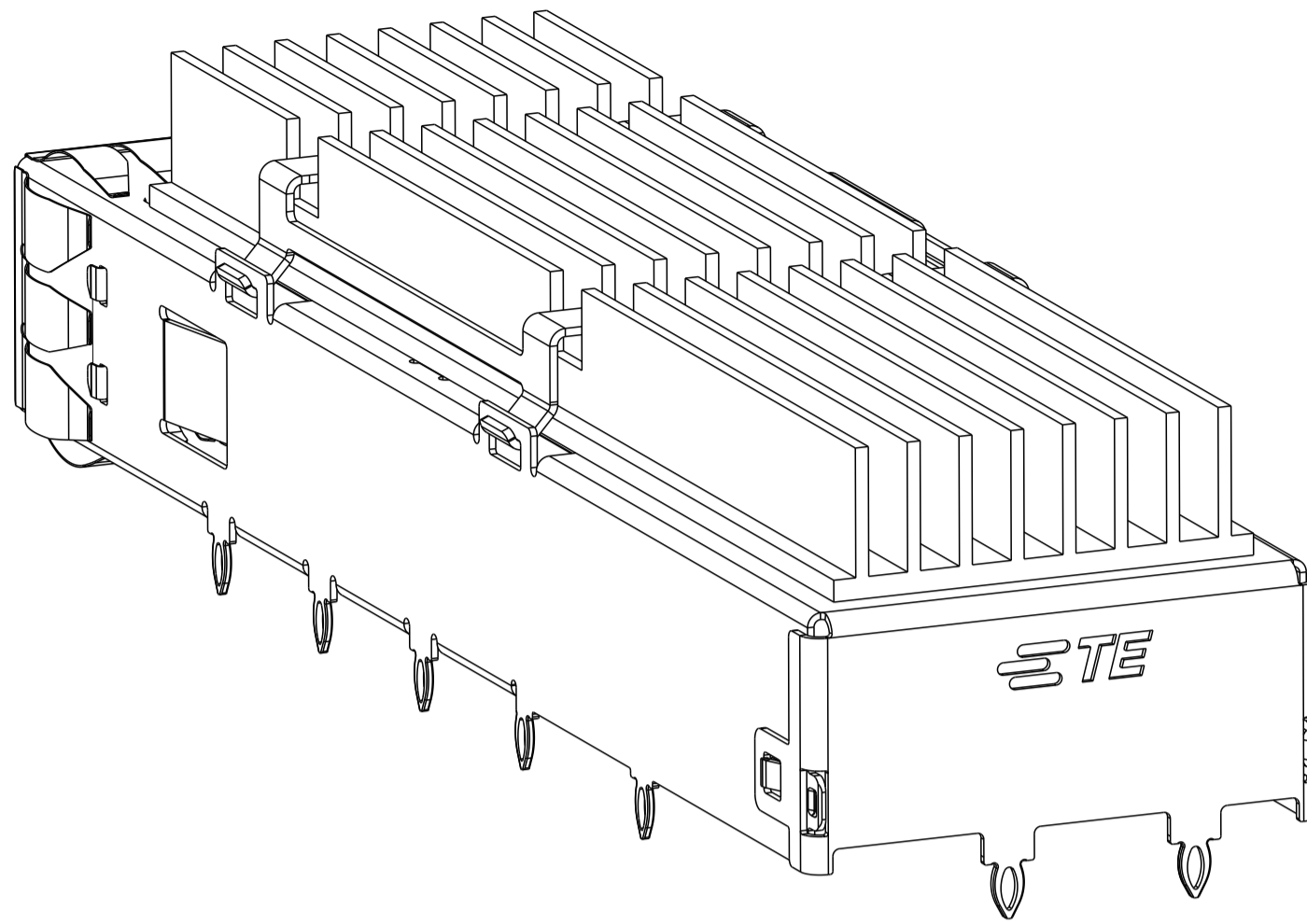
SEE SHEET 3	1	CUSTOMIZED	7-2342933-2
SEE SHEET 3	1	CUSTOMIZED	7-2342933-1
13.70	1	PCI	6-2342933-1
13.70	1	PCI(LAYOUT SEE SHEET6/7/8)	5-2342933-1
13.70	2	SQUARE FIN	4-2342933-1
23.00	0	NETWORKING	1-2342933-3
16.00	0	SAN	1-2342933-2
13.70	0	PCI	1-2342933-1
23.00	2	NETWORKING	2342933-3
16.00	2	SAN	2342933-2
13.70	2	PCI	2342933-1
DIM A	# REAR PINS	APPLICATION (HEAT SINK OPTION)	PART NUMBER

THIS DRAWING IS A CONTROLLED DOCUMENT.		DMN: ARTHUR JIN 29AUG2018	TE Connectivity	
TOLERANCES UNLESS OTHERWISE SPECIFIED:		CHK: SEAN HAN 29AUG2018		
DIMENSIONS:	mm	APVD: SEAN HAN 29AUG2018	NAME: CAGE ASSEMBLY, QSFP-DD STANDARD WITH EMI SPRING FINGER	
0 PLC	±0.25	PRODUCT SPEC	SIZE: A1	
1 PLC	±0.25	APPLICATION SPEC	SCALE: 2:1	
2 PLC	±0.20	114-60025	SHEET 1 OF 11	
3 PLC	±0.10	114-60025	REV: B1	
4 PLC	±0.10	114-60025	CUSTOMER DRAWING	
ANGLES	±°	WEIGHT	SCALE: 2:1	
FINISH	±"		SHEET 1 OF 11	

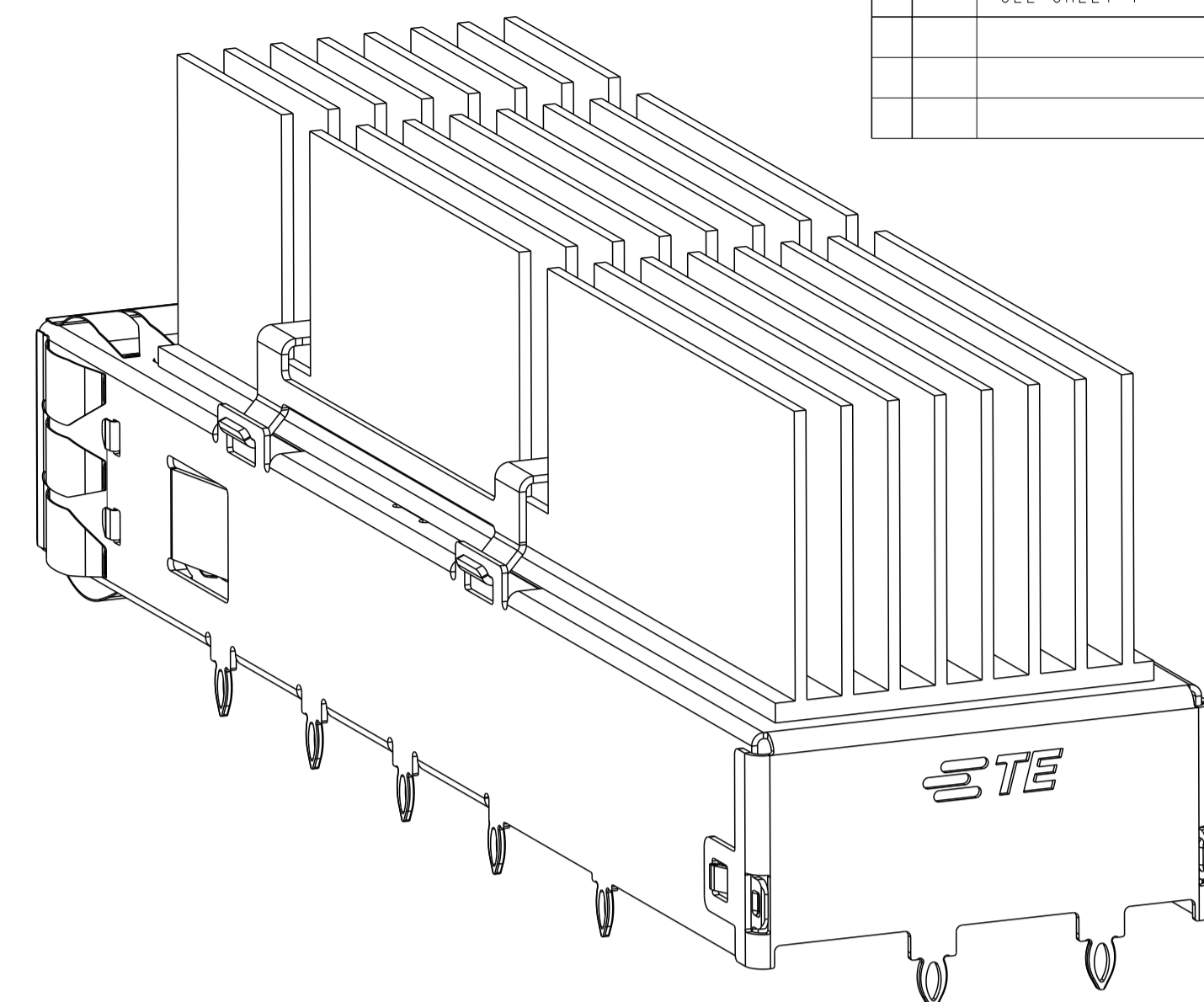
LOC		DIST		REVISIONS			
P	LTN	DATE	DMN	APVD	DESCRIPTION		
-	-	-	-	-	SEE SHEET 1		-



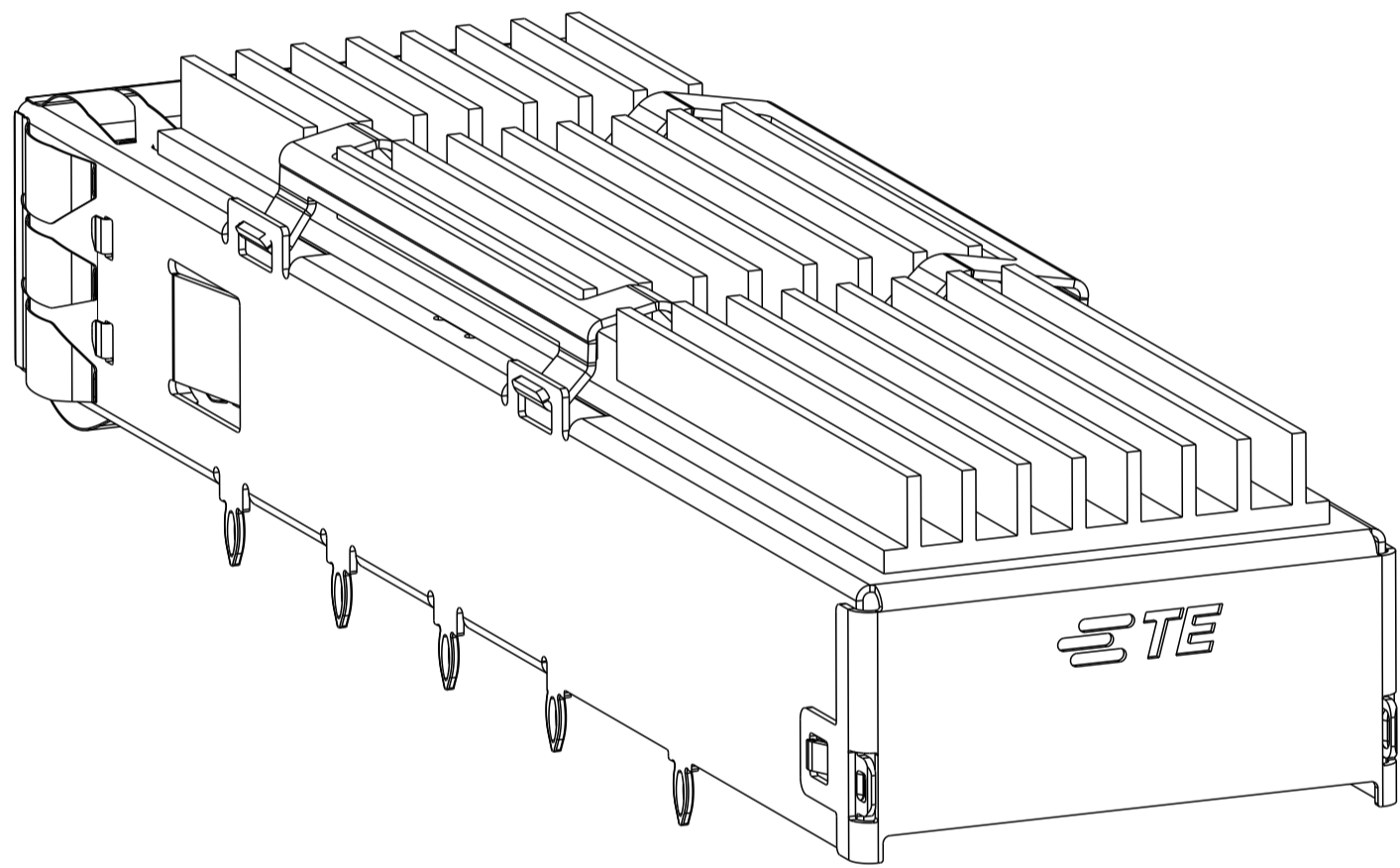
2342933-1 AS SHOWN WITH PCI HEAT SINK SCALE 4:1



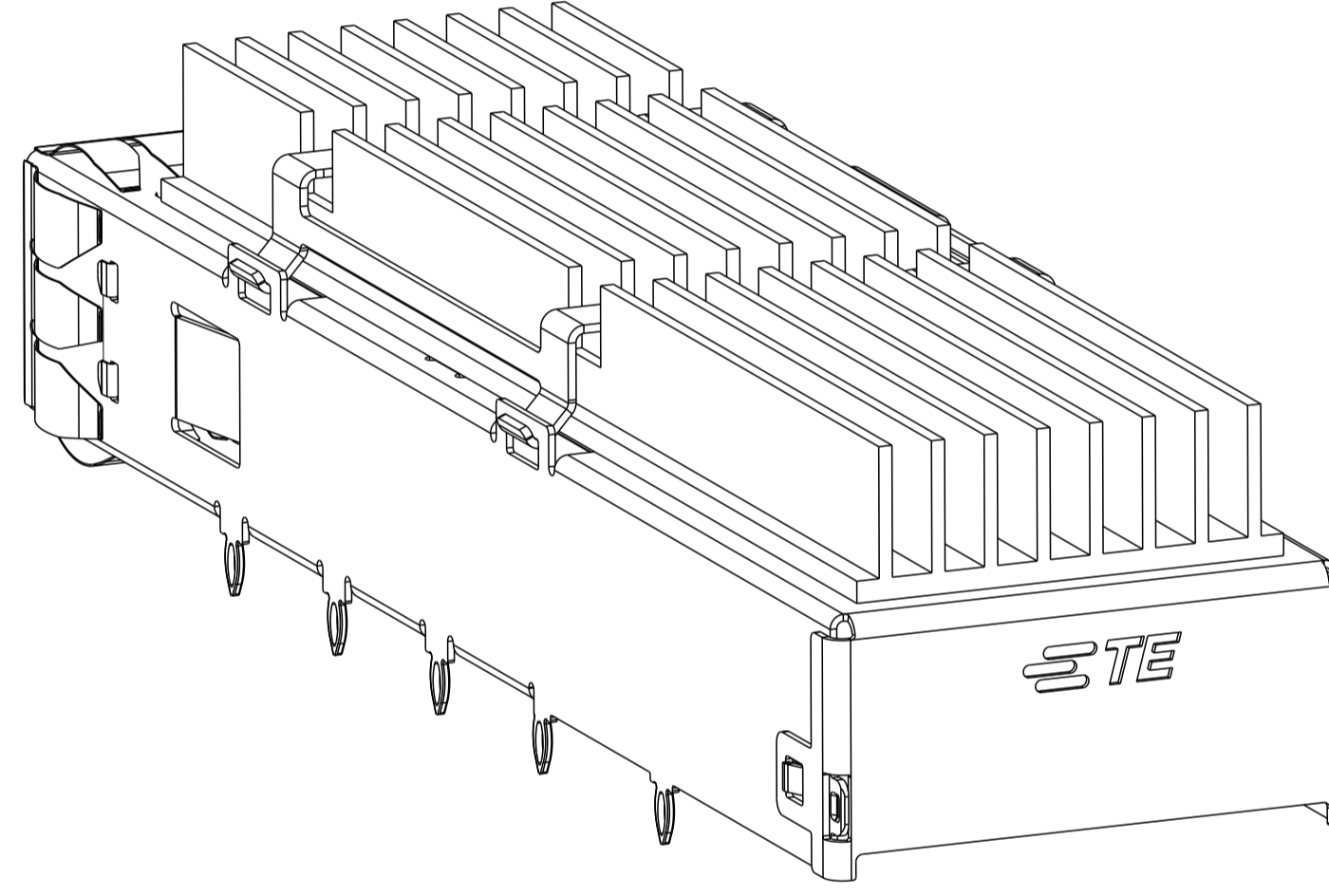
2342933-2 AS SHOWN WITH SAN HEAT SINK SCALE 4:1



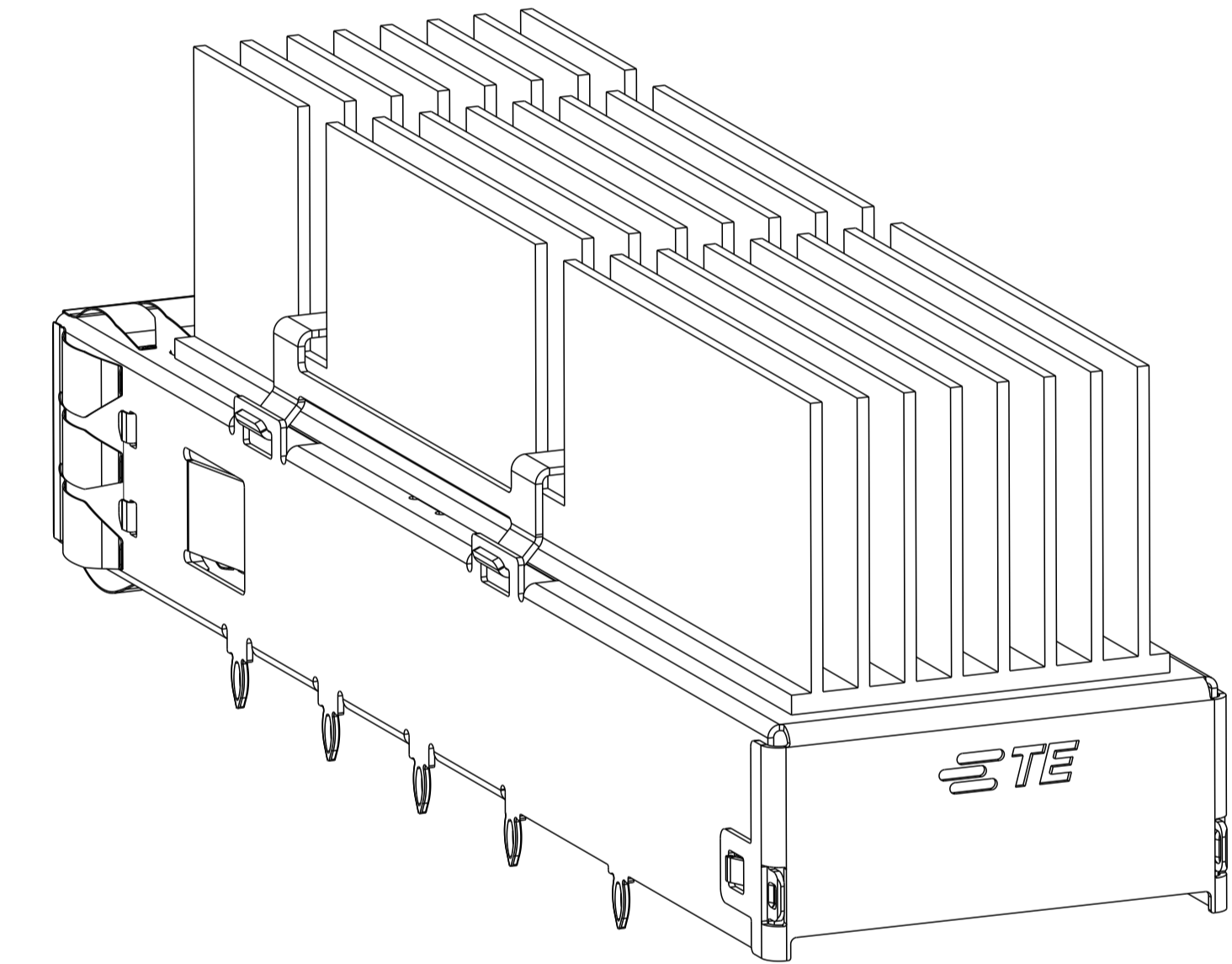
2342933-3 AS SHOWN WITH NETWORKING HEAT SINK SCALE 4:1



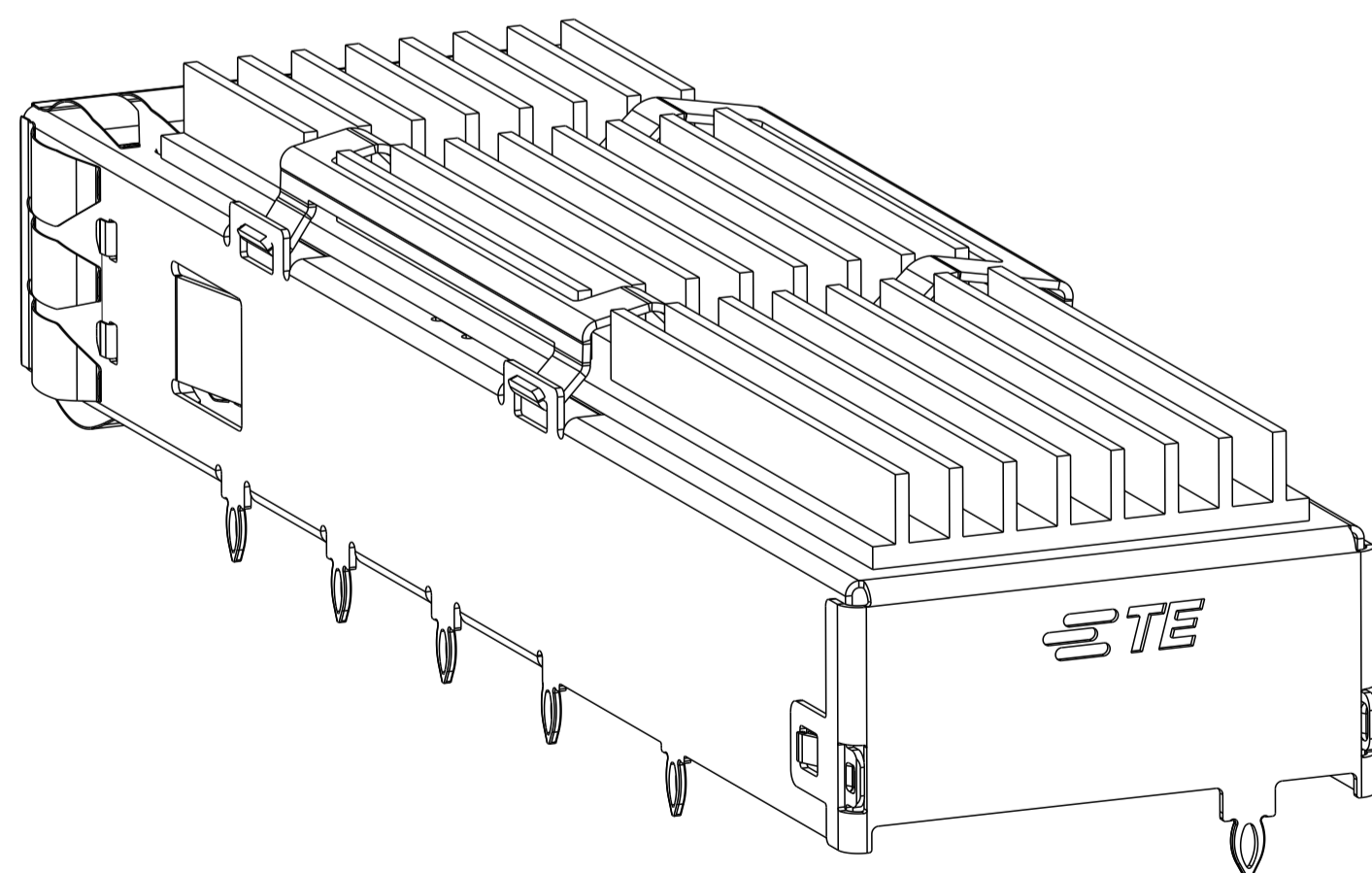
1-2342933-1 AS SHOWN SAME AS-1 EXCEPT W/O REAR PINS SCALE 4:1



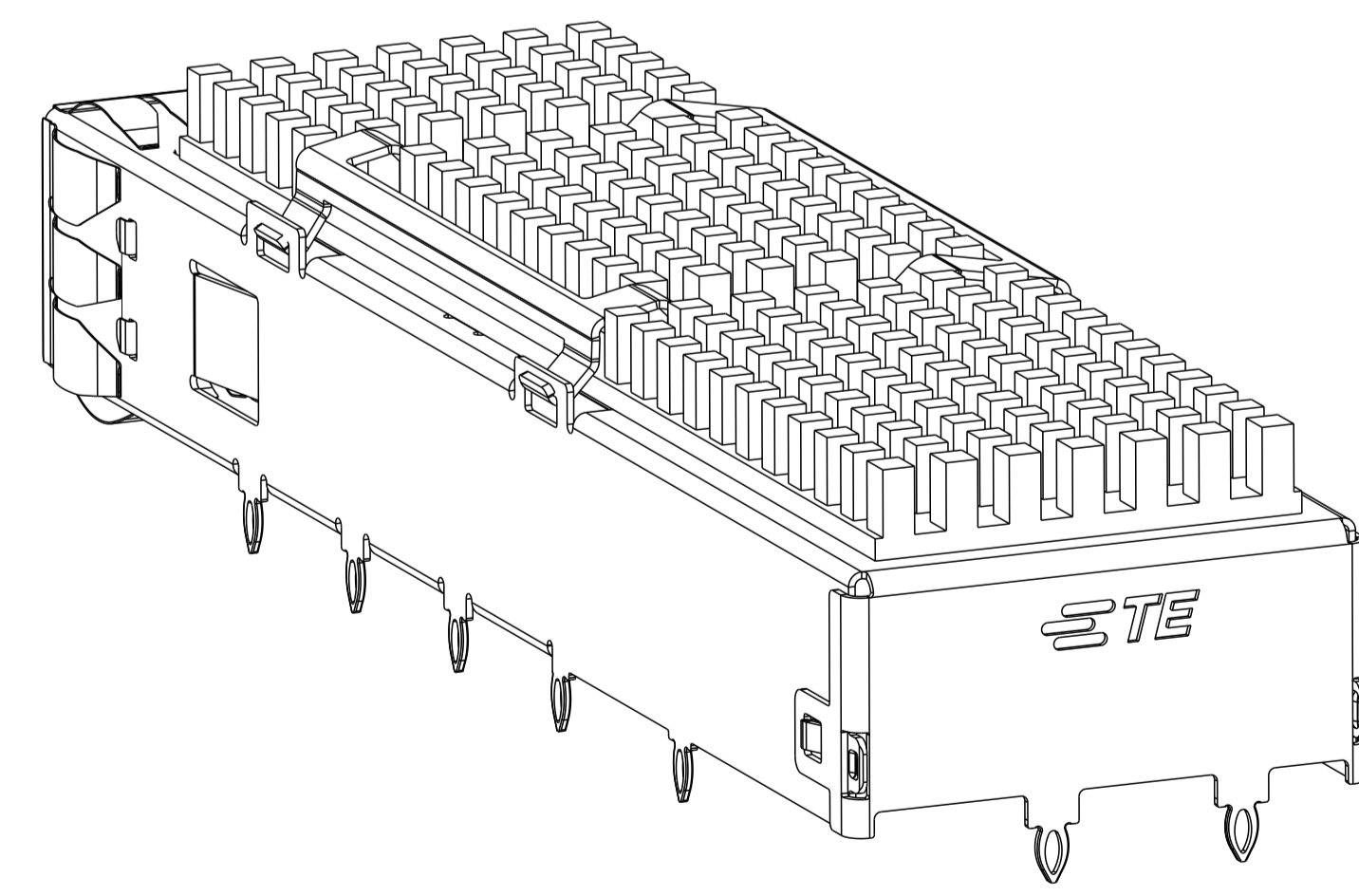
1-2342933-2 AS SHOWN SAME AS-2 EXCEPT W/O REAR PINS SCALE 4:1



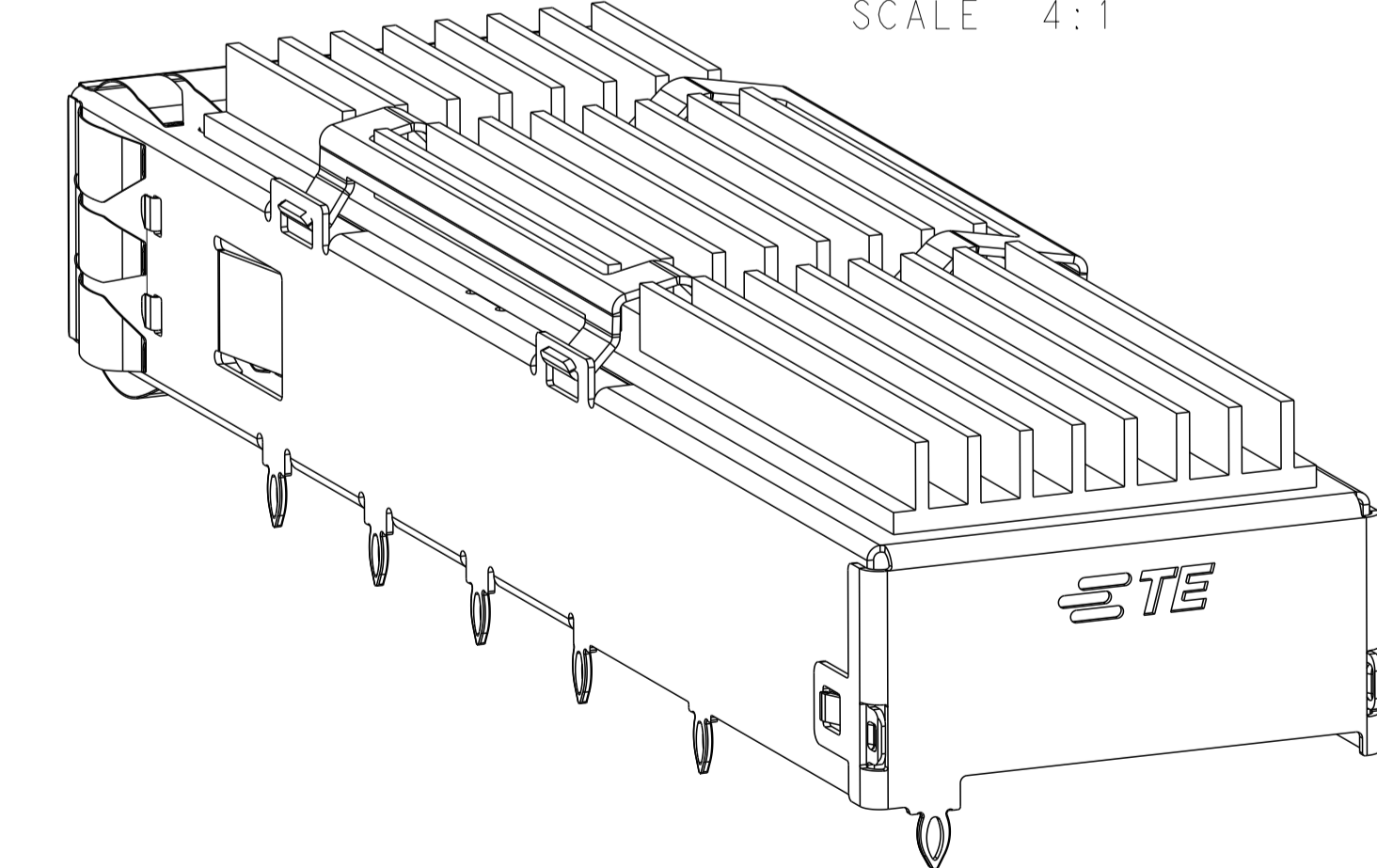
1-2342933-3 AS SHOWN SAME AS-3 EXCEPT W/O REAR PINS SCALE 4:1



5-2342933-1 AS SHOWN SAME AS -1 EXCEPT W SINGLE REAR PIN SCALE 4:1



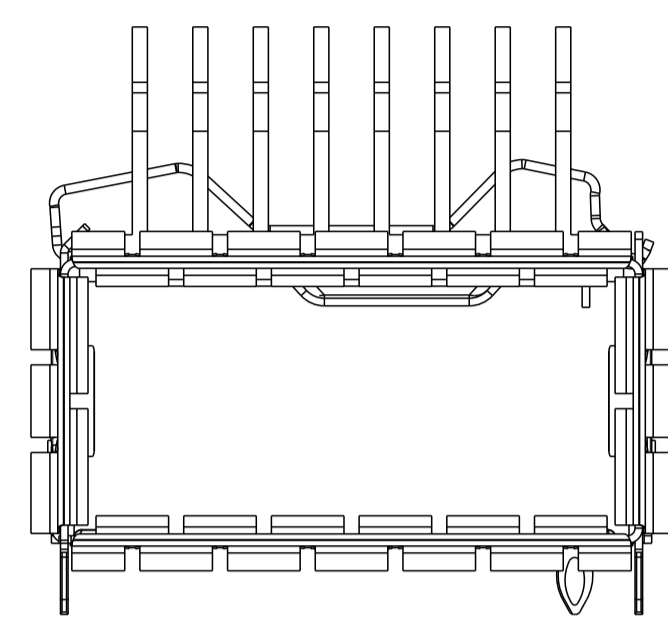
4-2342933-1 AS SHOWN SAME AS -1 EXCEPT W/ SQUARE FIN HS SCALE 4:1



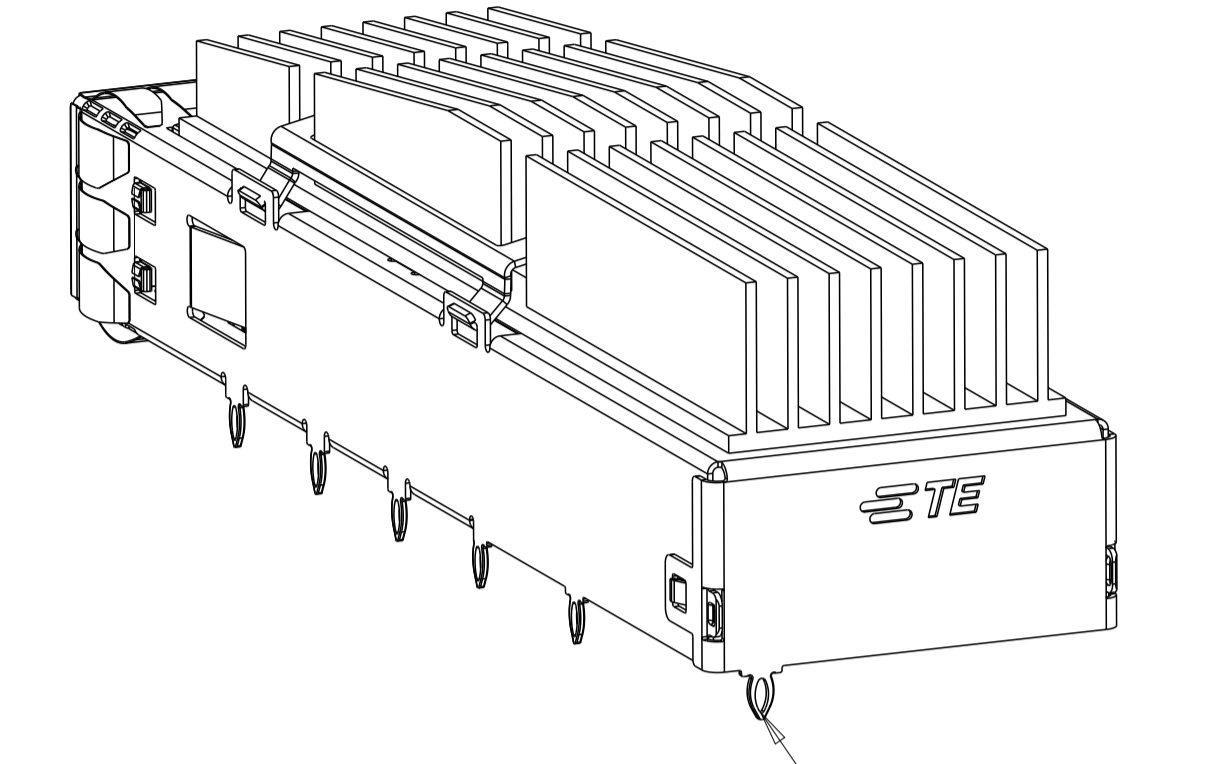
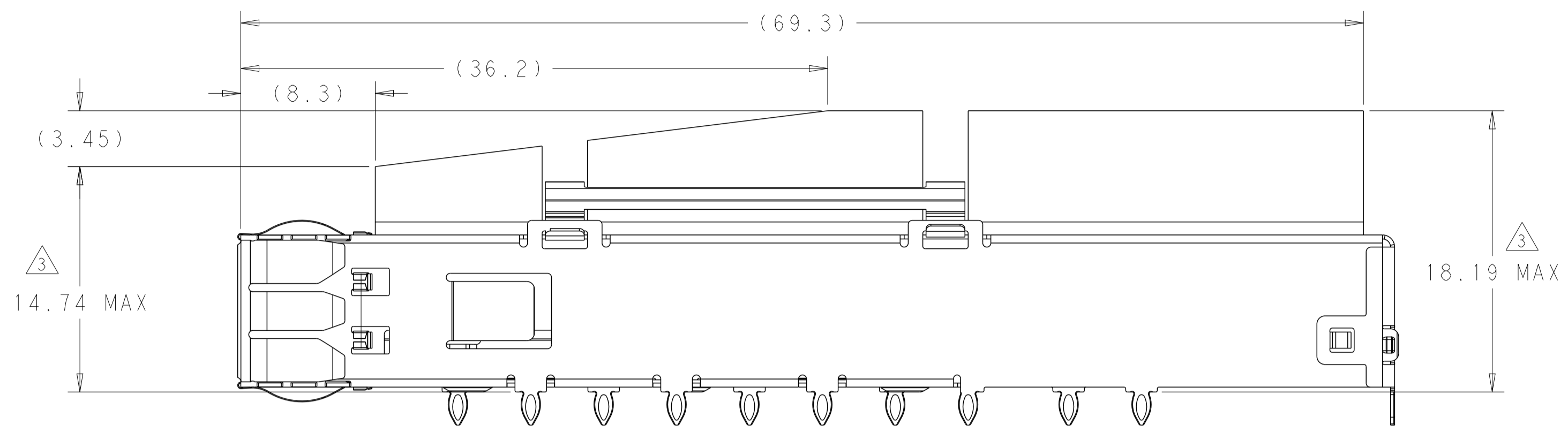
6-2342933-1 AS SHOWN SAME AS -1 EXCEPT W SINGLE REAR PIN SCALE 4:1

THIS DRAWING IS A CONTROLLED DOCUMENT.		OWN: ARTHUR JLN 29AUG2018	TE Connectivity
		CHK: SEAN HAN 29AUG2018	
DIMENSIONS:		APVD: SEAN HAN 29AUG2018	NAME: CAGE ASSEMBLY, QSFP-DD STANDARD WITH EMI SPRING FINGER
TOLERANCES UNLESS OTHERWISE SPECIFIED:		PRODUCT SPEC: 108-60122	
mm	0 PLC ±0.25	APPLICATION SPEC: 114-60025	SIZE: A1
	1 PLC ±0.25	WEIGHT: -	SCALE: 2:1
	2 PLC ±0.20	CUSTOMER DRAWING	SHEET 2 OF 11
	3 PLC ±0.10		REV: B1
	4 PLC ±0.10		
	ANGLES ±°		
	FINISH: -		

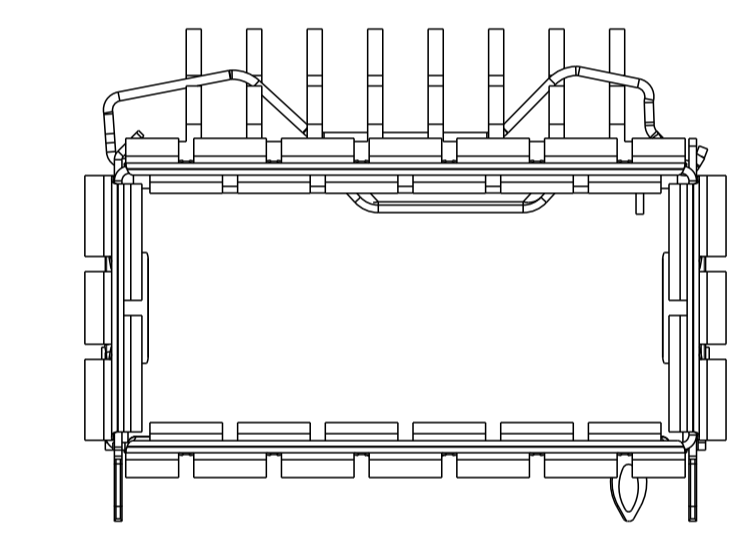
LOC		DIST		REVISIONS			
P	LTN	DESCRIPTION	DATE	DMN	APVD		
-	-	SEE SHEET 1	-	-	-		



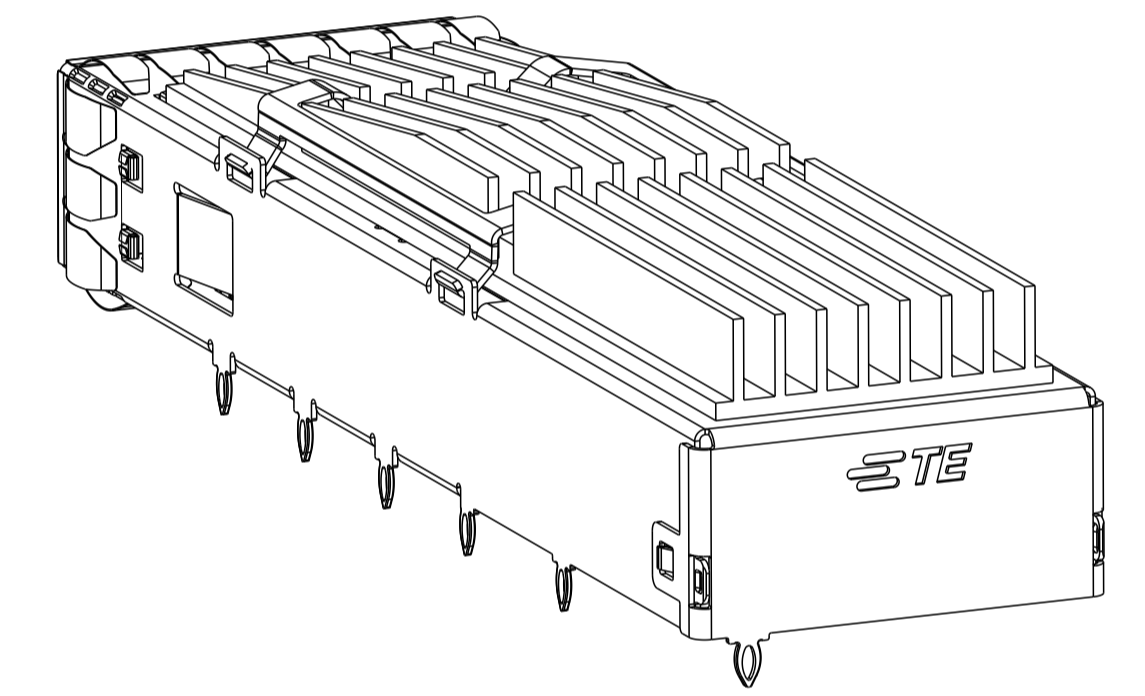
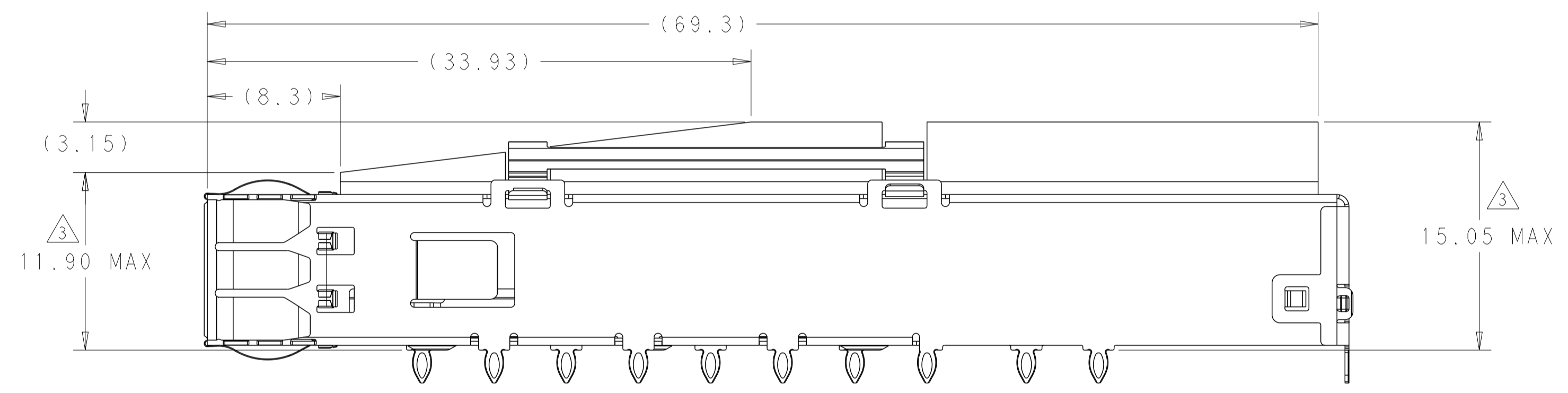
7-2342933-1 AS SHOWN
SCALE 4:1



7-2342933-1 AS SHOWN
SCALE 3:1
1 REAR PIN



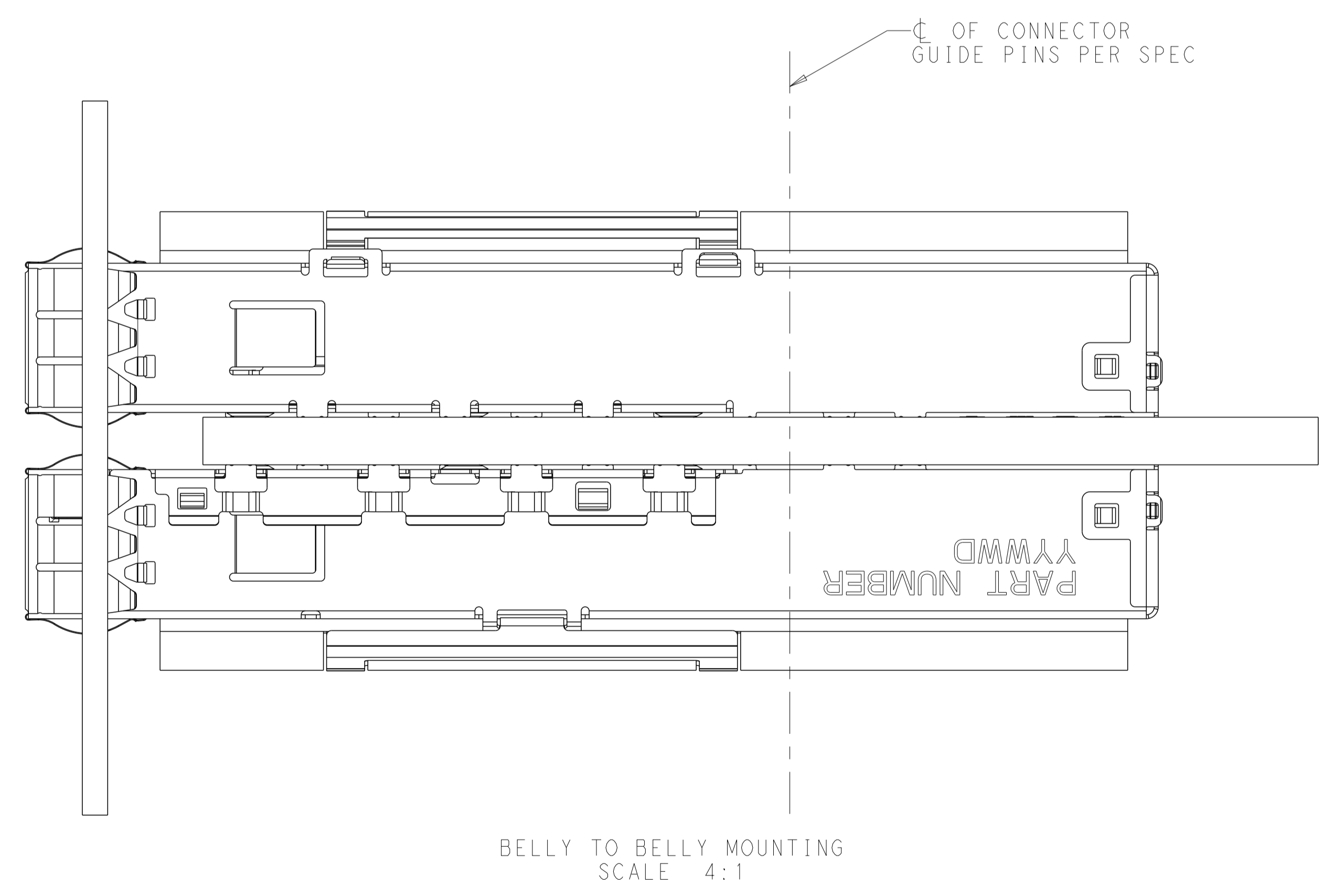
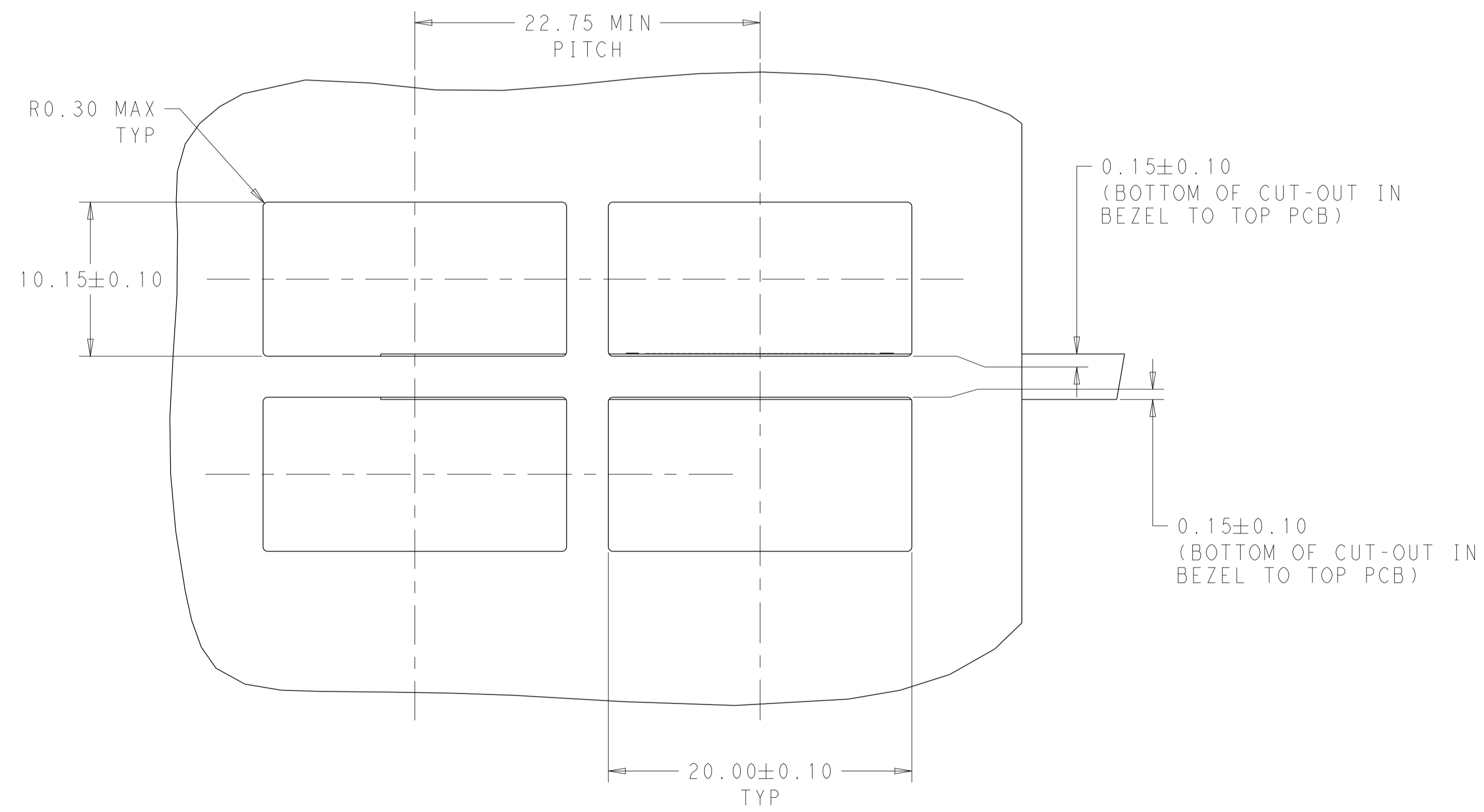
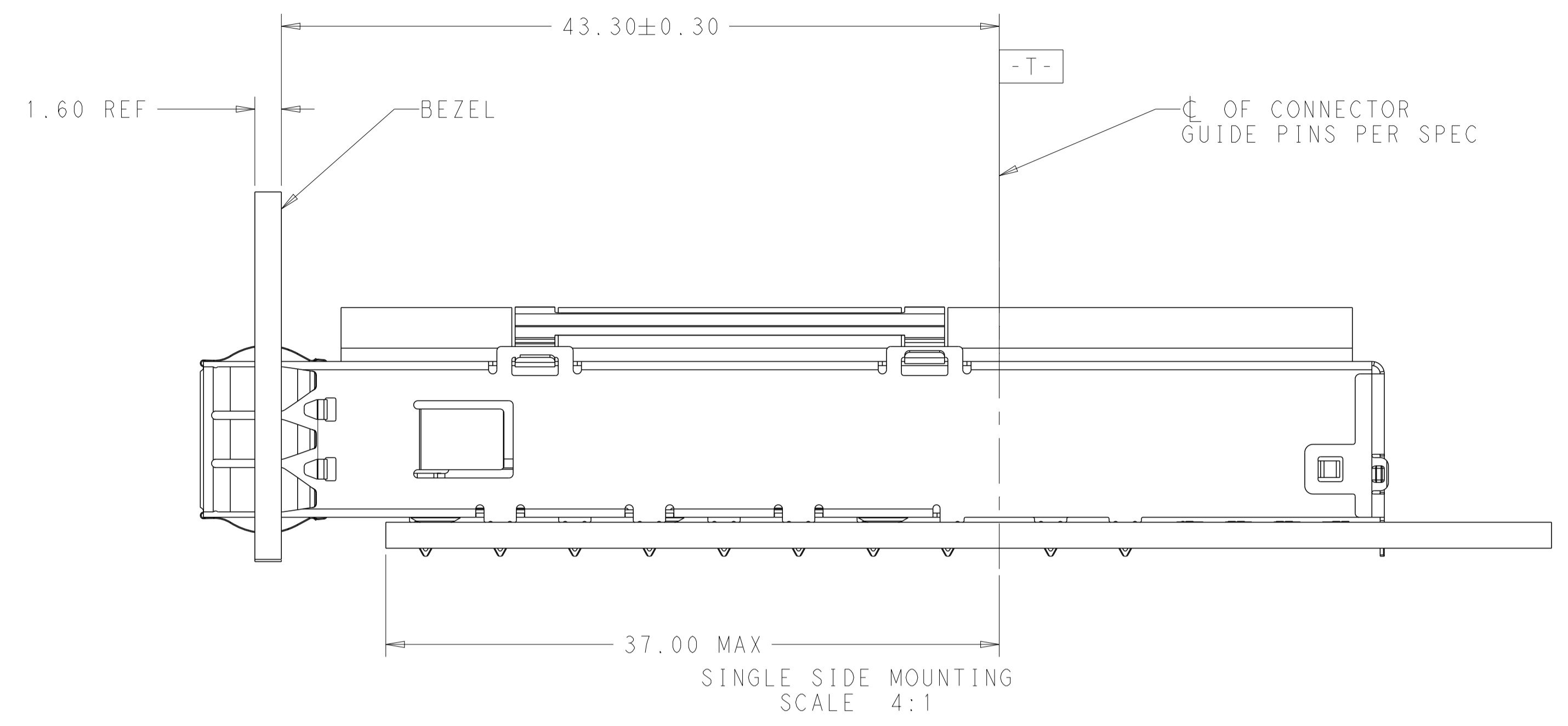
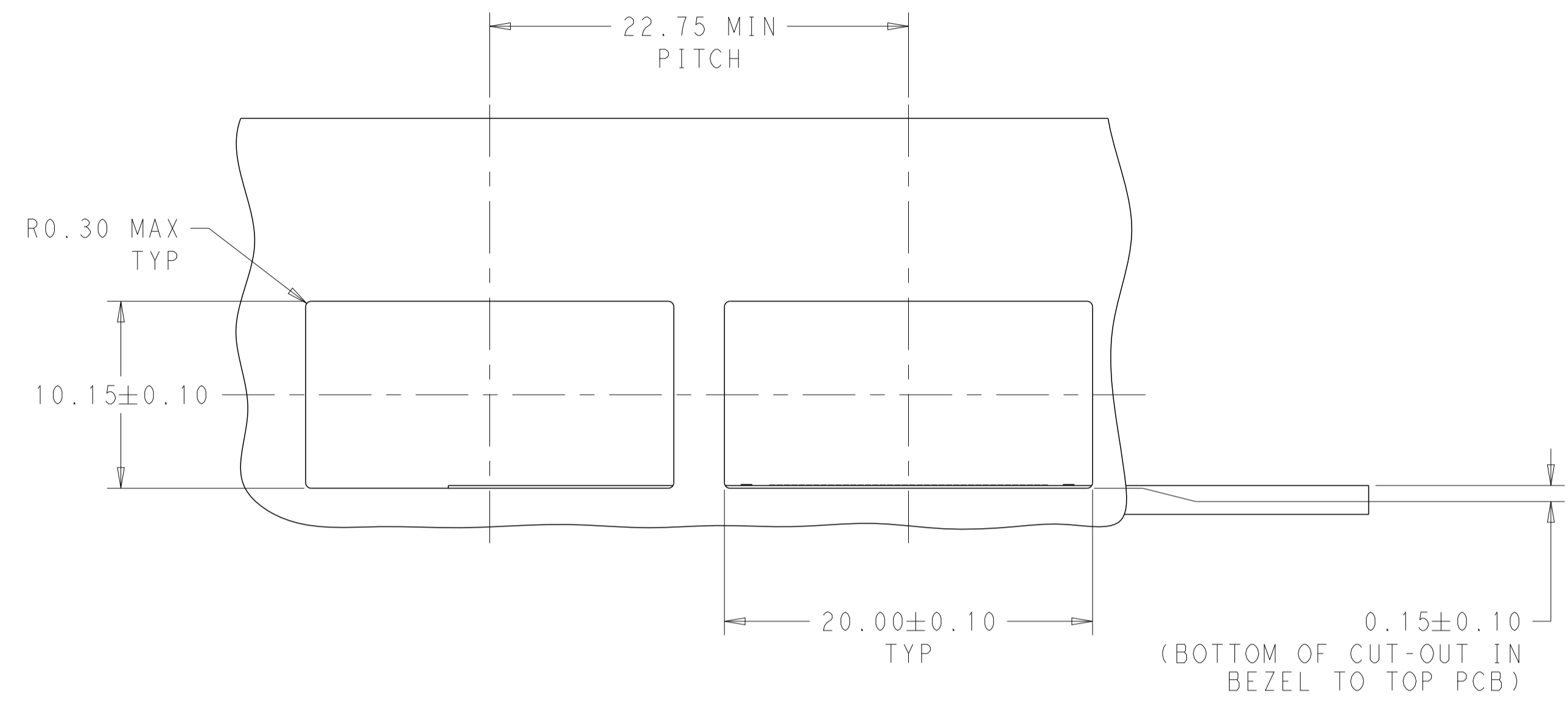
7-2342933-2 AS SHOWN
SAME AS 7-1 EXCEPT HS
SCALE 4:1



7-2342933-2 AS SHOWN
SCALE 3:1

THIS DRAWING IS A CONTROLLED DOCUMENT.		DMN: ARTHUR JLN 29AUG2018	TE Connectivity NAME: CAGE ASSEMBLY, QSFP-DD STANDARD WITH EMI SPRING FINGER	
DIMENSIONS: mm		CHK: SEAN HAN 29AUG2018		
TOLERANCES UNLESS OTHERWISE SPECIFIED:		APVD: SEAN HAN 29AUG2018	PRODUCT SPEC	RESTRICTED TO
0 PLC	±0.25	108-60122	SIZE: A1	SHEET 3 OF 11
1 PLC	±0.25	APPLICATION SPEC	SCALE: 2:1	
2 PLC	±0.20	114-60025	CAGE CODE: C=2342933	REV: B1
3 PLC	±0.10	WEIGHT: -	CUSTOMER DRAWING	
4 PLC	±			
ANGLES	±			
FINISH				

LOC		DIST		REVISIONS			
P	LTN	DESCRIPTION	DATE	DMN	APVD		
-	-	SEE SHEET 1	-	-	-		

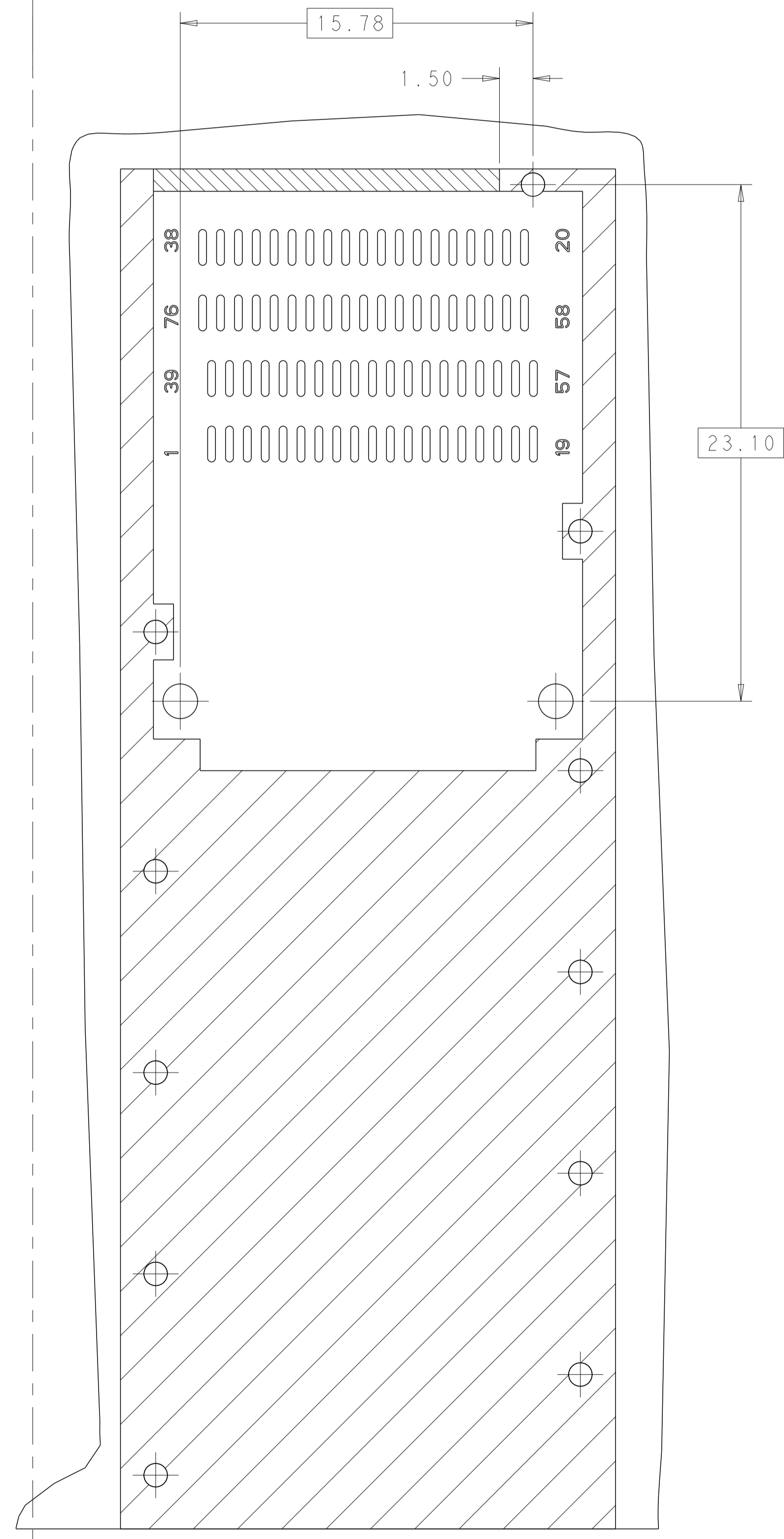


THIS DRAWING IS A CONTROLLED DOCUMENT.		DMN: ARTHUR JLN 29AUG2018	TE Connectivity
DIMENSIONS: mm		CHK: SEAN HAN 29AUG2018	
TOLERANCES UNLESS OTHERWISE SPECIFIED:		APVD: SEAN HAN 29AUG2018	NAME: CAGE ASSEMBLY, QSFP-DD STANDARD WITH EMI SPRING FINGER
0 PLC ±0.25	1 PLC ±0.25	PRODUCT SPEC: 108-60122	SIZE: A1
2 PLC ±0.20	3 PLC ±0.10	APPLICATION SPEC: 114-60025	CAGE CODE: -
4 PLC ±	ANGLES ±	WEIGHT: -	DRAWING NO: C=2342933
MATERIAL: -	FINISH: -	CUSTOMER DRAWING	RESTRICTED TO: -
SCALE: 2:1			SHEET: 4 OF 11
REV: B1			

THIS DRAWING IS UNPUBLISHED. RELEASED FOR PUBLICATION
COPYRIGHT - ALL RIGHTS RESERVED.


LOC		DIST		REVISIONS			
P	LTN	DESCRIPTION	DATE	DMN	APVD		
-	-	SEE SHEET 1	-	-	-		

- Y -

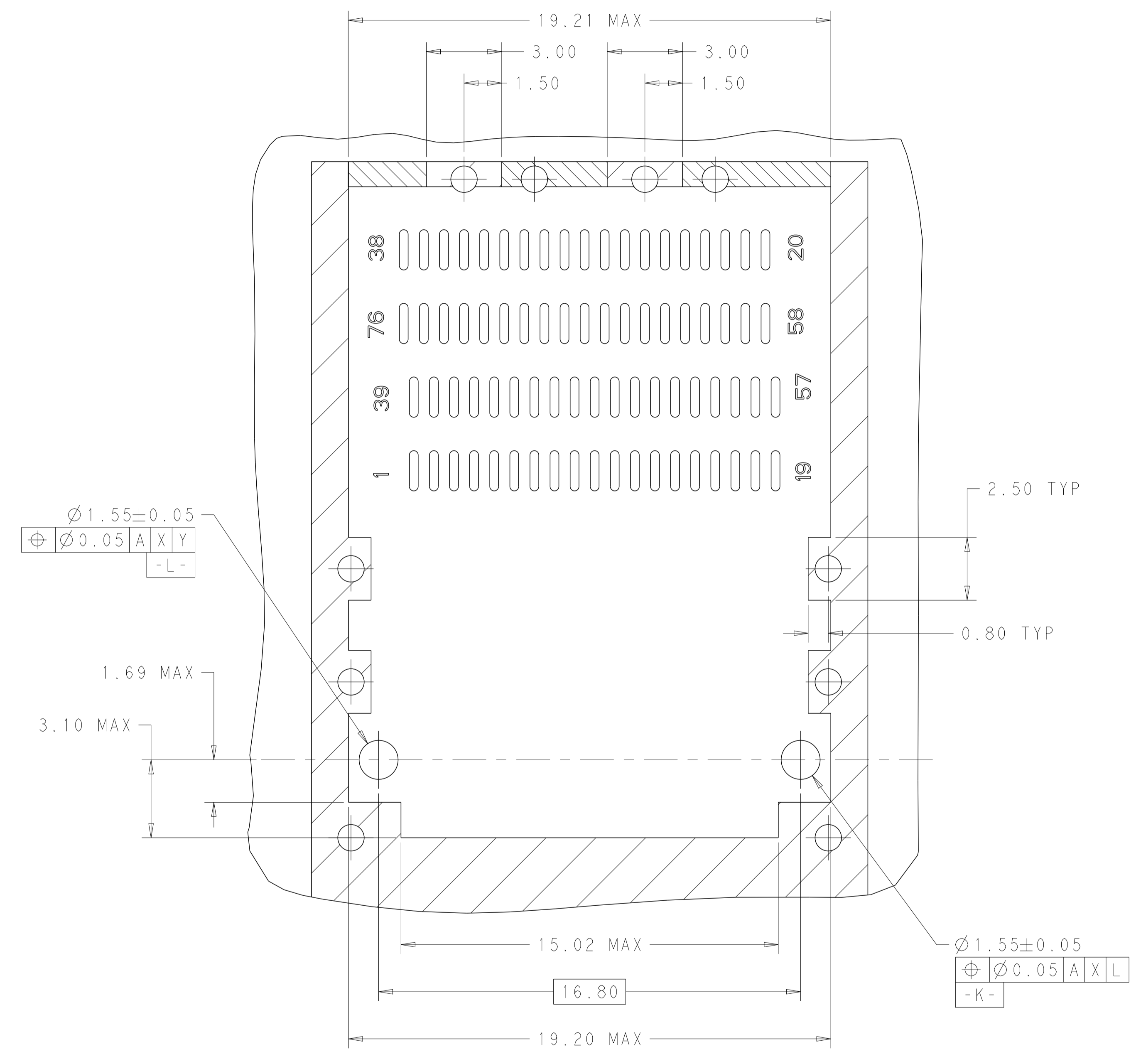
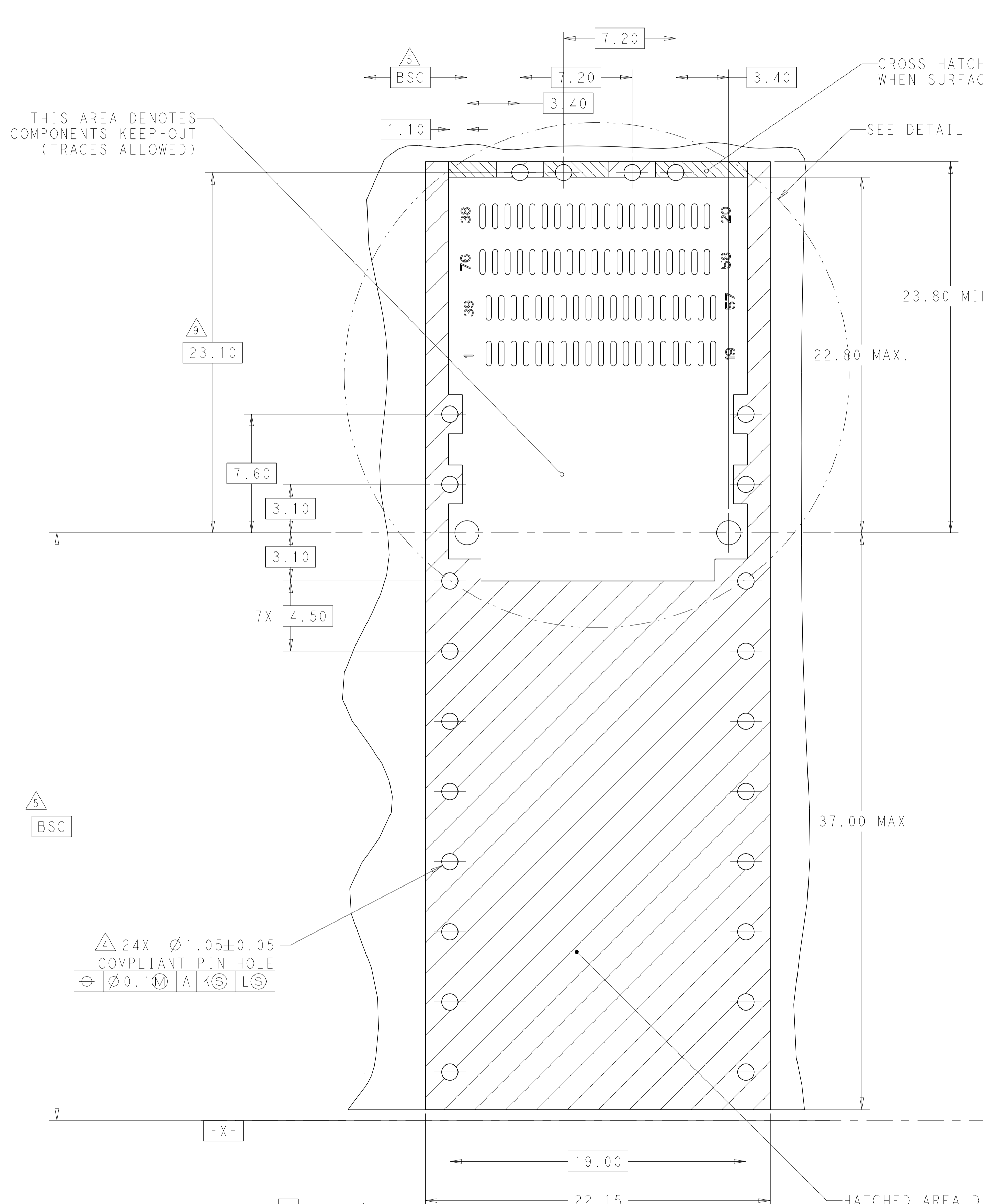


- X -

RECOMMENDED PCB LAYOUT
 SINGLE TYPE OF 1 REAR HOLES OF LEGS
 UNSPECIFIED DIMENSIONS ARE SAME AS SUNGLE TYPE OF 2 REAR HOLES OF LEGS
 PCB TOLERANCE: ±0.05
 SCALE 6:1

THIS DRAWING IS A CONTROLLED DOCUMENT.		DMN	ARTHUR JLN	29AUG2018	 TE Connectivity
		CHK	SEAN HAN	29AUG2018	
DIMENSIONS:		TOLERANCES UNLESS OTHERWISE SPECIFIED:		NAME	
mm	0 PLC ±0.25	APVD		SEAN HAN 29AUG2018	
	1 PLC ±0.25	PRODUCT SPEC		108-60122	
	2 PLC ±0.20	APPLICATION SPEC		114-60025	
	3 PLC ±0.10	SIZE		A1	
	4 PLC ±	CAGE CODE		-	
	ANGLES	DRAWING NO		C=2342933	
	FINISH	RESTRICTED TO		-	
MATERIAL		WEIGHT		-	
		CUSTOMER DRAWING		SCALE 2:1 SHEET 6 OF 11 REV B1	

LOC		DIST		REVISIONS			
P	LTN	DESCRIPTION	DATE	OWN	APVD		
-	-	SEE SHEET 1	-	-	-		



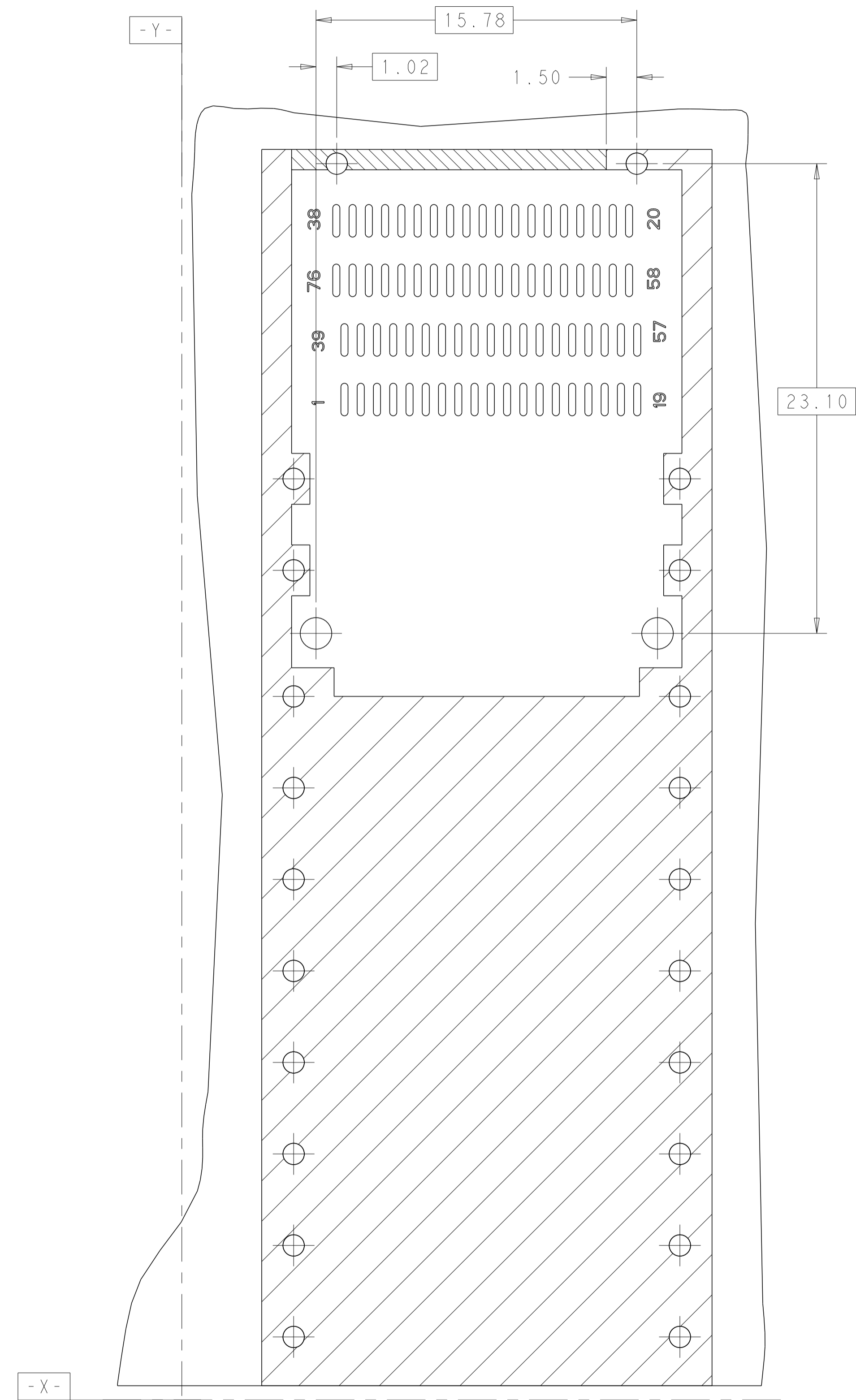
DETAIL C
SCALE 8:1

RECOMMENDED PCB LAYOUT
BELLY TO BELLY TYPE OF 2 REAR HOLES OF LEGS
PCB TOLERANCE: ±0.05
SCALE 6:1

THIS DRAWING IS A CONTROLLED DOCUMENT.		OWN: ARTHUR JLN 29AUG2018	TE Connectivity
DIMENSIONS: mm		CHK: SEAN HAN 29AUG2018	
TOLERANCES UNLESS OTHERWISE SPECIFIED:		APVD: SEAN HAN 29AUG2018	NAME: CAGE ASSEMBLY, QSPF-DD STANDARD WITH EMI SPRING FINGER
0 PLC ±0.25	1 PLC ±0.25	PRODUCT SPEC: 108-60122	SIZE: A1
2 PLC ±0.20	3 PLC ±0.10	APPLICATION SPEC: 114-60025	CAGE CODE: -
4 PLC ±0.10	ANGLES ±°	WEIGHT: -	DRAWING NO: C=2342933
MATERIAL: -	FINISH: -	CUSTOMER DRAWING	RESTRICTED TO: -
SCALE: 2:1			SHEET: 7 OF 11
REV: B1			

LOC		DIST		REVISIONS			
P	LTN	DESCRIPTION	DATE	DMN	APVD		
-	-	SEE SHEET 1	-	-	-		

BELOW LAYOUT APPLY TO 6-1/7-1/7-2



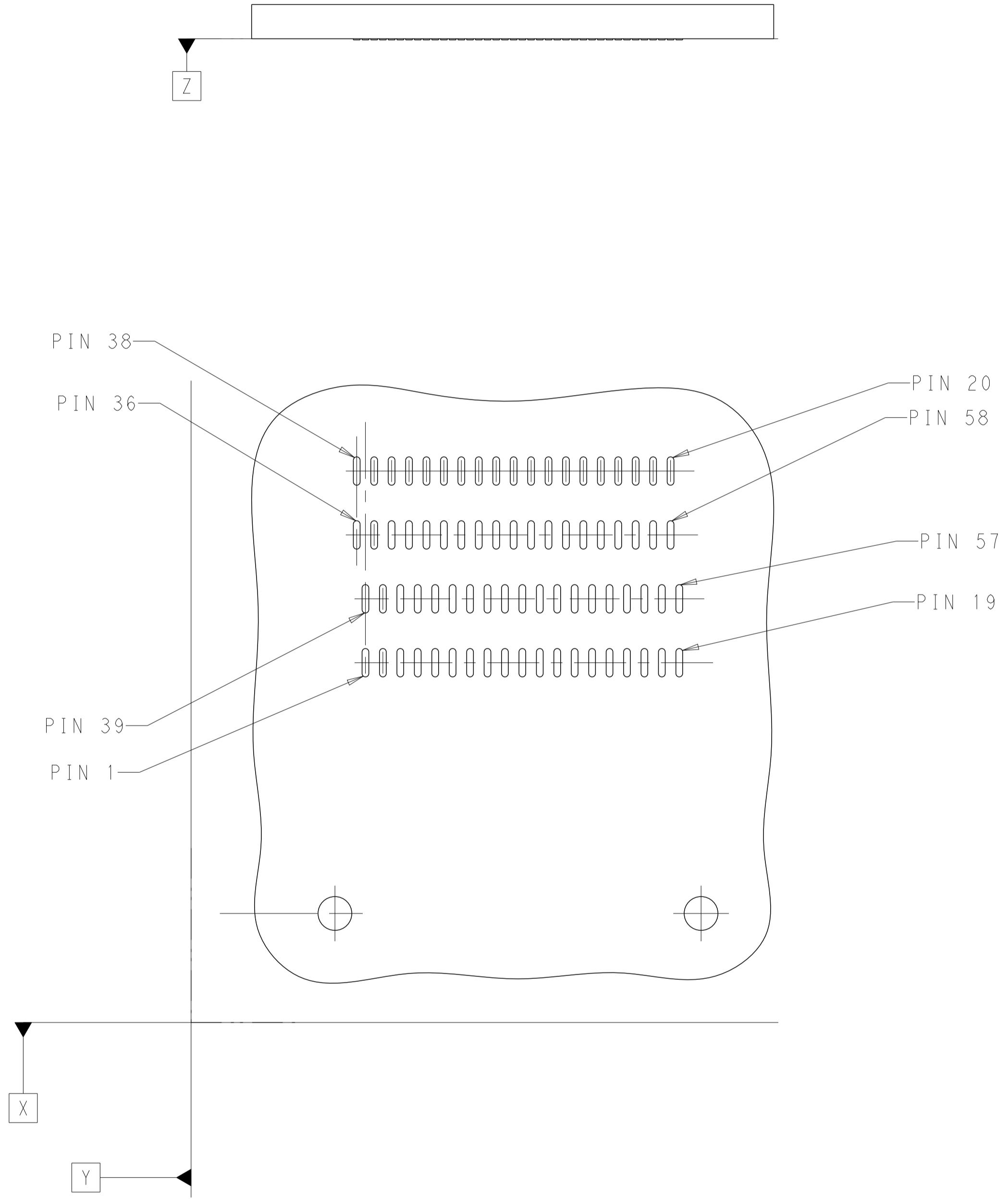
RECOMMENDED PCB LAYOUT
 BELLY TO BELLY OF 1 REAR HOLES OF LEGS
 UNSPECIFIED DIMENSIONS ARE SAME AS BELLY TO BELLY OF 2 REAR HOLES OF LEGS
 PCB TOLERANCE: ±0.05 SCALE 6:1

THIS DRAWING IS A CONTROLLED DOCUMENT.		DMN: ARTHUR JLN 29AUG2018	TE Connectivity
DIMENSIONS: mm		CHK: SEAN HAN 29AUG2018	
TOLERANCES UNLESS OTHERWISE SPECIFIED:		APVD: SEAN HAN 29AUG2018	NAME: CAGE ASSEMBLY, QSPF-DD STANDARD WITH EMI SPRING FINGER
0 PLC ±0.25	1 PLC ±0.25	PRODUCT SPEC: 108-60122	SIZE: A1
2 PLC ±0.20	3 PLC ±0.10	APPLICATION SPEC: 114-60025	CAGE CODE: -
4 PLC ±	ANGLES ±	WEIGHT: -	DRAWING NO: C=2342933
MATERIAL: -		CUSTOMER DRAWING	RESTRICTED TO: -
		SCALE: 2:1	SHEET: 8 OF 11
			REV: B1

THIS DRAWING IS UNPUBLISHED. RELEASED FOR PUBLICATION
 © COPYRIGHT - ALL RIGHTS RESERVED.

LOC		DIST		REVISIONS			
P	LTN	DESCRIPTION	DATE	DMN	APVD		
-	-	SEE SHEET 1	-	-	-		

NOTES: RECOMMENDED PCB LAYOUT FOR 112G
 DETAILS SEE DRAWING NO. 2372133

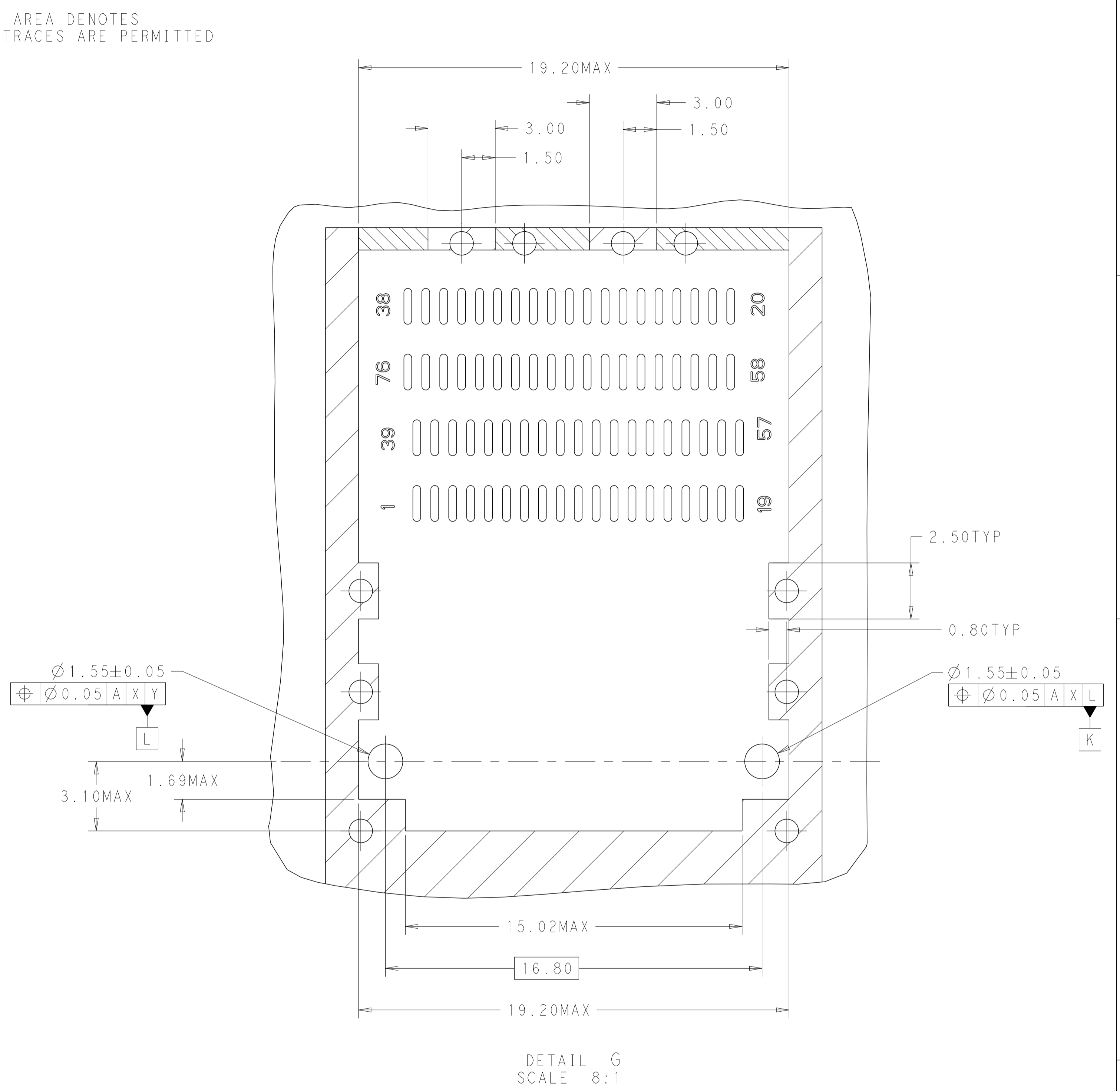
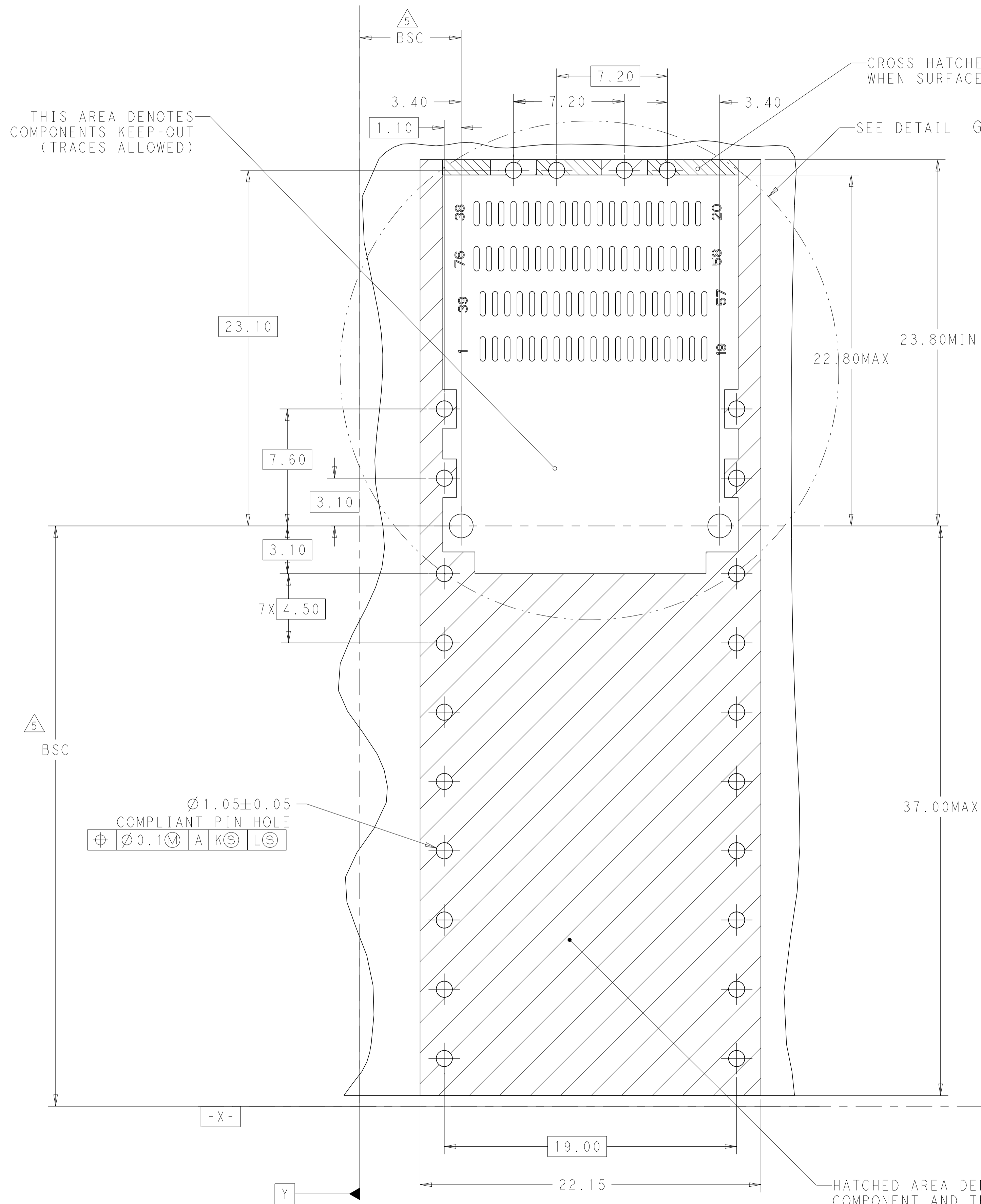


RECOMMENDED PCB LAYOUT FOR 112G
 DETAILS SEE DRAWING 2372133
 SCALE 6:1

THIS DRAWING IS A CONTROLLED DOCUMENT.		DMN: ARTHUR JLN 29AUG2018	
		CHK: SEAN HAN 29AUG2018	
DIMENSIONS:		APVD: SEAN HAN 29AUG2018	NAME: CAGE ASSEMBLY, QSFP-DD STANDARD WITH EMI SPRING FINGER
TOLERANCES UNLESS OTHERWISE SPECIFIED:		PRODUCT SPEC: 108-60122	
mm	0 PLC ±0.25	APPLICATION SPEC: 114-60025	RESTRICTED TO:
	1 PLC ±0.25	WEIGHT: -	A1
	2 PLC ±0.20	CUSTOMER DRAWING	SCALE 2:1 SHEET 9 OF 11 REV B1
	3 PLC ±0.10		
	4 PLC ±		
	ANGLES ±		
	FINISH ±		

LOC	DIST	REV	DATE	BY	APPV
-	-	1	-	-	-
REVISIONS			DATE	BY	APPV
DESCRIPTION					
SEE SHEET 1					

NOTES: RECOMMENDED PCB LAYOUT FOR 112G



RECOMMENDED PCB LAYOUT
BELLY TO BELLY TYPE OF 2 REAR HOLES OF LEGS
PCB TOLERANCE: ±0.05
SCALE 6:1

THIS DRAWING IS A CONTROLLED DOCUMENT.		OWN: ARTHUR JIN 29AUG2018	TE Connectivity
DIMENSIONS: mm		CHK: SEAN HAN 29AUG2018	
TOLERANCES UNLESS OTHERWISE SPECIFIED:		APPV: SEAN HAN 29AUG2018	NAME: CAGE ASSEMBLY, QSPF-DD STANDARD WITH EMI SPRING FINGER
0 PLC ±0.25	1 PLC ±0.25	PRODUCT SPEC: 108-60122	SIZE: A1
2 PLC ±0.20	3 PLC ±0.10	APPLICATION SPEC: 114-60025	CAGE CODE: 2342933
4 PLC ±0.10	ANGLES ±°	WEIGHT: -	RESTRICTED TO: -
MATERIAL: -	FINISH: -	CUSTOMER DRAWING	SCALE: 2:1 SHEET 11 OF 11 REV: B1