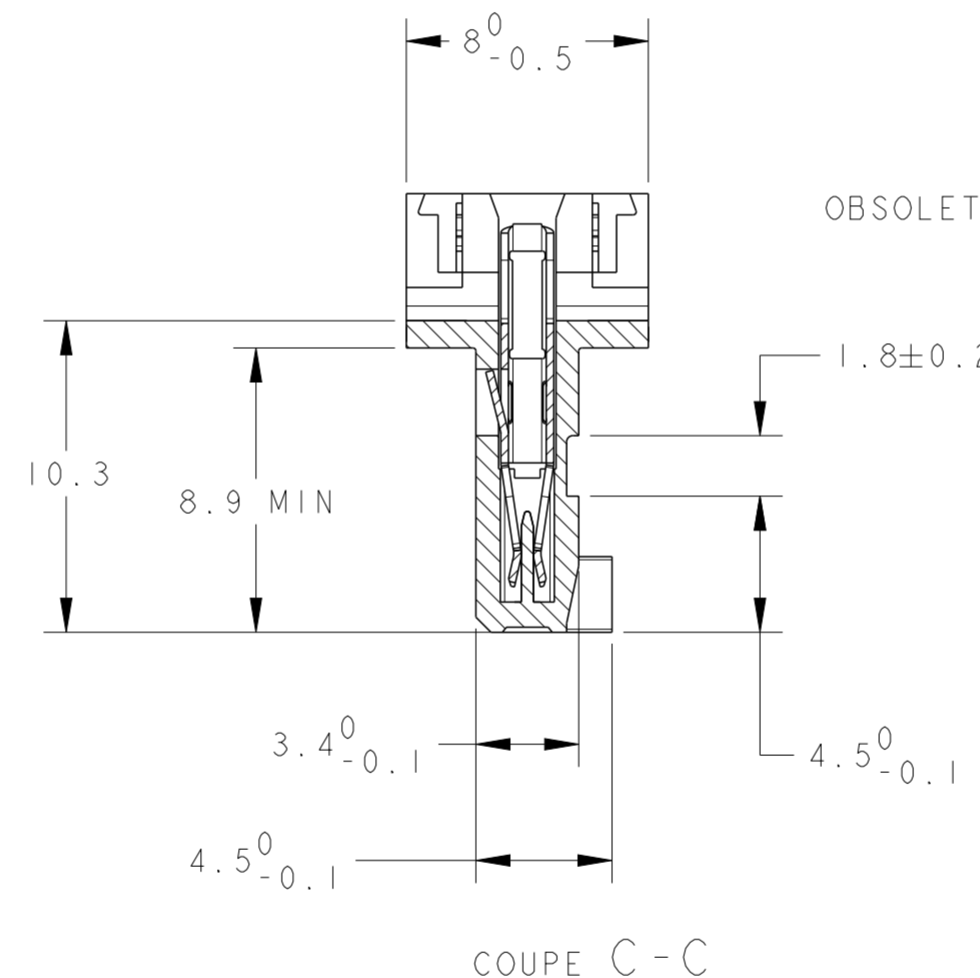
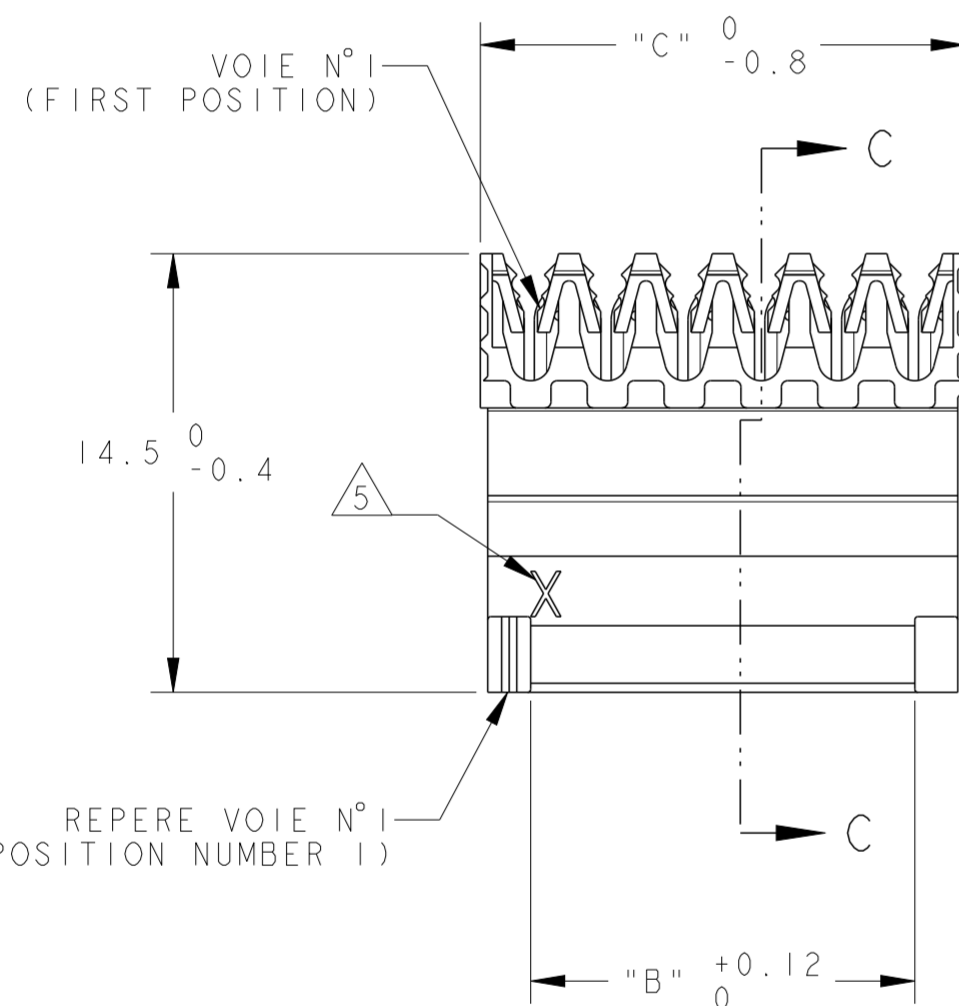
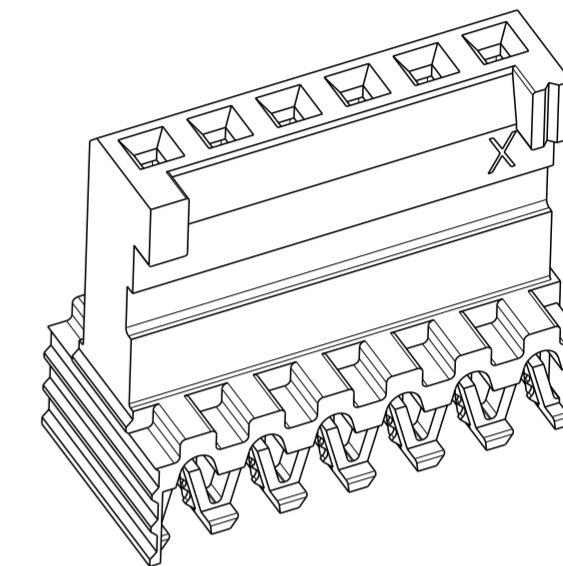
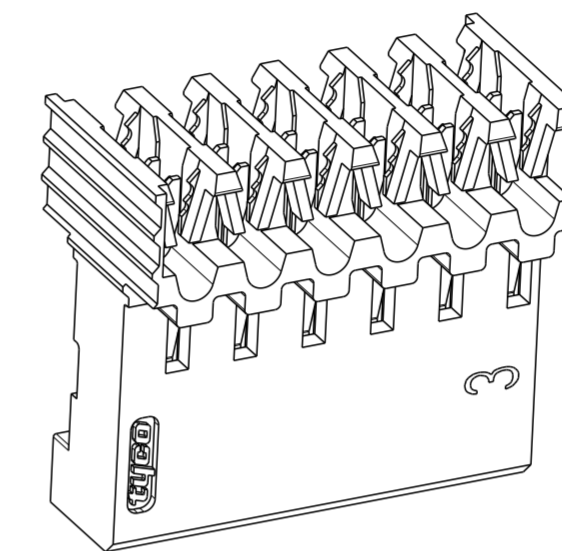
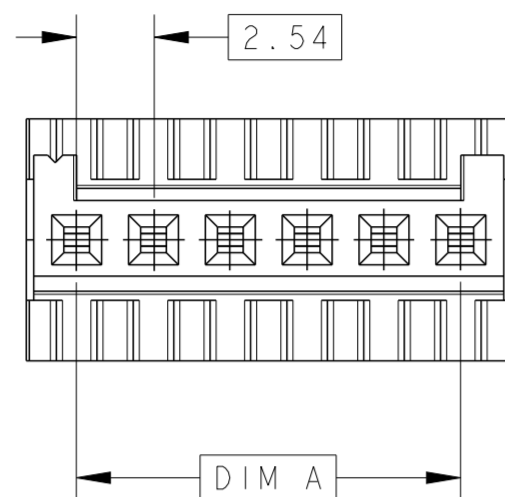


FILS ADMISSIBLES (ACCEPTABLES WIRES)

JAUGE (AWG) SECTION / 7 BRINS (7 STRANDS)	26 0.12mm ²
ISOLANT: Ø MAX / MATIERE (INSUL.: Ø MAX / MAT'L)	Ø 1 / PVC

REVISIONS

P	LTR	DESCRIPTION	DATE	DWN	APVD
	B4	DRAWING REACTIVATED	21 JUN 2022	MP	JK



OBSOLETE

OBSOLETE	9	64.30	60.96	25	2-281711-5	2-144271-5
OBSOLETE	9	61.76	58.42	24	2-281711-4	2-144271-4
OBSOLETE	10	59.22	55.88	23	2-281711-3	2-144271-3
OBSOLETE	10	56.68	53.34	22	2-281711-2	2-144271-2
OBSOLETE	10	54.14	50.80	21	2-281711-1	2-144271-1
OBSOLETE	11	51.60	48.26	20	2-281711-0	2-144271-0
OBSOLETE	12	49.06	45.72	19	1-281711-9	1-144271-9
OBSOLETE	12	46.52	43.18	18	1-281711-8 *	1-144271-8 *
OBSOLETE	13	43.98	40.64	17	1-281711-7	1-144271-7
OBSOLETE	14	41.44	38.10	16	1-281711-6	1-144271-6
OBSOLETE	15	38.90	35.56	15	1-281711-5 *	1-144271-5 *
OBSOLETE	16	36.36	33.02	14	1-281711-4	1-144271-4
OBSOLETE	17	33.82	30.48	13	1-281711-3	1-144271-3
OBSOLETE	18	31.28	27.94	12	1-281711-2 *	1-144271-2 *
OBSOLETE	20	28.74	25.40	11	1-281711-1	1-144271-1
OBSOLETE	25	26.20	22.86	10	1-281711-0 *	1-144271-0 *
OBSOLETE	25	23.66	20.32	9	0-281711-9	0-144271-9
OBSOLETE	25	21.12	17.78	8	0-281711-8 *	0-144271-8 *
OBSOLETE	30	18.58	15.24	7	0-281711-7	0-144271-7
	35	16.04	12.70	6	0-281711-6 *	0-144271-6 *
	40	13.50	10.16	5	0-281711-5 *	0-144271-5 *
	50	10.96	7.62	4	0-281711-4 *	0-144271-4 *
	70	8.42	5.08	3	0-281711-3 *	0-144271-3 *
	100	5.88	2.54	2	0-281711-2	0-144271-2
QUANT / TUBE	C		A, B	Nb DE POS	4	
DIMENSIONS				REFERENCES (PART No)		

1 CES CONNECTEURS SONT PREVUS POUR ETRE ACCOUPLES AVEC LES EMBASES 'HE1402' SIMPLE RANGEE

(THESE CONNECTEURS ARE DESIGNED TO BE MATED WITH 'HE1402' HEADERS SINGLE ROW)

2 LES REFERENCES SUIVIES D'UN ' * ' SONT LES VERSIONS NORMALISEES SELON LA 'CEI 603-8'

(THE PART-NO FOLLOWED BY ' * ' ARE COVERED BY THE INTERNATIONAL STANDARD 'IEC 603-8')

3 REVETEMENT DES CONTACTS: ETAIN SANS PLOMB

(THE CONTACTS ARE TIN PLATED LEAD FREE)

4 CONNECTEURS CONDITIONNES SOUS TUBE PVC

(THESE CONNECTEURS ARE PACKAGED IN TUBE)

5 ' X ' EST REMPLACE PAR LE DEUXIEME CHIFFRE DES JAUGES AWG

(' X ' REPLACED BY THE SECOND DIGIT OF AWG AS DEFINED IN TABLE)

6 MATIERES - BOITIER: PBT UL94V0
- CONTACTS: BRONZE PHOSPHOREUX

(MATERIALS - CASE: PBT UL94V0
- CONTACTS: PHOSPHOR BRONZE)

THIS DRAWING IS A CONTROLLED DOCUMENT.

DIMENSIONS: mm	TOLERANCES UNLESS OTHERWISE SPECIFIED:	DWN: C. COMBEDOUZON 17 NOV 2000	CHK: T. CORRIOU 17 NOV 2000	APVD: Y. PETRONIN 17 NOV 2000
0 PLC ±0.3	1 PLC ±0.3	2 PLC ±0.3	3 PLC ±0.3	4 PLC ±0.3
ANGLES ±5°	FINISH	PRODUCT SPEC: 108-15053	APPLICATION SPEC: 114-15030	WEIGHT: -
MATERIAL: 6	FINISH: 3	CUSTOMER DRAWING		

TE Connectivity		NAME: HE 1402 PLUG 90deg IDC SINGLE ROW	
SIZE: A2	CAGE CODE: 0779	DRAWING NO: C-281711	RESTRICTED TO: -
SCALE: 4:1	SHEET: 1	OF: 1	REV: B4