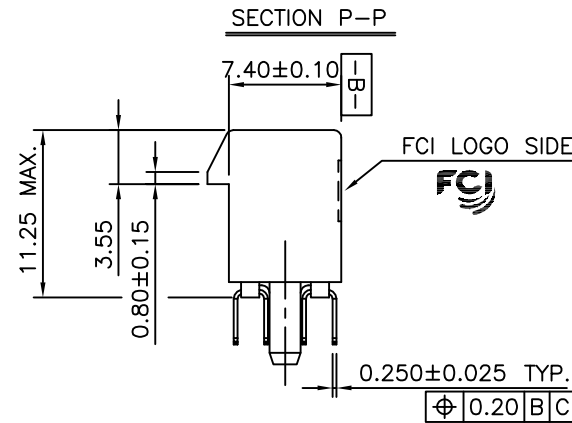
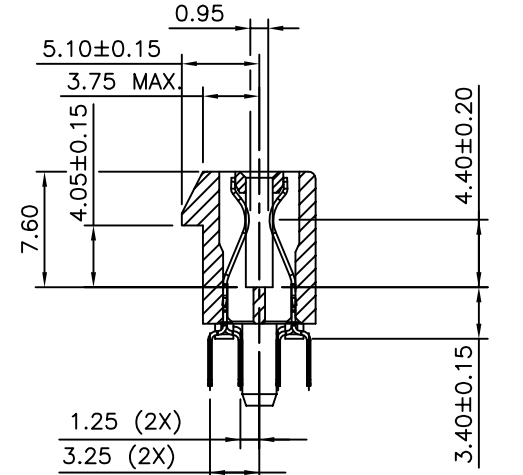
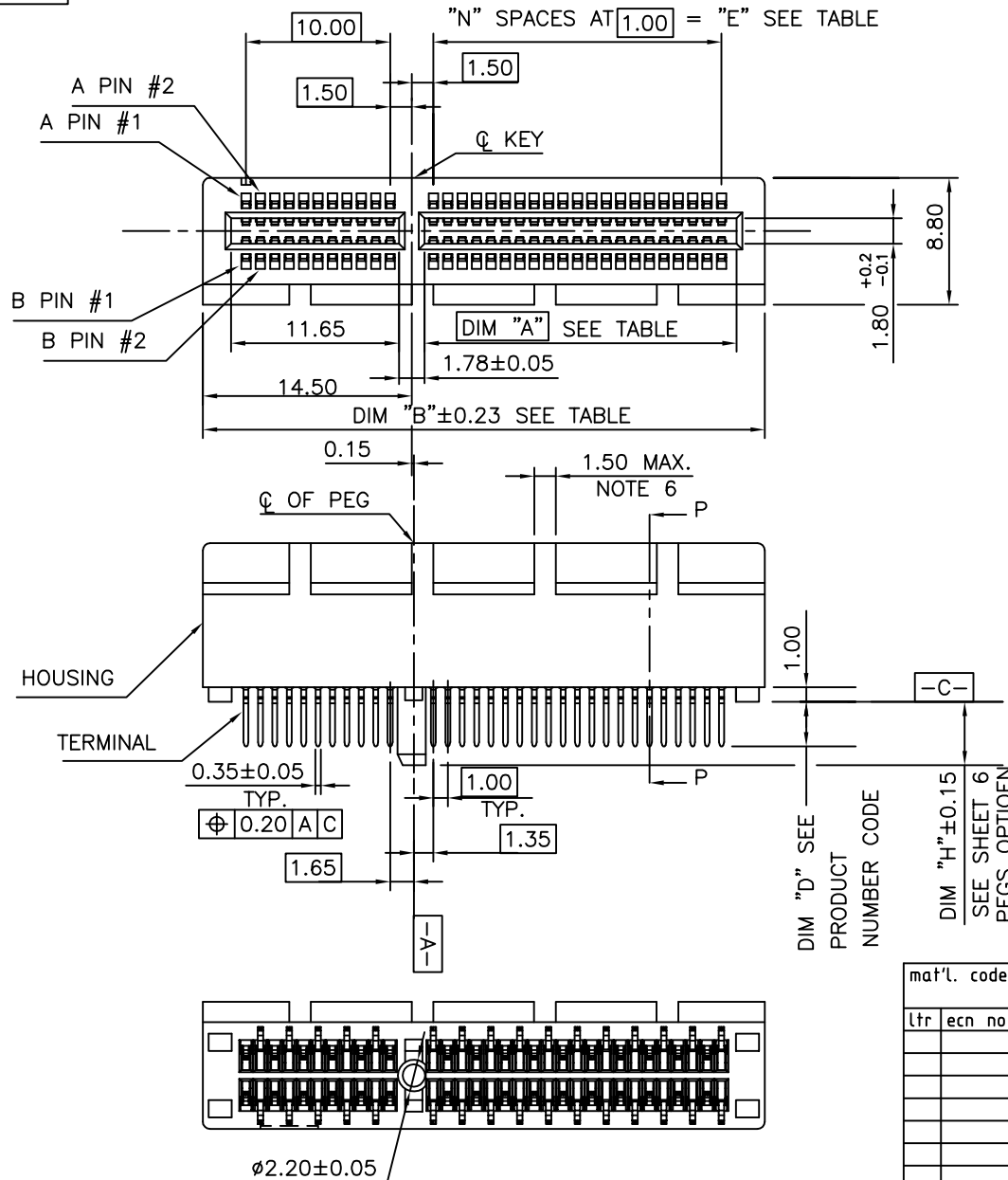


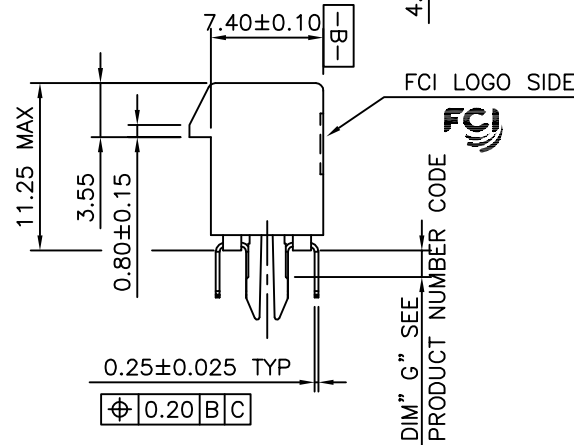
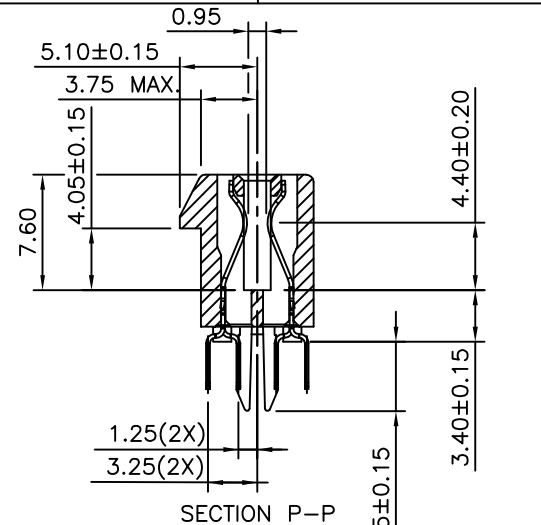
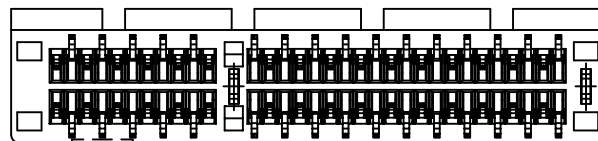
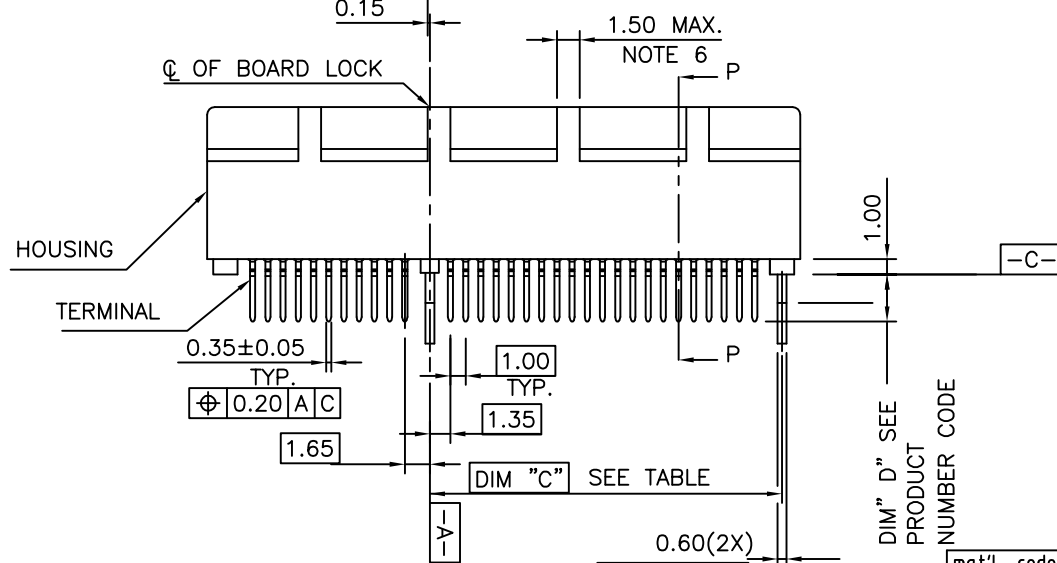
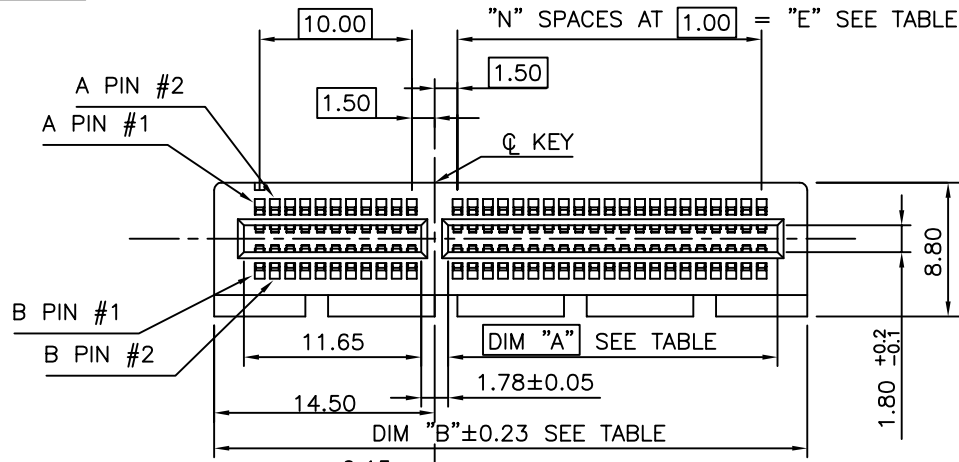
PRODUCT NO.
10018783-X2XXXX



SINGLE PLASTIC PEG TYPE

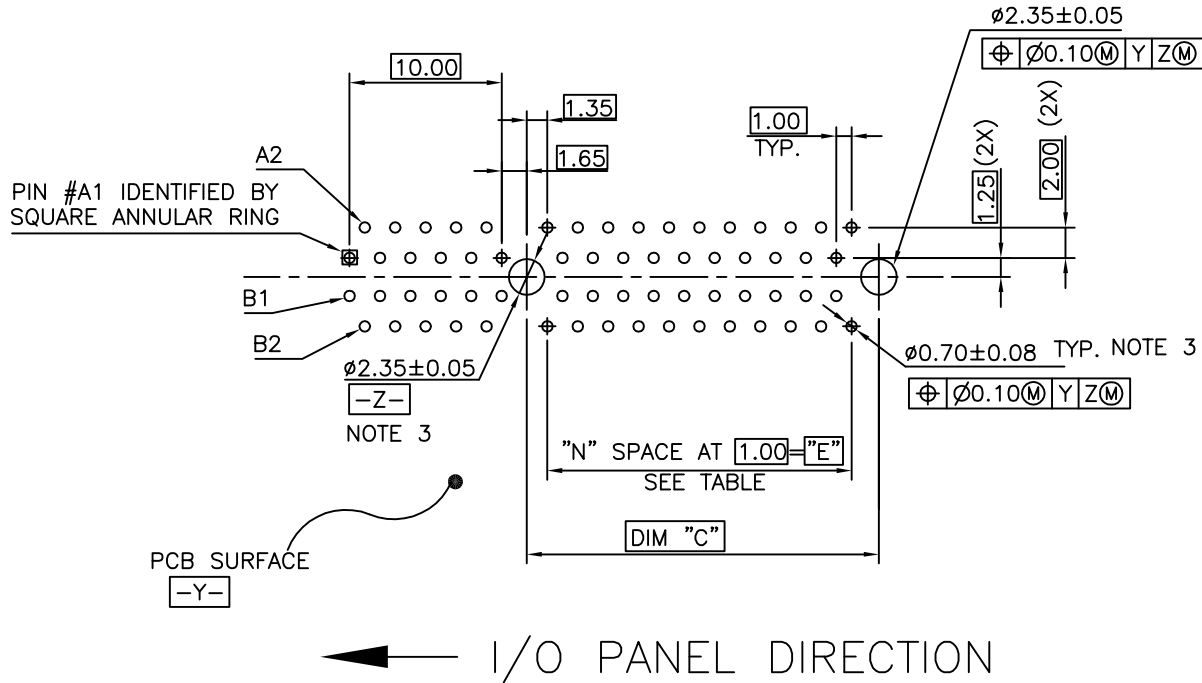
mat'l. code		surface		tolerance		projection		product family	
-		-		ASME_Y14.5		⊕		PCI_EXPRESS	
ltr		ecn no		dr		date		title	
								PCI_EXPRESS_GEN3 CARD_EDGE_ASSY	
								dwg no	
								10018783	
								sheet 2 of 7	
								size	
								A4	
								type	
								CUSTOMER Drawing	
sheet index		revision sheet		z					

PRODUCT NO.
10018783-X1XXXX



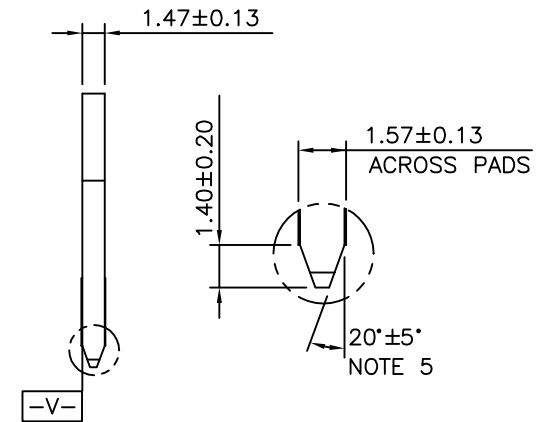
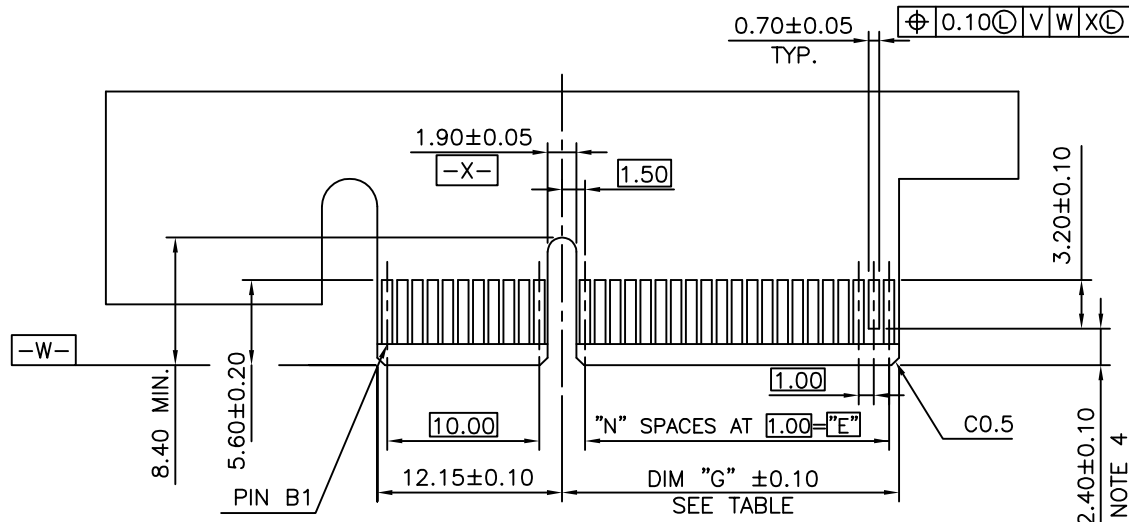
METAL BOARD LOCKS TYPE

mat'l. code		surface		tolerance		projection		product family	
-		-		ASME_Y14.5		MM		PCI_EXPRESS	
ltr		ecn no		date		tolerances unless otherwise specified		title	
						angles		PCI_EXPRESS_GEN3	
						±2'		CARD_EDGE_ASSY	
						LineG1		dwg no	
						scale N/A		sheet 3 of 7	
						dr WINSTON ZHU 09/09/20		size	
						enr ZHENHUA LIU 09/09/20		A4	
						chr		10018783	
						app HEAVEN CEN 09/09/20		type	
						Amphenol FCI		CUSTOMER Drawing	
sheet index		revision sheet		Z					



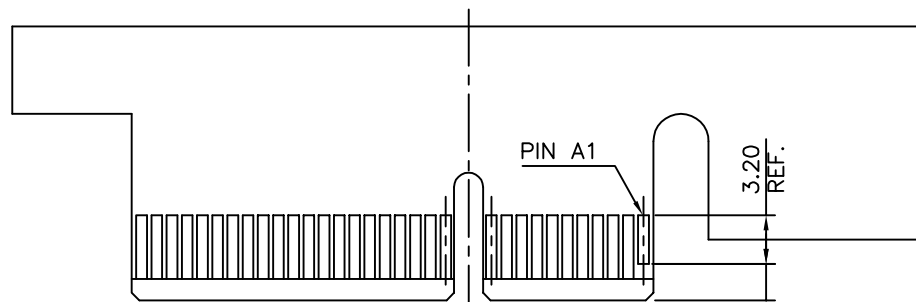
RECOMMENDED FOOTPRINT

mat'l. code		-		surface		- ✓		tolerance		ASME_Y14.5		projection		product family		PCI_EXPRESS	
ltr		ecn no		dr		date		tolerances unless otherwise specified		MM		title		PCI_EXPRESS_GEN3		CARD_EDGE_ASSY	
								angles		.0±.030		scale N/A		dwg no		sheet 4 of 7 size	
								±2'		.00±.020		Amphenol FCI		10018783		A4	
						dr		WINSTON ZHU		09/09/20				type		CUSTOMER Drawing	
						engr		ZHENHUA LIU		09/09/20							
						chr											
						appd		HEAVEN CEN		09/09/20							
sheet index		revision sheet		z													



SCALE 2:1

← I/O PANEL DIRECTION
PRIMARY (COMPONENT) SIDE



I/O PANEL DIRECTION →
SECONDARY (SOLDER) SIDE

#	POS	REF.	N	DIM "G"	"F"
36	6		8.15	B17	
64	20		22.15	B31	
98	37		39.15	B48	
164	70		72.15	B81	

NOTE 4
PIN "F" SEE TABLE 2.40±0.10

mat'l. code		surface		tolerance		projection		product family	
-		-		ASME_Y14.5		⊕		PCI_EXPRESS	
ltr		ecn no		dr		date		title	
								PCI_EXPRESS_GEN3 CARD_EDGE_ASSY	
				angles		Linear		MM	
				±2'		.02±0.30		scale N/A	
						.00±0.20		dwg no	
						.000±0.10		sheet 5 of 7	
				dr		WINSTON ZHU		09/09/20	
				enr		WINSTON ZHU		09/09/20	
				chr				10018783	
				appd		HEAVEN CEN		09/09/20	
sheet		revision		z				type	
index		sheet						CUSTOMER Drawing	

ADD-IN CARD EDGE-FINGER DIMENSIONS

NOTES:

1.MATERIAL:

HOUSING: HIGH TEMPERATURE NYLON, GLASS FILLED UL94V-0 RATED.
 TERMINAL: COPPER ALLOY.
 PLATING: SEE PRODUCT NUMBER CODE
 METAL BOARD LOCKS: COPPER ALLOY.
 FINISH: 100u" TIN OVER 50u" NICKEL

2.PRODUCT SPECIFICATION: GS-12-233.

③THE HORIZONTAL AXIS FOR THE HOLE PATTERN IS ESTABLISHED BY

A LINE THROUGH THE CENTER OF THE TWO Ø2.35 HOLES.
 THE VERTICAL AXIS IS 90° TO THE HORIZONTAL AXIS, THROUGH THE CENTER OF DATUM Z.

④NO TIE BAR PERMITTED FROM CARD EDGE TO LEADING EDGE OF PAD FOR PINS A1 AND PIN NUMBERS "F".

⑤CHAMFER EDGES MUST BE FREE OF CUTTING BURRS.

⑥FREQUENCY & LOCATION AT SUPPLIER DISCRETION. RIDGE MAY BE CONTINUOUS WITH NO BREAKS.

7.RoHS COMPATIBLE PRODUCT SPECIFICATIONS:

a - PLATING:

- "LF" MEANS THE PRODUCT IS LEAD-FREE.

b - MANUFACTURING PROCESS COMPATIBILITY:

- THE HOUSING WILL WITHSTAND EXPOSURE TO 260°C PEAK TEMPERATURE FOR 10 SECONDS IN WAVE-SOLDERING APPLICATION, IF RE-FLOW/PIP SOLDERING APPLICATION WILL BE APPLIED, THE PRODUCT(PART BASE NUMBER 10108777) IS RECOMMENDED.

CONNECTOR	# POS	REF.	N	DIM "A"	DIM "B"	DIM "C"	"E"
1 PORT	36		6	7.65	25.00	9.15	6.00
4 PORT	64		20	21.65	39.00	23.15	20.00
8 PORT	98		37	38.65	56.00	40.15	37.00
16 PORT	164		70	71.65	89.00	73.15	70.00

PRODUCT NUMBER CODE

10018783 -x x x x x x □ □

HOUSING COLOR OPTIONS

0-NATURAL
 1-BLACK

PEGS OPTIONS

0-PLASTIC PEGS, DIM "H"=4.4
 1-METAL BOARD LOCKS
 2-SINGLE PLASTIC PEGS, DIM "H"=4.4
 3-PLASTIC PEGS, DIM "H"=2.8

LEAD FREE OPTION

"LF" FOR TERMINAL PLATING OPTION 0,1,2

POS OPTIONS

0-36
 1-64
 2-98
 3-164

PACKAGING OPTIONS

E-HARD TRAY PACKAGING ANTI-STATIC SHIELDING BAG (FOR 164P ONLY)
 T-SOFT TRAY PACKAGING
 G-SOFT TRAY PACKAGING WITH DUMMY CARD
 M-SOFT TRAY PACKAGING & MYLAR TAPE.
 C-SOFT TRAY PACKAGING(323X136X23) WITH 10MM CAP (FOR 98P ONLY)
 Y-HARD TRAY PACKAGING (FOR 36, 98, 164P ONLY)
 Z-HARD TRAY PACKAGING WITH MYLAR (FOR 36, 98, 164P ONLY)
 D-HARD TRAY PACKAGING(323X118X18.7) (FOR 36, 164P ONLY)
 R-TAPE & REEL PACKAGING (FOR 36, 64, 98P)
 A-TAPE & REEL PACKAGING WITH MYLAR (FOR 36, 64, 98P)

TERMINAL PLATING OPTIONS

0-50u" Ni UNDERPLATE
 30u" Au CONTACT AREA
 100u" TIN TAIL AREA ----- COMPATIBLE RoHS
 1-50u" Ni UNDERPLATE
 15u" Au CONTACT AREA
 100u" TIN TAIL AREA ----- COMPATIBLE RoHS
 2-50u" Ni UNDERPLATE
 GOLD FLASH CONTACT AREA
 100u" TIN TAIL AREA ----- COMPATIBLE RoHS

TAIL LENGTH OPTIONS

	DIM "D"	PCB THICKNESS	BOARD LOCKS DIM "G"
0	2.30 ± 0.25	1.56±0.10	1.70±0.15
1	3.10 ± 0.25	2.36±0.10	2.50±0.15
2	2.54±0.25	1.56±0.10	1.70±0.15
3	1.90±0.25	1.56±0.10	1.70±0.15

mat'l. code		surface		tolerance		projection		product family	
-		-		ASME_Y14.5				PCI_EXPRESS	
lfr		ecn no		dr		date		title	
								PCI_EXPRESS_GEN3 CARD_EDGE_ASSY	
				angles		MM		dwg no	
				±2'		scale N/A		sheet 6 of 7 size	
				dr WINSTON ZHU		09/09/20		10018783	
				enr ZHENHUA LIU		09/09/20		A4	
				chr				type	
				appd HEAEN CEN		09/09/20		CUSTOMER Drawing	
sheet		revision		Z					
index		sheet							

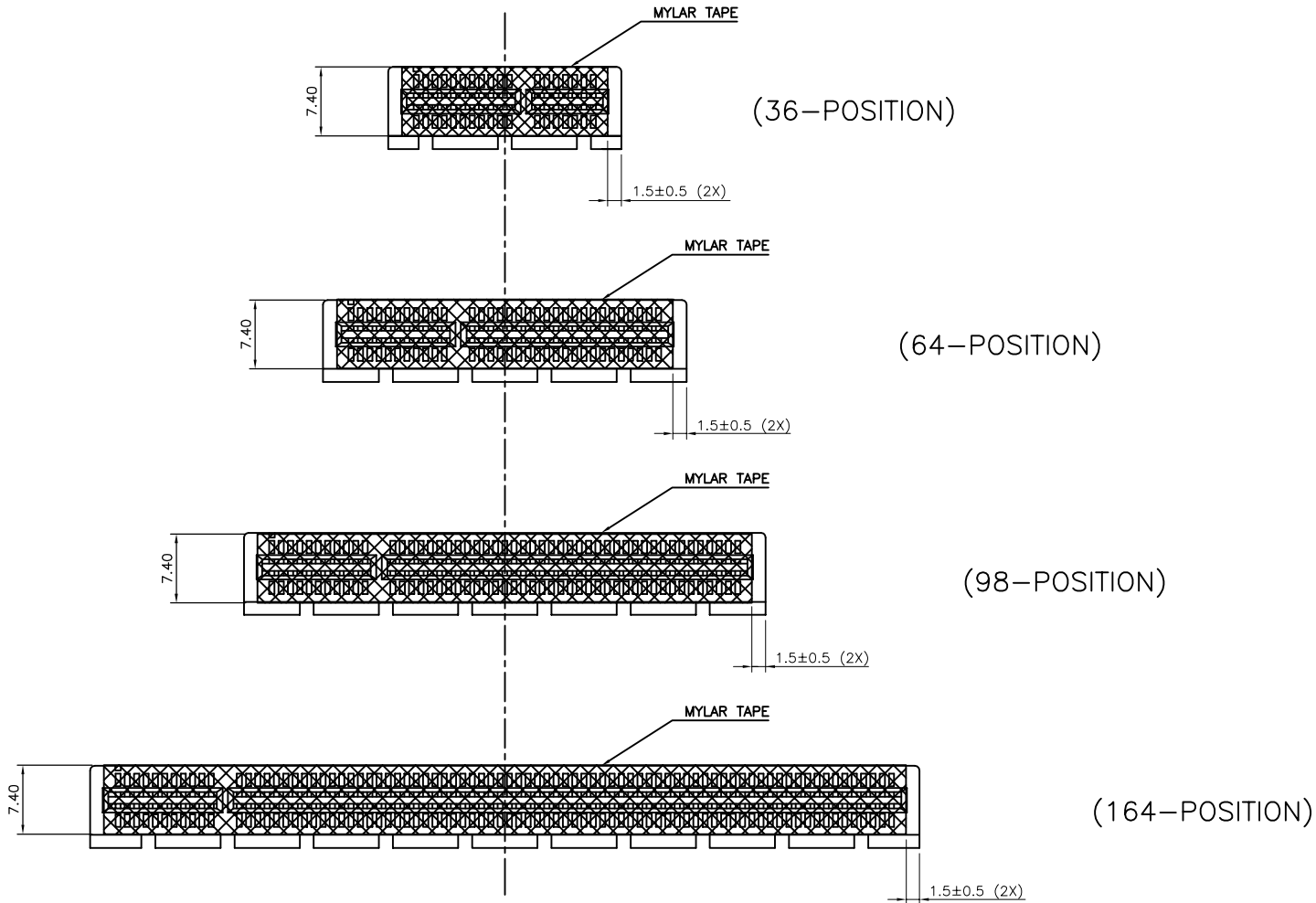


FIGURE 1

mat'l. code		-		surface	-	tolerance	ASME_Y14.5	projection	product family	PCI_EXPRESS
ltr	ecn no	dr	date	tolerances unless otherwise specified				MM	title	
				angles	linear	.02±0.30	MM	PCI_EXPRESS_GEN3		
				±2'	angular	.00±0.20		CARD_EDGE_ASSY		
					profile	.000±0.10		scale N/A	dwg no	
				dr	WINSTON ZHU	09/09/20	Amphenol FCi	sheet 7 of 7		size
				engr	ZHENHUA LIU	09/09/20		10018783		A4
				chr				type		CUSTOMER Drawing
				appd	HEAVEN CEN	09/09/20				
sheet index	revision sheet	z								