

REV. F

UNLESS OTHERWISE NOTED  
 DIMENSIONS ARE IN INCHES TOLERANCES ARE:  
 ONE PLACE DECIMALS ± .1 [2.54] THREE PLACE DECIMALS ± .005 [.13]  
 TWO PLACE DECIMALS ± .01 [.25] FOUR PLACE DECIMALS ± .0020 [.051]  
 ANGLES ± 5°

TITLE: JUMPER LINK

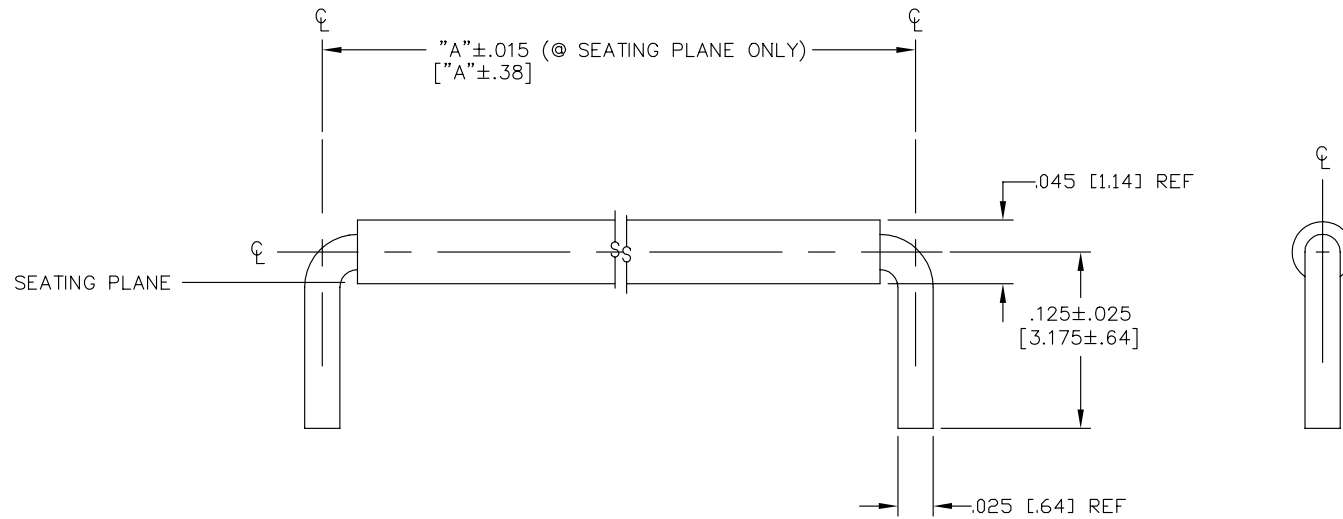
DWG NO: JL-XXX-25-T  
 SHEET 1 OF 1

NOTES:

- [ ] DIMENSIONS ARE IN MILLIMETERS.
- MADE FROM UL-1213 RATED WIRE, WHICH IS RATED TO 600 VOLTS @ 200° C.

TABLE 1	
PART NO.	DIM "A"
JL-100-25-T	.100 [2.54]
JL-250-25-T	.250 [6.35]
JL-300-25-T	.300 [7.62]
JL-400-25-T	.400 [10.16]
JL-500-25-T	.500 [12.70]
JL-600-25-T	.600 [15.24]
JL-1000-25-T	1.000 [25.40]

DO NOT SCALE FROM THIS PRINT.



**PROPRIETARY NOTE**  
 THIS DOCUMENT CONTAINS INFORMATION CONFIDENTIAL AND PROPRIETARY TO SAMTEC INC. AND SHALL NOT BE REPRODUCED OR TRANSFERRED TO OTHER DOCUMENTS OR DISCLOSED TO OTHERS OR USED FOR ANY PURPOSE OTHER THAN THAT FOR WHICH IT WAS OBTAINED WITHOUT THE EXPRESSED WRITTEN CONSENT OF SAMTEC INC.

MATERIAL:  
 INSULATOR:  
 WHITE TEFLON  
 UL FLAME TESTED: VW-1  
 WIRE:  
 22 GAUGE COPPER  
 PLATING:  
 AG PER MIL-QQW-343

**samtec**

EXISPROD\COMPNT\MISC. JLXXX25T  
 520 PARK EAST BLVD. NEW ALBANY, INDIANA 47150  
 PHONE (812) 944-6733 P.O. BOX 1147  
 CODE 55322

MADE BY: TY 1-15-82

JL-XXX-25-T  
 SHEET 1 OF 1