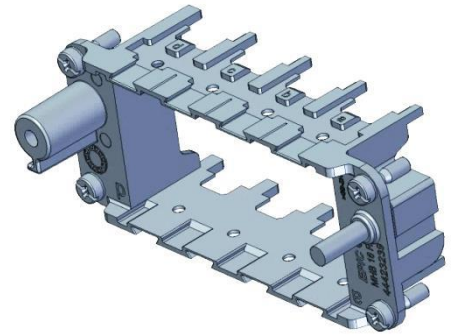


44423239	<b>DATA SHEET</b>	
Valid from: 30.01.2020	<b>EPIC® MHB 16 R MULTI-FRAME</b>	

## Description

- Multi- frame for recording own and third-party modules
- EPIC® MH system is pluggable with the market standard
- The mixing of various functions in one connector ensures a high degree of flexibility
- PE Connection from 1mm<sup>2</sup> to 6mm<sup>2</sup> with wire end ferrule, 10mm<sup>2</sup> with adapter
- Use for railway applications -Brand protection in rail vehicles: test according to EN 45545-2. Requirement sentences R22 and R23. Hazard levels HL1, HL2 and HL3



## General Characteristics

Product description	EPIC® MHB 16 R (a, b, c, d)
Series	MH Multi-frame
Version	Female
Number of Modules	4

## Surfaces

Frame	Zinc die casting alloy
-------	------------------------

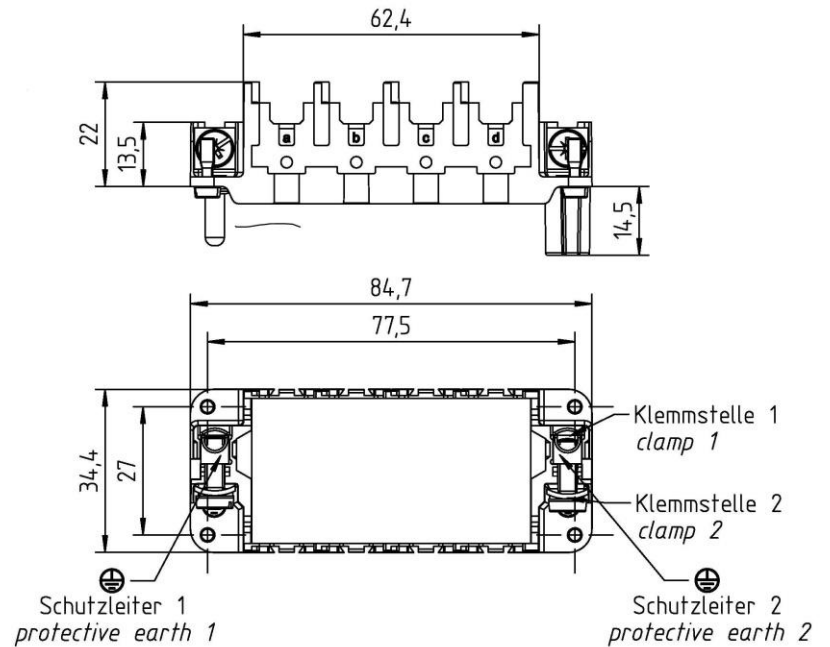
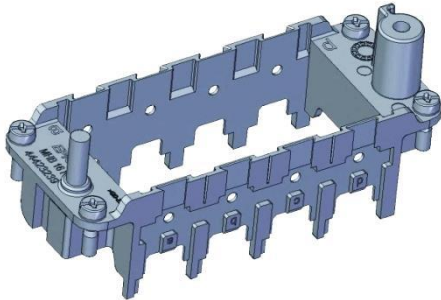
## Standard

Safety Standard	IEC 61984
-----------------	-----------

Creator: ERTC1/PDP Released: IVSE1/PDP	Document: DB44423239EN Version: 02	Page 1 of 2
---	---------------------------------------	-------------

44423239	<b>DATA SHEET</b>	
Valid from: 30.01.2020	<b>EPIC® MHB 16 R MULTI-FRAME</b>	

## Technical Drawing



Automation



Industrial machinery and plant engineering



Wind Energy

### Info

Frame system for modules

Various functions can be used together in one connector

### Product features

The MCR "male" frame version is designed for use with modules with male contacts; the "female" version is designed for use with modules with female contacts. The high design is to be used for sleeve housings

### Remark

Photographs are not to scale and do not represent detailed images of the respective products.

Creator: ERTC1/PDP Released: IVSE1/PDP	Document: DB44423239EN Version: 02	Page 2 of 2
---	---------------------------------------	-------------