



Connectors > Power Connectors > Circular Power > Circular Power Connectors > Cable/Panel Mount Connector, CPC Series 1



Connector Product Type: **Housing**

Operating Voltage: **600 VDC**

Connector System: **Wire-to-Wire**

Number of Positions: **9**

Sealable: **No**

[All Cable/Panel Mount Connector, CPC Series 1 \(57\)](#)

Features

Product Type Features

| | |
|-----------------------------------|--------------|
| Connector Product Type | Housing |
| Connector System | Wire-to-Wire |
| Sealable | No |
| Connector & Contact Terminates To | Wire & Cable |
| Connector & Housing Type | Receptacle |
| Circular Connector Shell Type | All Plastic |

Configuration Features

| | |
|----------------------------|---------|
| Reverse Numbering | Without |
| Number of Positions | 9 |
| Number of Power Positions | 0 |
| Number of Signal Positions | 9 |

Electrical Characteristics



| | |
|-------------------|---------|
| Operating Voltage | 600 VAC |
|-------------------|---------|

Contact Features

| | |
|----------------|----|
| Reverse Gender | No |
|----------------|----|

| | |
|--------------|-----|
| Contact Type | Pin |
|--------------|-----|

| | |
|--------------------|------|
| Contact Protection | With |
|--------------------|------|

Mechanical Attachment

| | |
|-----------------------|-------|
| Mating Alignment Type | Keyed |
|-----------------------|-------|

| | |
|------------------|------|
| Mating Alignment | With |
|------------------|------|

| | |
|-----------------------|-------------------|
| Mating Retention Type | Threaded Coupling |
|-----------------------|-------------------|

| | |
|-------------|------------------|
| Thread Size | 3/4 - 20 UNEF-2A |
|-------------|------------------|

| | |
|-------------------|---|
| Polarization Code | A |
|-------------------|---|

| | |
|-------------------------|----------------------------|
| Connector Mounting Type | Cable Mount (Free-Hanging) |
|-------------------------|----------------------------|

| | |
|------------------|------|
| Mating Retention | With |
|------------------|------|

| | |
|---------------------|---------|
| Panel Mount Feature | Without |
|---------------------|---------|

Housing Features

| | |
|------------------|----------|
| Body Orientation | Straight |
|------------------|----------|

| | |
|---------------|-------|
| Housing Color | Black |
|---------------|-------|

| | |
|------------------|---------------|
| Housing Material | Thermoplastic |
|------------------|---------------|

| | |
|-------------------------------|----|
| Circular Connector Shell Size | 13 |
|-------------------------------|----|

Usage Conditions

| | |
|-----------------------------|----------------------------|
| Operating Temperature Range | -55 – 105 °C[-67 – 221 °F] |
|-----------------------------|----------------------------|

| | |
|------------------|------|
| Fluid Resistance | None |
|------------------|------|

Operation/Application

| | |
|---------------------|----------------|
| Circuit Application | Power & Signal |
|---------------------|----------------|

| | |
|----------|----|
| Shielded | No |
|----------|----|

Industry Standards

| | |
|------------------------|----------|
| UL Flammability Rating | UL 94V-0 |
|------------------------|----------|

Packaging Features

| | |
|--------------------|---|
| Packaging Quantity | 1 |
|--------------------|---|

| | |
|------------------|---------|
| Packaging Method | Package |
|------------------|---------|

Product Compliance










[For compliance documentation, visit the product page on TE.com>](#)

| | |
|---|--|
| EU RoHS Directive 2011/65/EU | Compliant |
| EU ELV Directive 2000/53/EC | Compliant |
| China RoHS 2 Directive MIIT Order No 32, 2016 | No Restricted Materials Above Threshold |
| EU REACH Regulation (EC) No. 1907/2006 | Current ECHA Candidate List: JUNE 2023 (235) Candidate List Declared Against: JAN 2023 (233) Does not contain REACH SVHC |
| Halogen Content | BFR/CFR/PVC Free, but Br/Cl >900 ppm in other sources. |
| Solder Process Capability | Not applicable for solder process capability |

Product Compliance Disclaimer

This information is provided based on reasonable inquiry of our suppliers and represents our current actual knowledge based on the information they provided. This information is subject to change. The part numbers that TE has identified as EU RoHS compliant have a maximum concentration of 0.1% by weight in homogenous materials for lead, hexavalent chromium, mercury, PBB, PBDE, DBP, BBP, DEHP, DIBP, and 0.01% for cadmium, or qualify for an exemption to these limits as defined in the Annexes of Directive 2011/65/EU (RoHS2). Finished electrical and electronic equipment products will be CE marked as required by Directive 2011/65/EU. Components may not be CE marked. Additionally, the part numbers that TE has identified as EU ELV compliant have a maximum concentration of 0.1% by weight in homogenous materials for lead, hexavalent chromium, and mercury, and 0.01% for cadmium, or qualify for an exemption to these limits as defined in the Annexes of Directive 2000/53/EC (ELV). Regarding the REACH Regulation, the information TE provides on SVHC in articles for this part number is based on the latest European Chemicals Agency (ECHA) 'Guidance on requirements for substances in articles' posted at this URL: <https://echa.europa.eu/guidance-documents/guidance-on-reach>

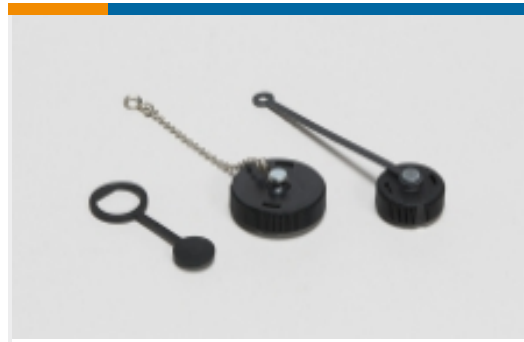
Compatible Parts

| | | | |
|--|---|--|---|
|  <p>TE Part # CAT-AM71-C83998B CPC Cable Clamps</p> |  <p>TE Part # 206708-1 CPC PLUG ASSEMBLY SIZE 13-9</p> |  <p>TE Part # 207299-2 FLANGE PLUG MOUNT CPC</p> |  <p>TE Part # 2-2407269-4 CAP, CPC, SIZE 13 RECP, YELLOW</p> |
|  <p>TE Part # 2-2407269-2 CAP, CPC, SIZE 13 RECP, BLACK</p> |  <p>TE Part # 2-2407269-1 CAP, CPC, SIZE 13 RECP, ORANGE</p> |  <p>TE Part # 2-2407269-3 CAP, CPC, SIZE 13 RECP, RED</p> | |

Also in the Series | AMP CPC



Circular Connector Adapters(7)



Circular Connector Caps & Covers(16)



Circular Connector Hardware(3)



Circular Connector Keying Plugs(2)



Circular Power Connectors(459)



Connector Backshells(56)



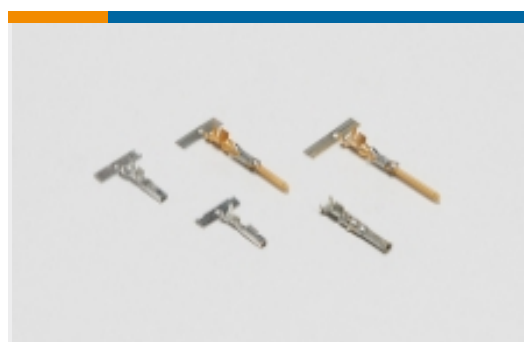
Connector Seals & Cavity Plugs(36)



Connector Strain Relief(6)



Insertion & Extraction Tools(1)



Power Contacts(6)

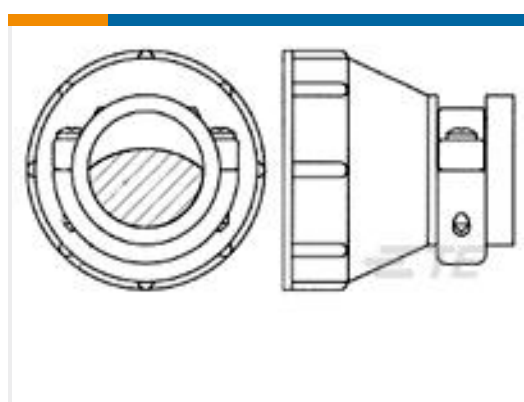


Sealing Sleeves(2)

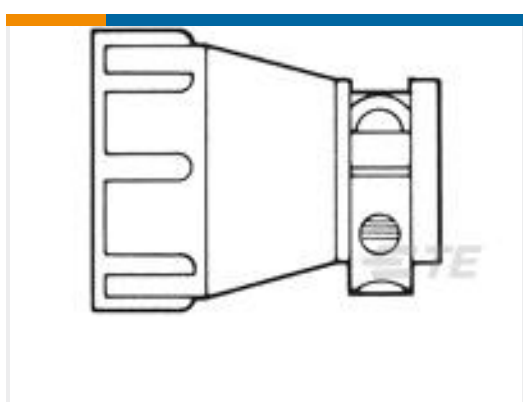
Customers Also Bought



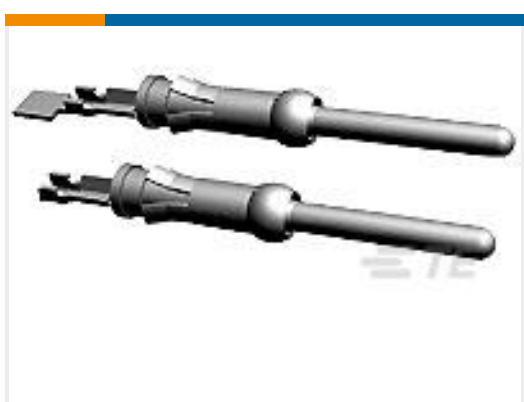
TE Part #206037-1
Circular Connector, Environmentally Sealed, CPC Series 6



TE Part #182663-1
13 SIZE CPC STD CLAMP



TE Part #206966-9
CABLE CLAMP KIT, BULK PKG



TE Part #1-66099-5
III+ PIN,18-16,TIN ,LP



TE Part #182645-1
13-9 CPC PLUG



TE Part #206036-3
RECEPT,SZ 17-16,CPC



TE Part #554950-2
PLUG KIT,36 POSN,BAIL LK,SHLD



TE Part #6909-2040-030
POTENTIOMETER KIT



Documents

CAD Files

3D PDF

3D

Customer View Model

[ENG_CVM_CVM_206705-2_AL.2d_dxf.zip](#)

English

Customer View Model

[ENG_CVM_CVM_206705-2_AL.3d_igs.zip](#)

English

Customer View Model

[ENG_CVM_CVM_206705-2_AL.3d_stp.zip](#)

English

By downloading the CAD file I accept and agree to the [Terms and Conditions](#) of use.

Datasheets & Catalog Pages

[AMP Circular Connectors for Commercial Signal & Power Applications](#)

English

Product Specifications

[Application Specification](#)

English

Product Environmental Compliance

[Product Compliance Document](#)

English

[Product Compliance Document](#)

English

Instruction Sheets

[Instruction Sheet \(U.S.\)](#)

English

Agency Approvals

[UL Report](#)

English