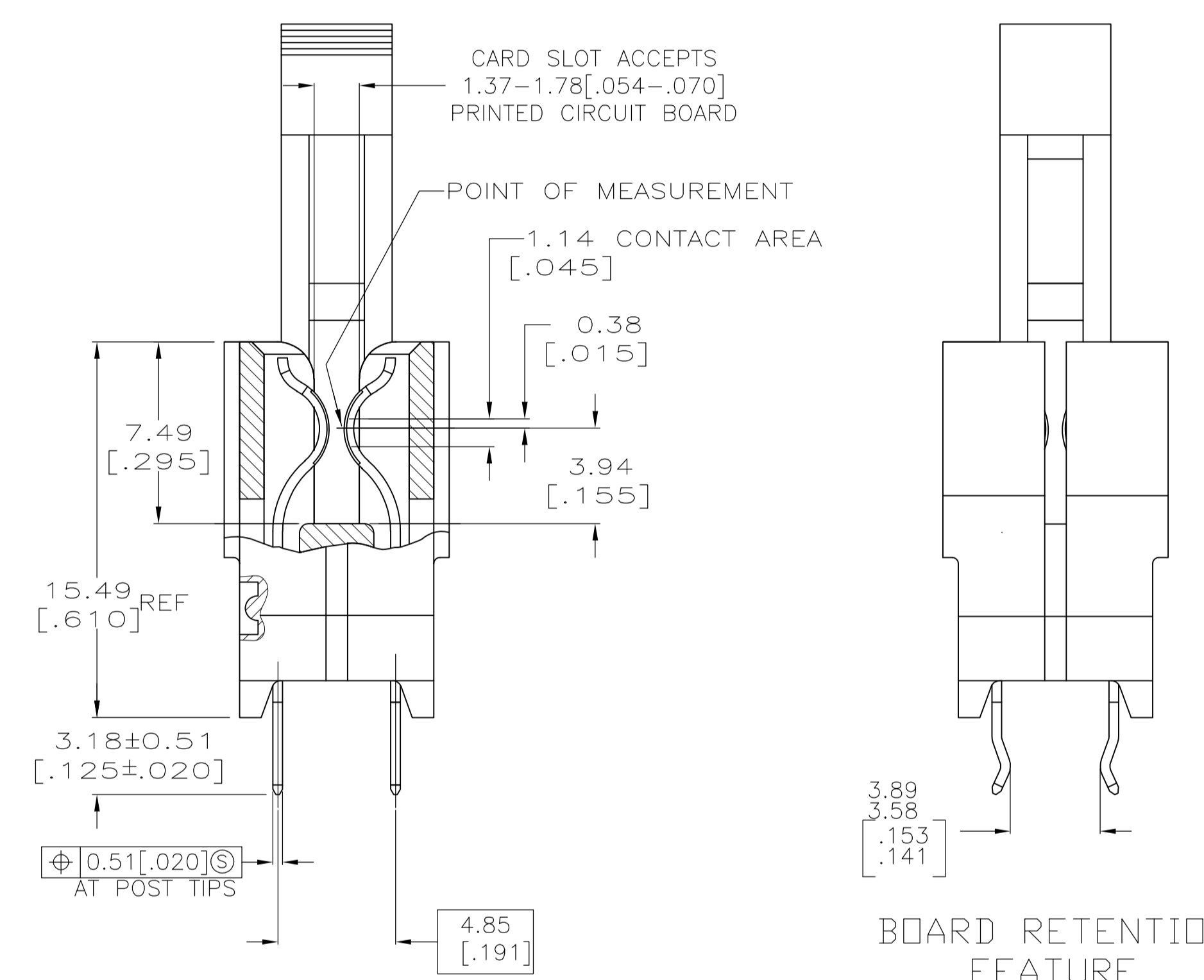


- MATERIAL:
 HOUSING: GLASS FILLED POLYESTER; COLOR: BLACK
 CONTACT: PHOSPHOR BRONZE
 LATCH: GLASS FILLED POLYESTER, COLOR: BLACK
- FINISH:
 0.00076[.000030] GOLD PLATE IN CONTACT AREA,
 0.00254[.000100] MIN MATTE TIN ON SOLDER POSTS, ALL
 OVER 0.00127[.000050] MIN NICKEL
- AMP LOGO, TE PART NUMBER, DATE CODE AND CSA LOGO INK
 STAMPED WHITE (HOT STAMPED OR LAZER PRINTED) IN THE APPROXIMATE
 AREA SHOWN, EITHER SIDE PERMISSABLE, WHEN HOUSING SIZE PERMITS
- DATUMS AND BASIC DIMENSIONS ESTABLISHED BY CUSTOMER
- CONNECTORS SHOWN ARE USED IN APPLICATIONS WITH VRM MODULES WEIGHING
 3 OUNCES OR LESS. ALTERNATE CONNECTOR AND LATCH METHOD IS AVAILABLE FOR
 VRM MODULES WEIGHING UP TO 6 OUNCES.
- CAUTION: LATCHES ARE INTENDED FOR RETENTION OF PC BOARD TO CONNECTOR,
 DO NOT ATTEMPT TO FULLY EJECT PC BOARD FROM CONNECTOR WHILE DISENGAGING
 LATCHES. DAMAGE TO LATCHES AND/OR CONNECTOR MAY OCCUR



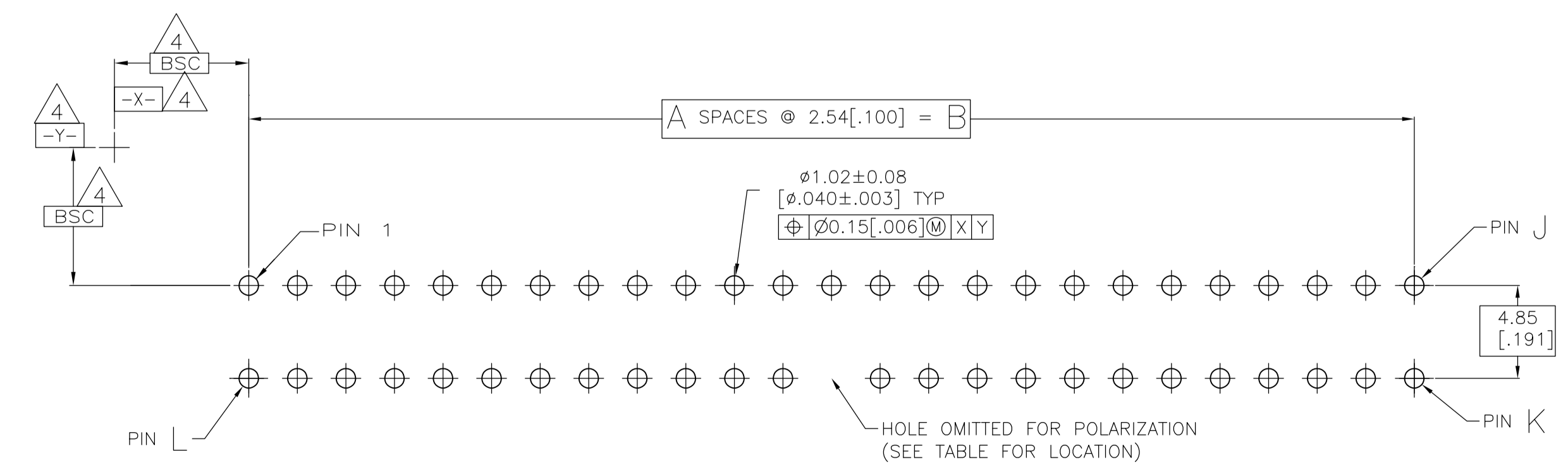
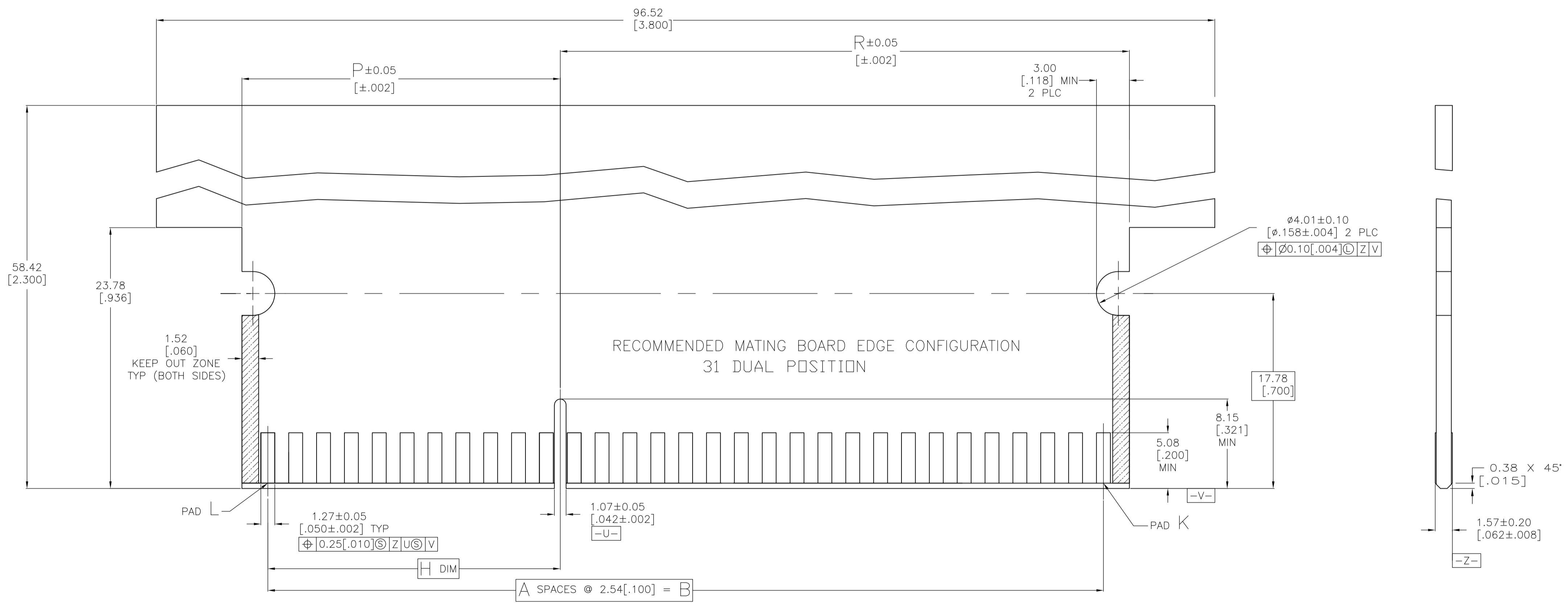
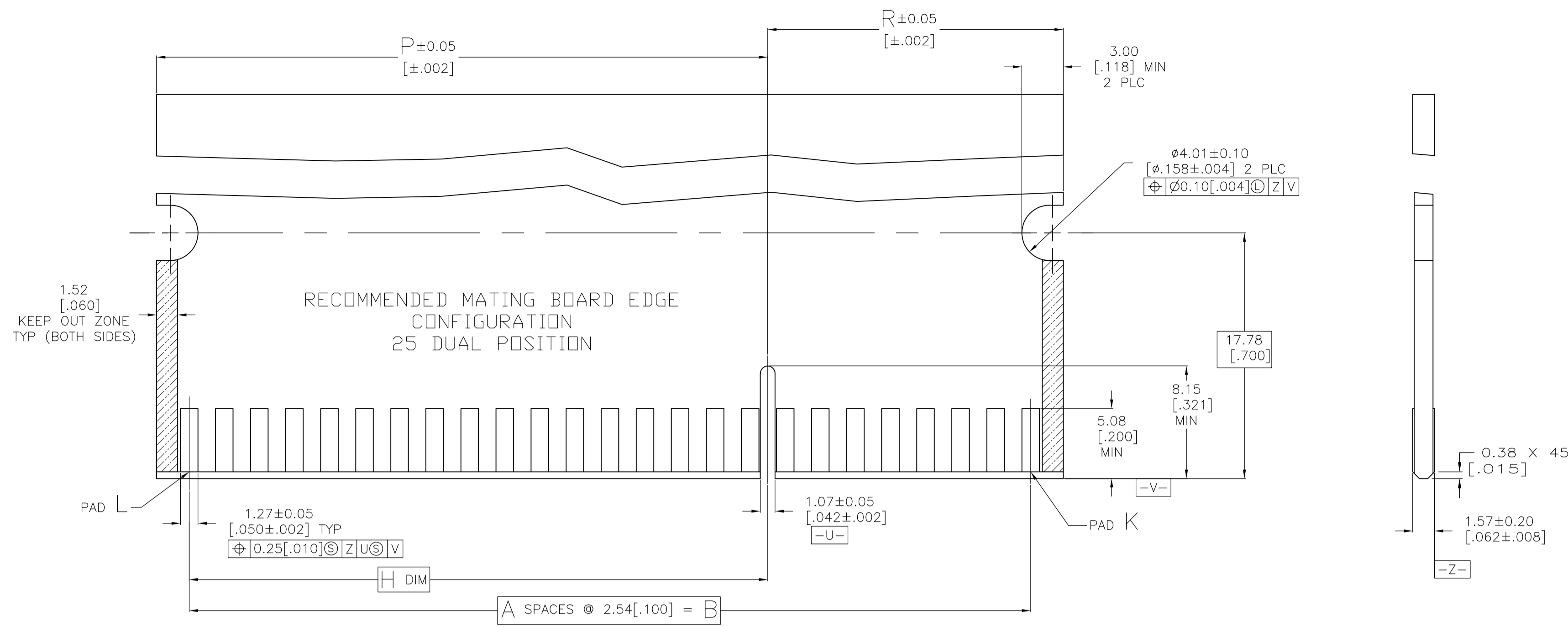
BOARD RETENTION
 FEATURE
 (SEE TABLE FOR
 LOCATION)

OBSELETE	6364666-4
PART NUMBER	

-	2,3,29,30, 33,34,60,61	12 & 13	6	49.35 [1.943]	31.50 [1.240]	62	32	31	29.21 [1.150]	97.10 [3.823]	113.00 [4.449]	99.92 [3.934]	90.02 [3.544]	82.52 [3.249]	76.20 [3.000]	30	31	6364666-5
8.5, +12V	2,3,23,24, 27,28,48,49	17 & 18	44	21.41 [.843]	44.27 [1.743]	50	26	25	41.91 [1.650]	81.86 [3.223]	97.76 [3.849]	84.68 [3.334]	74.78 [2.944]	67.28 [2.649]	60.96 [2.400]	24	25	6364666-2
9.0, +12V	2,3,29,30, 33,34,60,61	11 & 12	6	51.89 [2.043]	28.96 [1.140]	62	32	31	26.67 [1.050]	97.10 [3.823]	113.00 [4.449]	99.92 [3.934]	90.02 [3.544]	82.52 [3.249]	76.20 [3.000]	30	31	6364666-1
VRM DESIGNATION	BOARD RETENTION FEATURE LOCATION	MOLDED-IN KEYING FEATURE LOCATED BETWEEN PINS	OMITTED PIN & HOLE	R	P	L	K	J	H	G	F	E	D	C	B	A	NO OF DUAL POSITIONS	PART NUMBER

THIS DRAWING IS A CONTROLLED DOCUMENT.

DIMENSIONS: mm [INCHES]	TOLERANCES UNLESS OTHERWISE SPECIFIED:	DIN AWF/L.A.MAYER 01APR2008	Tyco Electronics Tyco Electronics Corporation Harrisburg, PA 17105-3608
0 PLC ± -	1 PLC ± -	AWF/L.A.MAYER 01APR2008	NAME S. FLICKINGER
2 PLC ± 0.13[.005]	3 PLC ± -	AWF/L.A.MAYER 01APR2008	PRODUCT SPEC 108-9039-1
4 PLC ± -	ANGLES ± 2°	AWF/L.A.MAYER 01APR2008	APPLICATION SPEC 114-13018
MATERIAL SEE NOTE 1	FINISH SEE NOTE 2	SIZE A1	SCALE 5:1
		WEIGHT -	SHEET 1 OF 2
		CUSTOMER DRAWING	REV D



THIS DRAWING IS A CONTROLLED DOCUMENT.		DIN AWF/L.A.MAYER 01APR2008		Tyco Electronics Corporation	
DIMENSIONS: mm [INCHES]		CHK A.W.FRANTUM 01APR2008		Harrisburg, PA 17105-3608	
TOLERANCES UNLESS OTHERWISE SPECIFIED:		APVD S.FLICKINGER 01APR2008		NAME	
0 PLC ± -	1 PLC ± -	PRODUCT SPEC		CONNECTOR ASSEMBLY, STANDARD EDGE II, DUAL POSITION, 2.54[.100] CENTERLINE	
2 PLC ± 0.13[.005]	3 PLC ± -	APPLICATION SPEC		108-9039-1	
4 PLC ± -	ANGLES ± 2°	SIZE		114-13018	
MATERIAL SEE NOTE 1	FINISH SEE NOTE 2	WEIGHT		A1 00779 6364666	
		CUSTOMER DRAWING		SCALE 5:1 SHEET 2 OF 2 REV D	