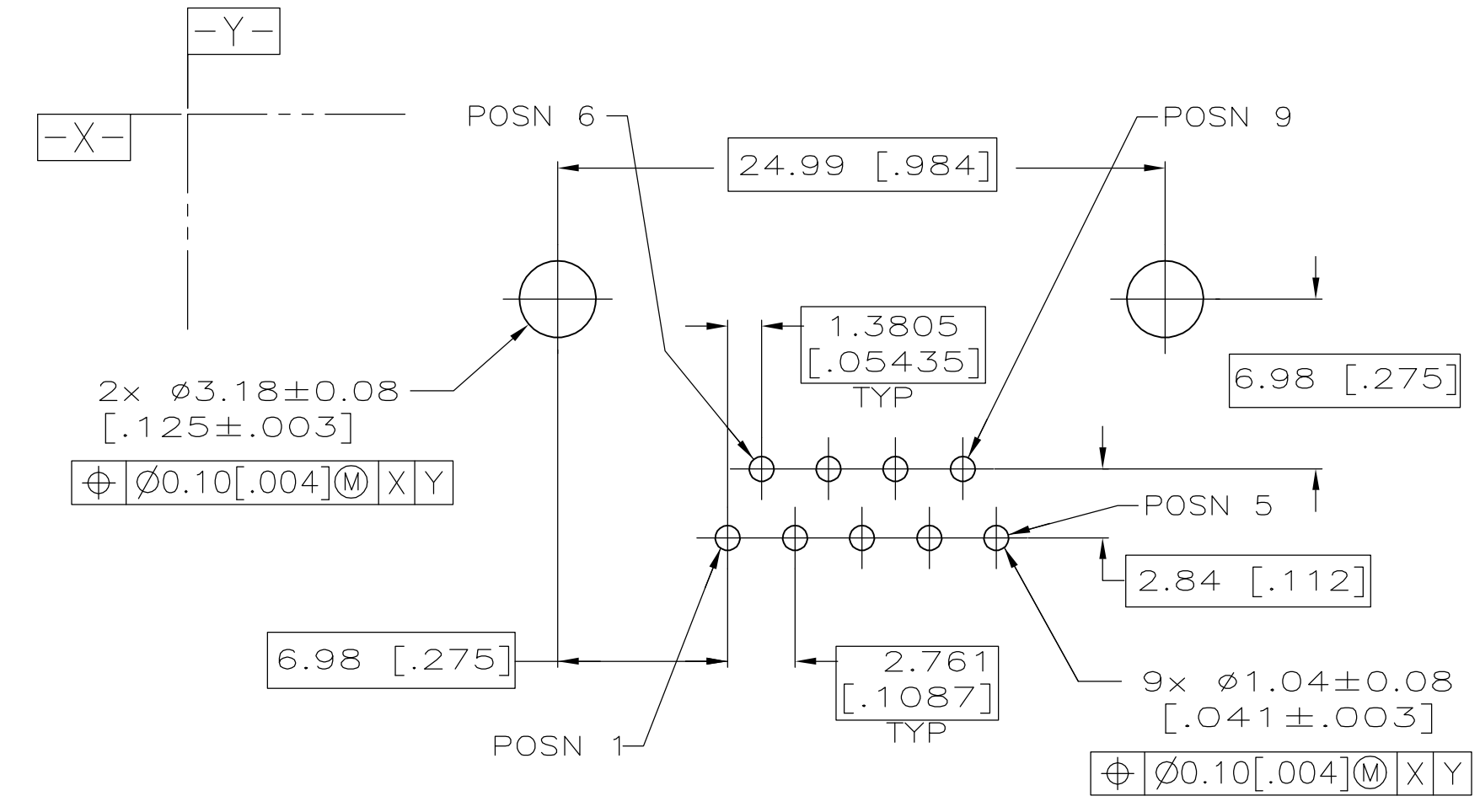
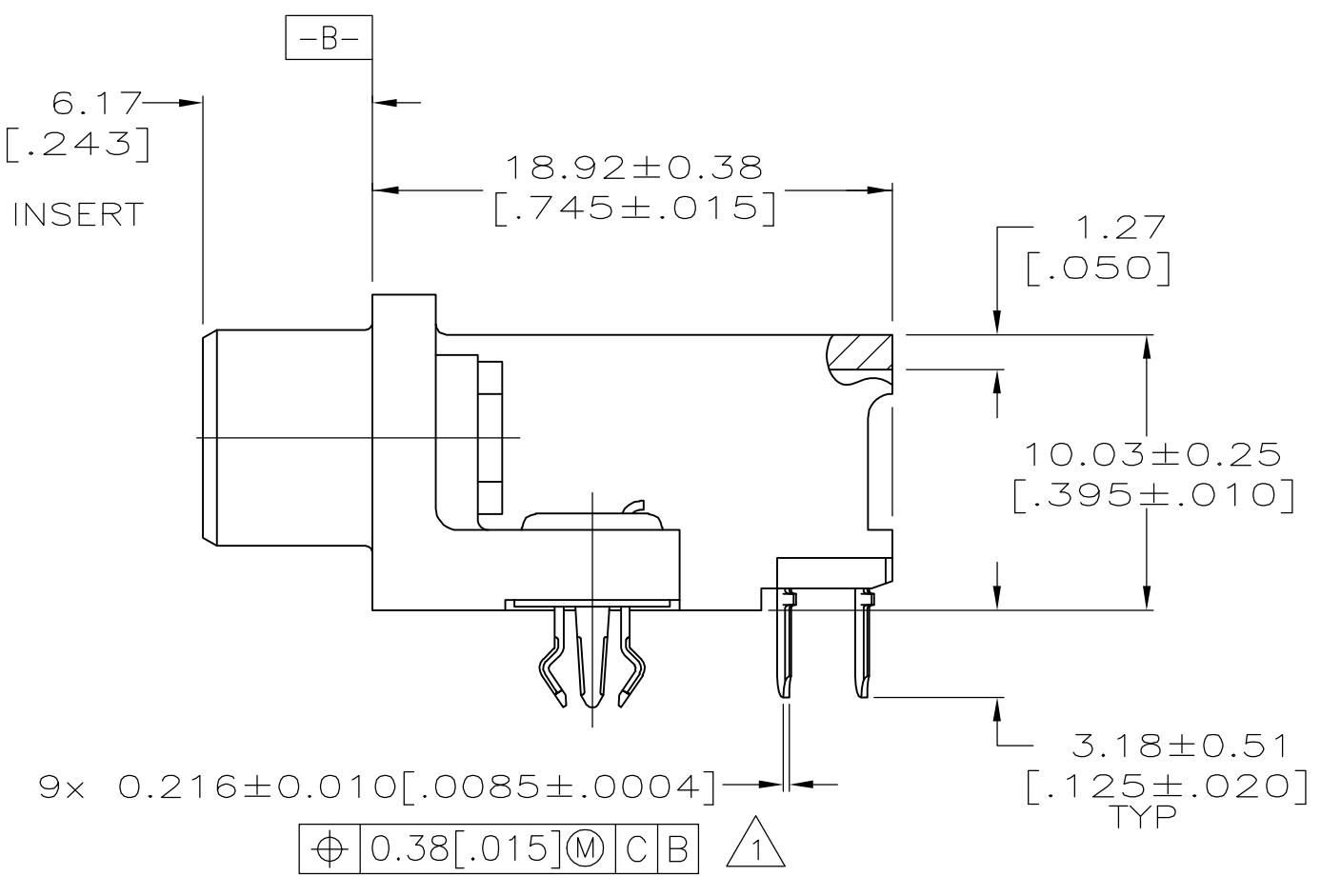
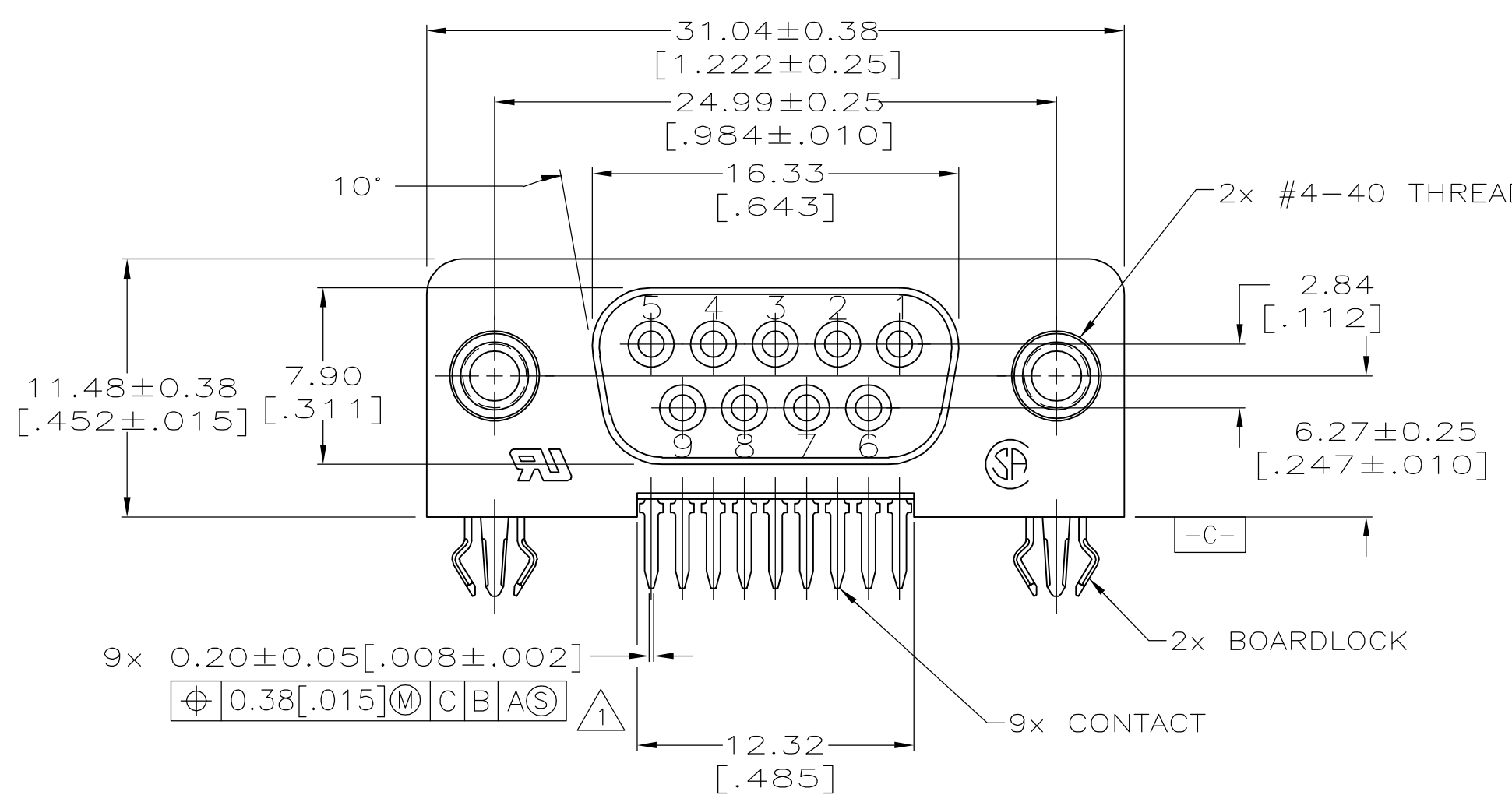


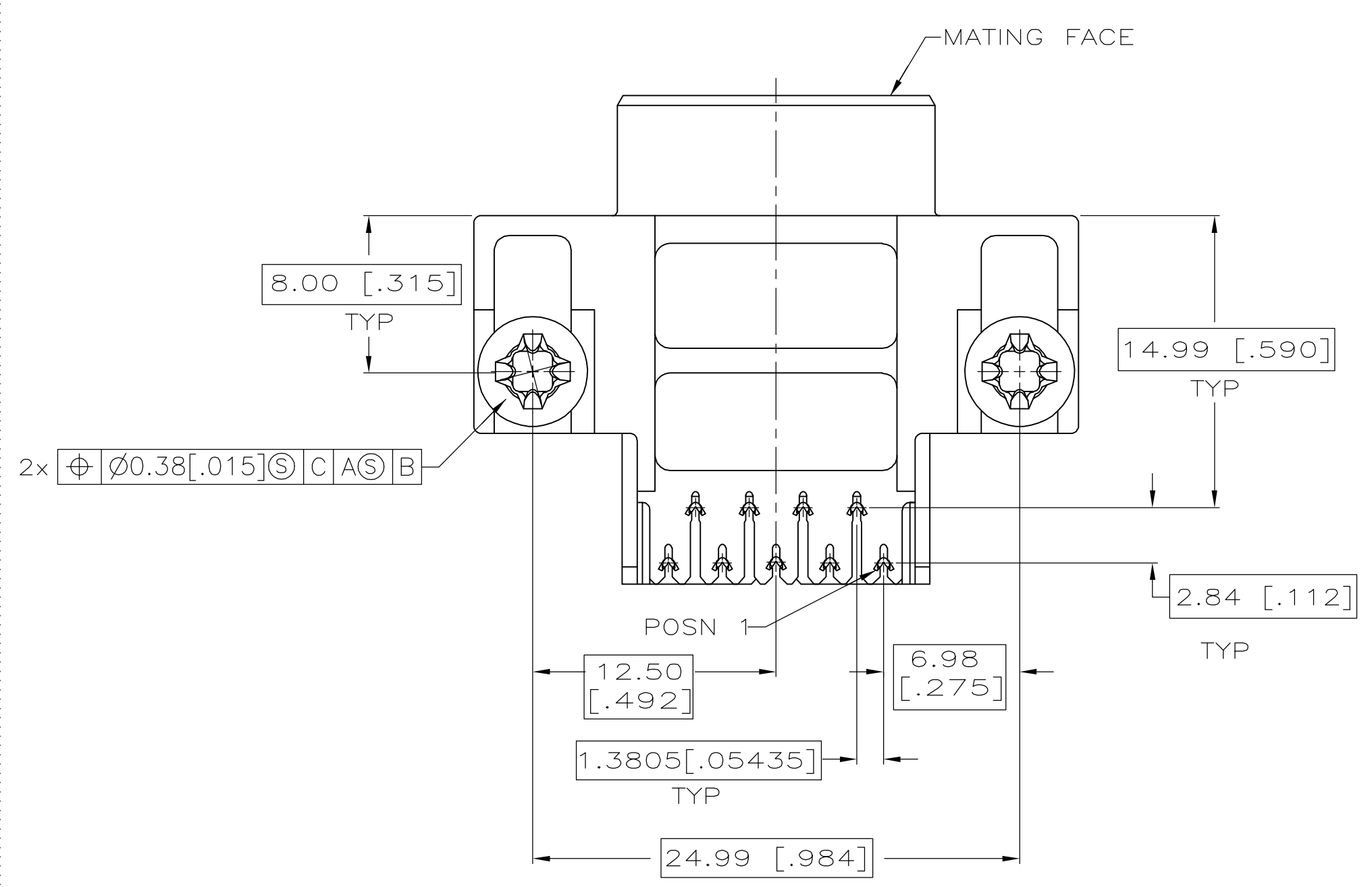
TYCO, PART NO. & DATE CODE, MARKED IN AREA INDICATED

CL OF DATUM A



PC BOARD MOUNTING DIMENSIONS
 (1.57 [.062] PC BOARD THICKNESS)

- 1 POSITION TOLERANCE APPLIES AT TIP ONLY.
- 2 HOUSING: FLAME RETARDANT 94V-0 RATED, NYLON OR POLYESTER, COLOR: BLACK.
- CONTACTS: PHOSPHOR BRONZE
- EYELETS: BRASS
- INSERTS: ZINC
- BOARDLOCKS: COPPER ALLOY
- 3 EYELETS: 2.54 μm [.000100] MIN TIN OVER COPPER FLASH.
- BOARDLOCKS: 3.81 μm [.00015] MIN TIN OVER 1.27 μm [.000050] MIN NICKEL.
- CONTACTS: GOLD FLASH FOR A LENGTH OF 1.52 [.060] MIN FROM MATING END, 2.54 μm [.0001] MIN TIN FOR A LENGTH OF 3.68 [.145] MIN FROM OPPOSITE END, BOTH OVER 1.27 μm [.000050] MIN NICKEL.
- INSERTS: CLEAR CHROMATE COATING.



MATING FACE

5748907-2
 PART NO

**COPYRIGHT 2005
 TYCO ELECTRONICS CORP
 ALL RIGHTS RESERVED**

THIS DRAWING IS A CONTROLLED DOCUMENT.		DWN G. PETERS 21SEP05		Tyco Electronics Corporation Harrisburg, PA 17105-3608	
DIMENSIONS: mm [INCHES]		CHK S. BOLASH 21SEP05		NAME	RECEPTACLE ASSEMBLY, SIZE 1, 9 POSN, ALL PLASTIC, RIGHT ANGLE, .590 SERIES, AMPLIMITE III
TOLERANCES UNLESS OTHERWISE SPECIFIED:		APVD M. WALMSLEY 21SEP05	PRODUCT SPEC	108-1226	
0 PLC ± -		APPLICATION SPEC	114-40027		SIZE
1 PLC ± -		FINISH	WEIGHT		CAGE CODE
2 PLC ± 0.13 [.005]		SCALE	4:1		DRAWING NO
3 PLC ± -		SHEET	1 OF 1		REV
4 PLC ± -		RESTRICTED TO	A1 00779 C=5748907		Q
ANGLES ± Z		CUSTOMER DRAWING	SCALE		REV