

# HC-KA-D40-ST/PEL

Order No.: 1774856

<http://eshop.phoenixcontact.de/phoenix/treeViewClick.do?UID=1774856>

HEAVYCON terminal adapter male insert, D40 series, 40-pos.,  
left protective conductor connection for the right side of the control  
cabinet, screw connection

Commercial data	
EAN	4017918037895
Pack	5 pcs.
Customs tariff	85369010
Weight/Piece	0.36438 KG
Catalog page information	Page 384 (PC-2007)

**Product notes**WEEE/RoHS-compliant since:  
09/19/2006

<http://www.download.phoenixcontact.com>  
Please note that the data given here has been taken from the online catalog. For comprehensive information and data, please refer to the user documentation. The General Terms and Conditions of Use apply to Internet downloads.

Technical data	
<b>Electrical characteristics</b>	
Note	For HEAVYCON-ADVANCE mounting flange and HEAVYCON panel mounting base of B16 type
Number of positions	40
Connection in acc. with standard	IEC / EN

Rated voltage (III/3)	250 V
Rated surge voltage	4 kV
Rated current	10 A

#### Mechanical characteristics

Design	D40
Connection method	Screw connection
Tightening torque	0.5 Nm ... 0.8 Nm
Stripping length of the individual wire	10 mm
Conductor cross section	0.2 mm <sup>2</sup> ... 2.5 mm <sup>2</sup>
Connection cross section AWG	22 ... 12

#### General characteristics

Contact material	Copper alloy
Contact surface material	Ag
Contact carrier material	PA / PC
Terminal adapter width	56 mm
Height	81 mm
Pollution degree	3
Surge voltage category	III
Inflammability class acc. to UL 94	V0
Connection in acc. with standard	IEC / EN
Ambient temperature (operation)	-40 °C ... 125 °C
Installation instructions	Connectors may be plugged in only when there is no load/voltage. Not for HC-B 16-AMQ-EMV housings

#### Certificates / Approvals



Certification CSA, GOST, UL

#### CSA

Nominal voltage $U_N$	300 V
Nominal current $I_N$	5 A
AWG/kcmil	22-12

**UL**

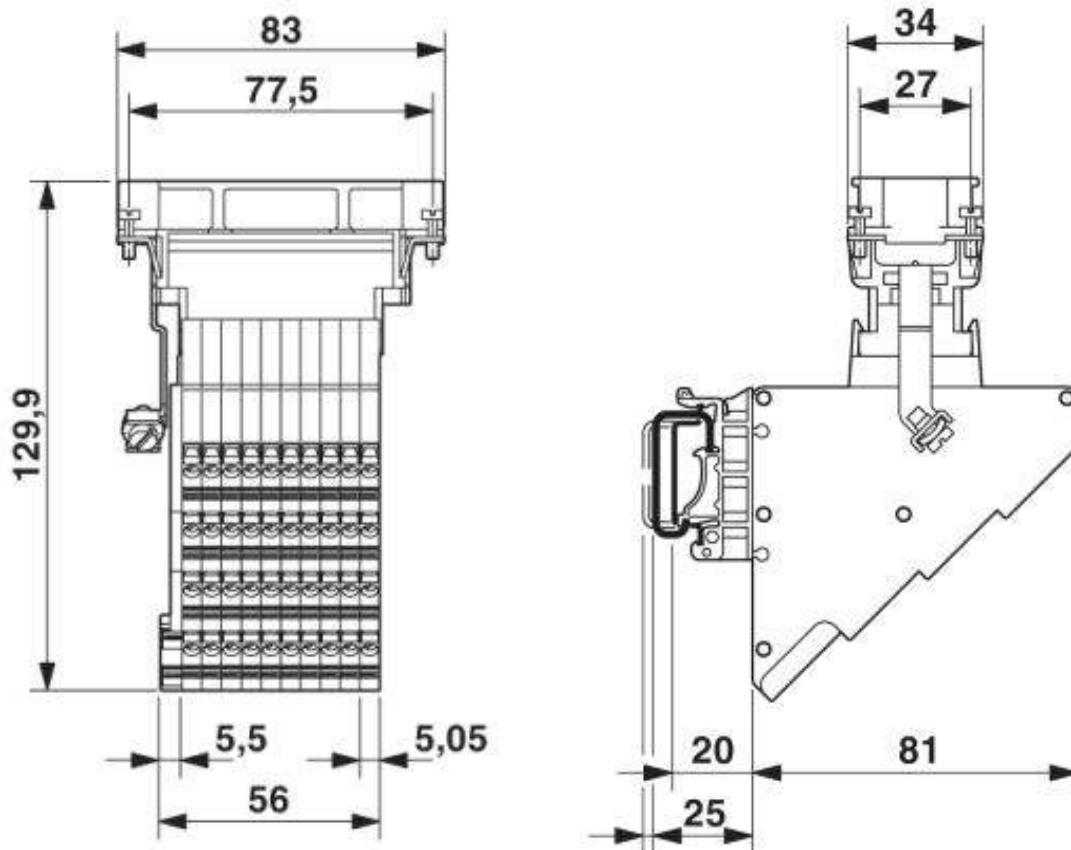
Nominal voltage $U_N$	600 V
Nominal current $I_N$	5 A
AWG/kcmil	22-12

**Accessories**

Item	Designation	Description
<b>Assembly</b>		
1775240	HC-KA-FE	Foot element, for mounting on DIN rail NS 32, DIN rail NS 35/7.5 or DIN rail NS 35/15, can be inserted between basic and side element
1660083	HC-VSH	Locking screw barrel, for a firm connection of contact inserts and DIN-rail mountable terminal adapters

**Diagrams/Drawings**

Dimensioned drawing



**Address**

PHOENIX CONTACT Inc., USA  
586 Fulling Mill Road  
Middletown, PA 17057, USA  
Phone (800) 888-7388  
Fax (717) 944-1625  
<http://www.phoenixcon.com>



© 2010 Phoenix Contact  
Technical modifications reserved;