



## Specifications

Electrical Ratings	50mA @ 50VDC	Dielectric Strength	250Vrms min
Electrical Life	100,000 cycles typical	Insulation Resistance	>100MΩ min
Contact Resistance	<50mΩ initial	Operating Temperature	-40°C to 85°C
Actuation Force	180 ± 50gF	Storage Temperature	-40°C to 85°C
Actuation Travel	.30 ± .1mm		

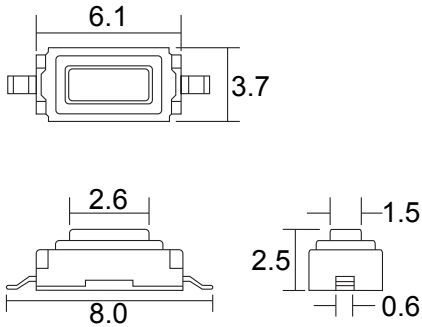
## Materials

Actuator	4/6 Nylon
Housing	4/6 Nylon
Cover	Stainless Steel
Contacts	Stainless Steel, Silver Plated
Terminals	Brass, Silver Plated

## Ordering Information

1. Series	CS1205	F180
CS1205		
2. Actuation Force		
F180 = 180gF		
F260 = 260gF		

## Dimensions



## Schematic & PC Layout

