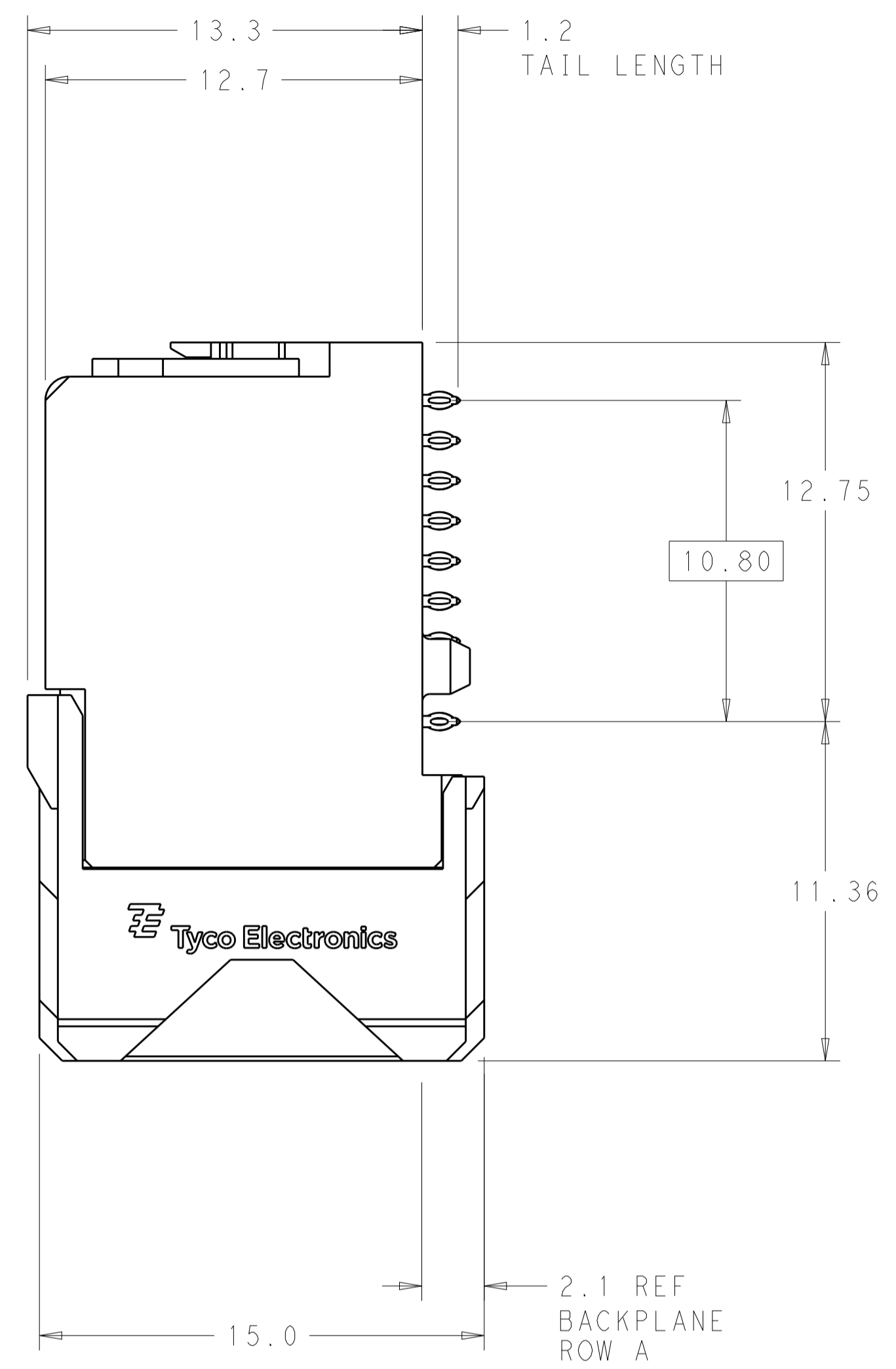
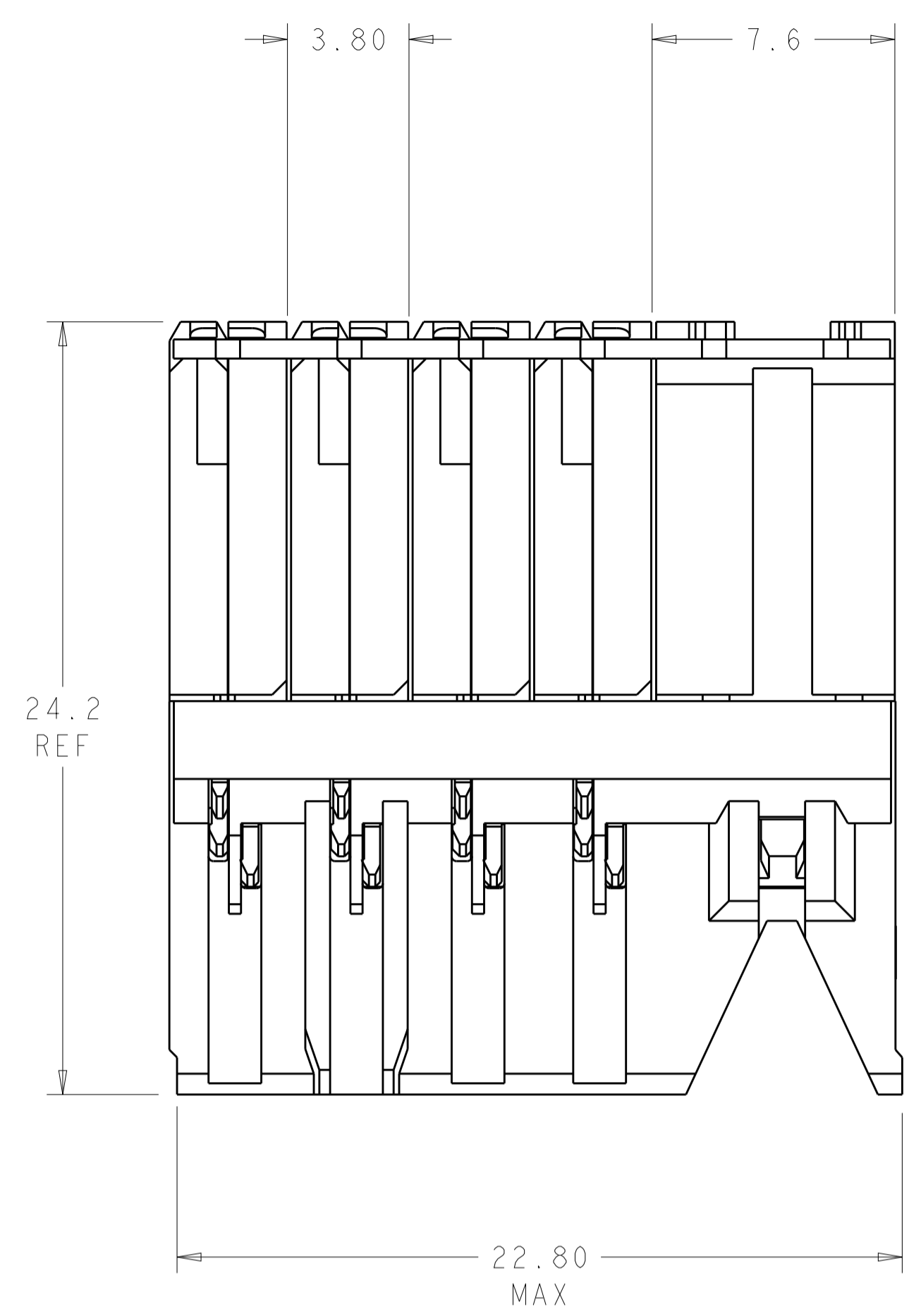
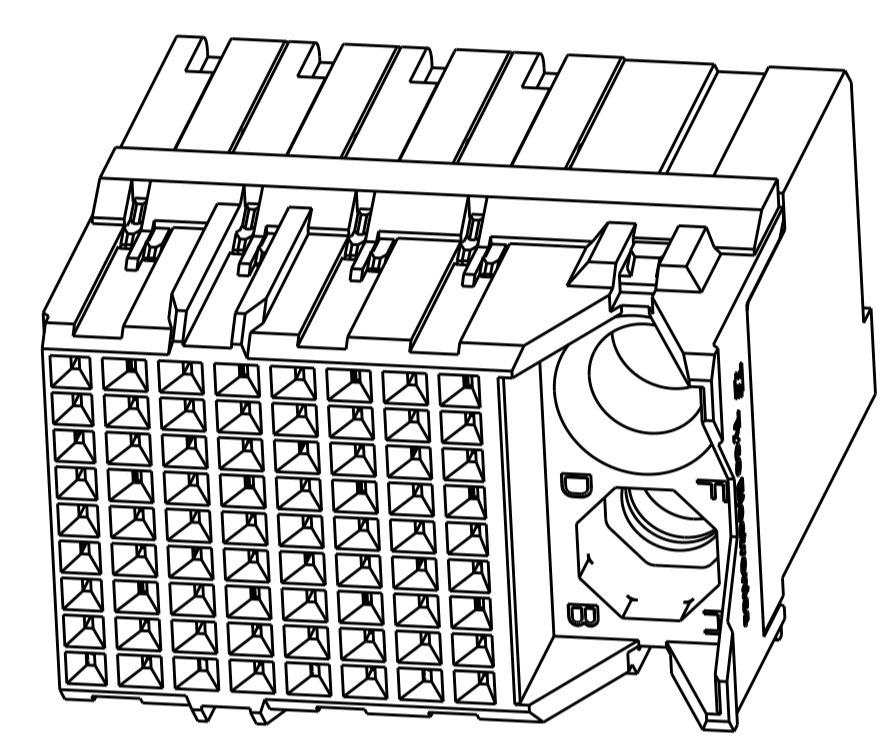


LOC		DIST		REVISIONS			
AD	00	P	LTN	DESCRIPTION	DATE	DWN	APVD
		C1		REVISED PER ECO-14-018035	11MAR2015	AP	DD

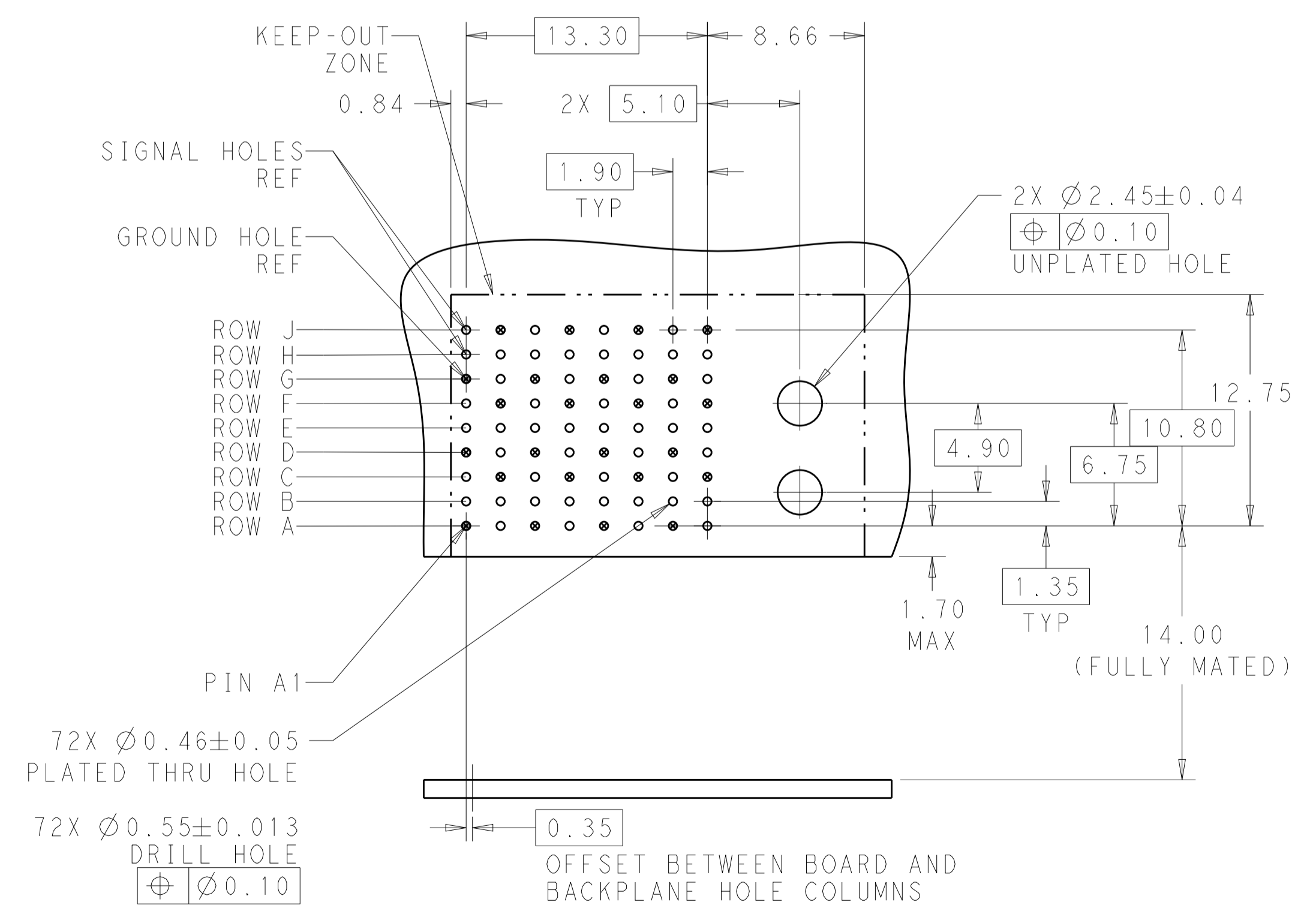
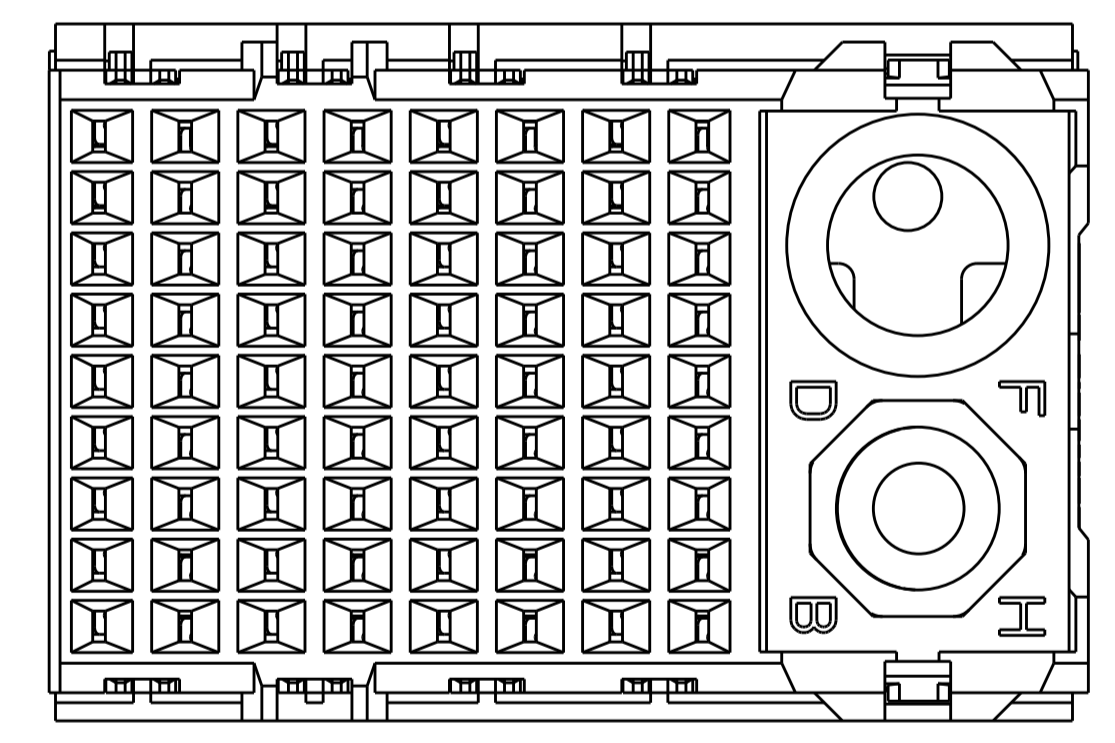


- ⚠ MATERIAL:
HOUSING: LCP, GLASS FILLED, UL94V-0.
TERMINALS: HIGH PERFORMANCE COPPER ALLOY.
- ⚠ FINISH:
30μ" SELECTIVE GOLD IN CONTACT AREA. SELECTIVE TIN ON PCB TAILS, NICKEL OVERALL.
- 3. CONNECTORS SUPPLIED WITH MOUNTING SCREWS.



SCALE 4:1

REFER TO WWW.TE.COM FOR PRODUCT AVAILABILITY



KEY POSITION CHART	
	NONE

H	⚠	8-2057689-1
G	⚠	7-2057689-1
F	⚠	6-2057689-1
E	⚠	5-2057689-1
D	⚠	4-2057689-1
C	⚠	3-2057689-1
B	⚠	2-2057689-1
A	⚠	1-2057689-1
NONE	⚠	2057689-1
KEY POSITION	FINISH	PART NUMBER

THIS DRAWING IS A CONTROLLED DOCUMENT.

DIMENSIONS:	TOLERANCES UNLESS OTHERWISE SPECIFIED:	DWN B_CARBO 05JAN2011	
mm	0 PLC ± 1 PLC ±0.2 2 PLC ±0.13 3 PLC ± 4 PLC ± ANGLES ±	CHK D_DIXON 05JAN2011	
MATERIAL	FINISH SEE TABLE	APVD D_DIXON 05JAN2011	NAME
		PRODUCT SPEC	IMPACT, 3 PAIR, DAUGHTERCARD
		APPLICATION SPEC	8 COLUMN, RIGHT GUIDED, SIGNAL
		WEIGHT	MODULE, 0.46 EYELET
		CUSTOMER DRAWING	SIZE CAGE CODE DRAWING NO RESTRICTED TO
			A100779C=2057689
			SCALE 6:1 SHEET 1 OF 1 REV C1