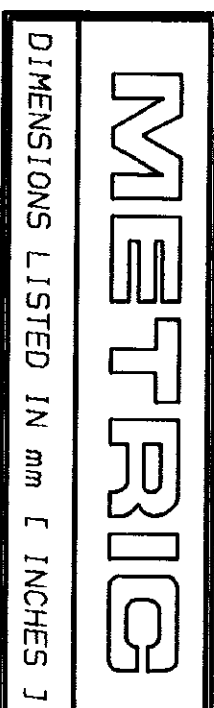
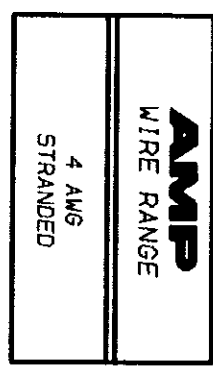
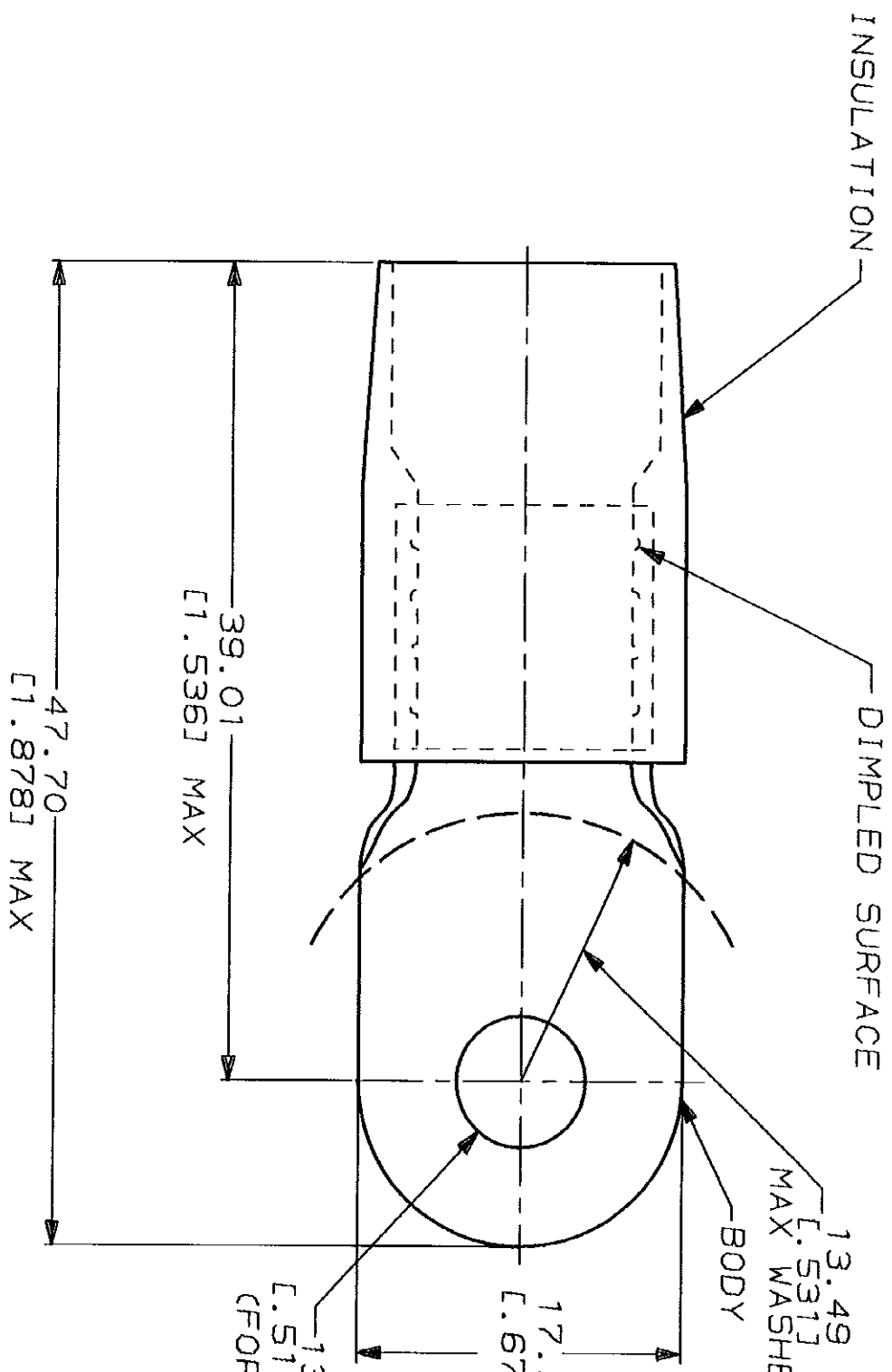


THIS DRAWING IS UNPUBLISHED. RELEASED FOR PUBLICATION BY AMP INCORPORATED. ALL INTERNATIONAL RIGHTS RESERVED.

LOC	DIST	P	F	ZONE	LTR	REVISIONS	DATE	APPD
G	14			G	EC 0720-0279-93		6-18-93	BB



1. TONGUE MATERIAL THK 1.22±0.08 [ 0.048±.003 ] FOR 9.70 [ 0.382 ] MAX WIRE INS DIA



### AMP INCORPORATED CUSTOMER SERVICE SYSTEMS

FOR ADDITIONAL PRODUCT INFORMATION OR COPIES OF DRAWINGS AND TECHNICAL DOCUMENTS	1-800-522-6752	PRODUCT INFORMATION CENTER
FOR APPLICATION TOOLING INFORMATION	1-800-722-1111	TOOLING ASSISTANCE CENTER
FOR ORDER ENTRY	1-800-526-5142	

MAX RECOMMENDED OPERATING TEMPERATURE:	105 °C
VOLTAGE RATING:	-
CIRCULAR MIL AREA:	16.8-26.7mm² [ 33, 100-52, 600 ] STRANDED
DO NOT SCALE PRINT. UNLESS SPECIFIED OTHERWISE:	
TOLERANCES ON:	2 PLC DEC ± 0.20 [ 0.008 ]
3 PLC DEC ± -	
ANGLES ± -	
MATERIAL:	COPPER PER ASTM B-152 NYLON (MIL-M-20693) TYPE 1 COLOR: YELLOW
FINISH:	TIN PLATE PER MIL-T-10727

DR	6/93	SS GOLDEN
CHK	6/93	R HERSEY
APPD	6/93	B BARE
APPD	6/93	M ELLIS
PRODUCT SPEC		
APPLICATION SPEC		
WEIGHT		

LOOSE PC	324114
PACKAGE TYPE	PART NO
<b>AMP</b>	AMP Incorporated Harrisburg, PA 17105-3608
NAME	TERMINAL, RING TONGUE, TERMINYL
SIZE	WIRE SIZE: 4 AWG
SCALE	SIZE CAGE CODE DRAWING NO
B	00779 @=324114
NTS	SHEET 1 OF 1

AMP 1470-15 REV 3-92 19 AUG 1993 13:50:02 AMP12368 <UJ128A>DEPT1132>U.DWG1132>U.RBY>U.TERMINYL>U.CUST CUSTOMER DRAWING