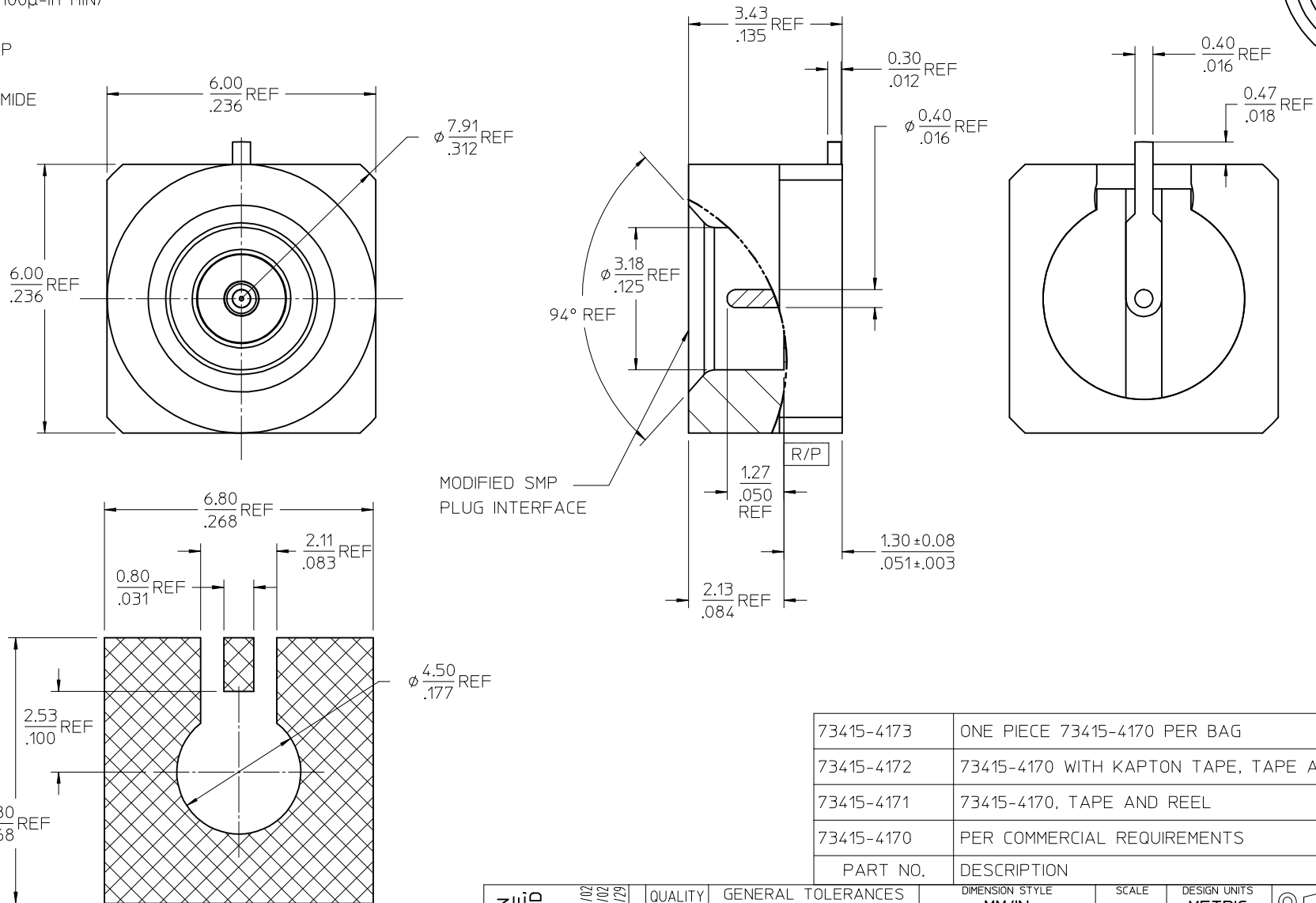
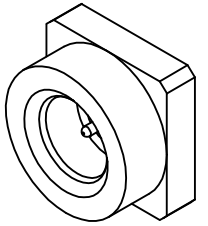


MATERIALS AND FINISHES:

BODY, CONTACT: BRASS
 PLATED: GOLD (30μ-in MIN)
 OVER NICKEL (100μ-in MIN)

INSULATOR: LCP

KAPTON: POLYIMIDE
 COLOR: BLACK



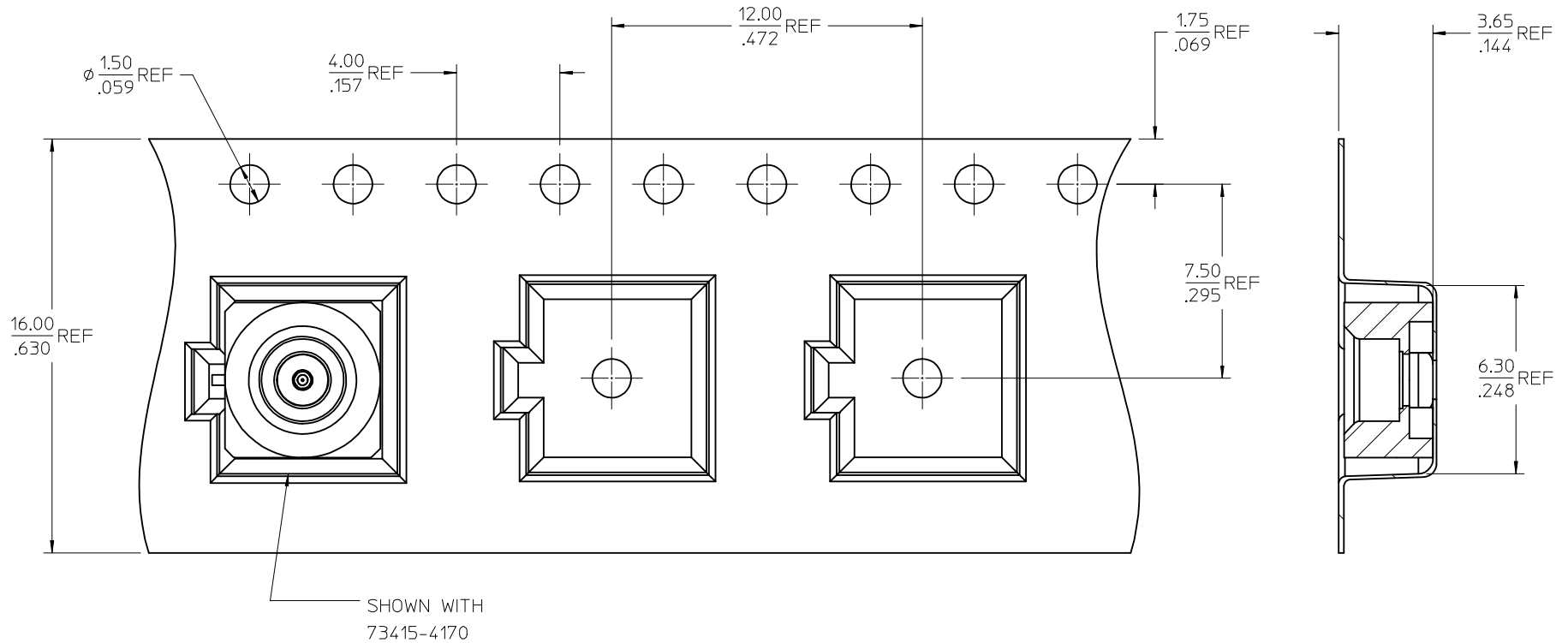
73415-4173	ONE PIECE 73415-4170 PER BAG
73415-4172	73415-4170 WITH KAPTON TAPE, TAPE AND REEL
73415-4171	73415-4170, TAPE AND REEL
73415-4170	PER COMMERCIAL REQUIREMENTS
PART NO.	DESCRIPTION

CHG: ADD DIMENSION 1.30/.051 IN E5 ZONE. UPD MATERIALS AND FINISHES NOTE. EC NO: URF-2017-0403 DRWIN:APRAKASH01 2017/06/02 CHKD:888 2017/06/02 APPR:AROBERTSON 2017/06/29	QUALITY SYMBOLS ∇=0 ∇=0 ∇=0	GENERAL TOLERANCES (UNLESS SPECIFIED)		DIMENSION STYLE MM/IN		SCALE	DESIGN UNITS METRIC	THIRD ANGLE PROJECTION	
		4 PLACES ± --- ± --- 3 PLACES ± --- ± .010 2 PLACES ± 0.25 ± --- 1 PLACE ± --- ± --- 0 PLACE ± --- ± ---		DRAWN BY DATE TEF 2003/02/07		TITLE SMP PLUG RA SMOOTH BORE MOD INTERFACE, 50 OHMS SMP-P/RA/PCB		SHEET NO. 1 OF 3	
		ANGULAR ± 2 °		APPROVED BY DATE GMH 2003/02/07		MATERIAL NO. SEE TABLE		DOCUMENT NO. SD-73415-417	
		DRAFT WHERE APPLICABLE MUST REMAIN WITHIN DIMENSIONS		SIZE C		THIS DRAWING CONTAINS INFORMATION THAT IS PROPRIETARY TO MOLEX INCORPORATED AND SHOULD NOT BE USED WITHOUT WRITTEN PERMISSION			

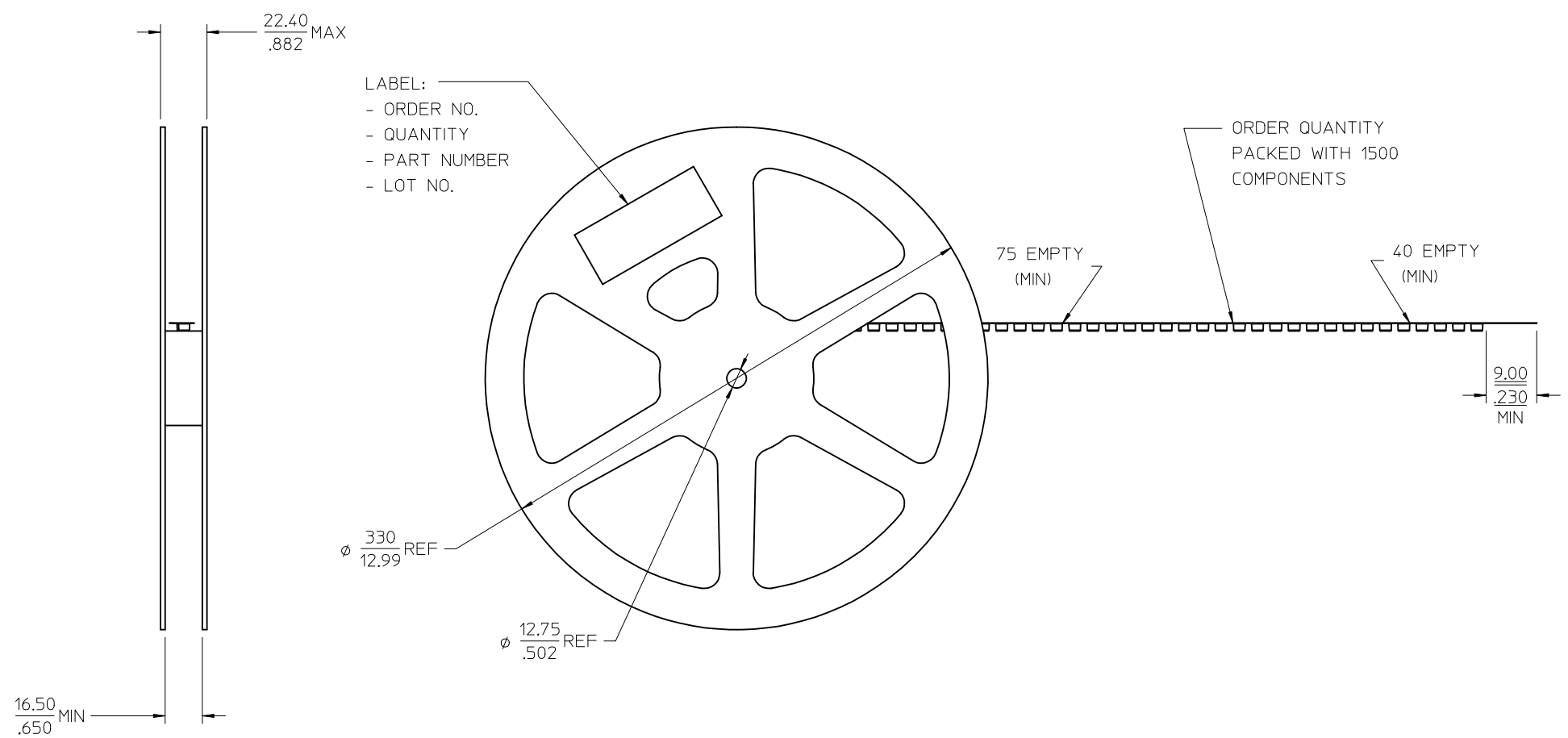
PS-89675-3320	PRODUCT SPECIFICATION
MIL-STD-348B, FIG. 326.5	INTERFACE
SPECIFICATION	DESCRIPTION

NOTE:

1. 10 PITCHES CUMULATIVE TOLERANCE ±0.20(.008)



CHG: SEE SHEET 1 EC NO: URF-2017-0403 DRAWN: PRAKASHO1 2017/06/02 CHKD: BBB 2017/06/02 APP: ARBERTSON 2017/06/29	QUALITY SYMBOLS ▽=0 ▽=0 ▽=0	GENERAL TOLERANCES (UNLESS SPECIFIED)		DIMENSION STYLE MM/IN		SCALE	DESIGN UNITS METRIC	THIRD ANGLE PROJECTION	
		mm	INCH	DRAWN BY TEF	DATE 2003/02/07	TITLE SMP PLUG RA SMOOTH BORE MOD INTERFACE, 50 OHMS SMP-P/RA/PCB			
A3	DESCRIPTION REV	4 PLACES	± .010	CHECKED BY SSS	DATE 2003/02/07	APPROVED BY GMH		DATE 2003/02/07	DOCUMENT NO. SD-73415-417
		3 PLACES	± .025	APPROVED BY GMH		DATE 2003/02/07	MATERIAL NO. SEE SHEET 1		
		ANGULAR ± 2 °		DRAFT WHERE APPLICABLE MUST REMAIN WITHIN DIMENSIONS		THIS DRAWING CONTAINS INFORMATION THAT IS PROPRIETARY TO MOLEX INCORPORATED AND SHOULD NOT BE USED WITHOUT WRITTEN PERMISSION			



CHG: SEE SHEET 1
EC NO: URF2017-0403
DRAWN: PRAKASHO1 2017/06/02
CHKD: 888 2017/06/02
APPR: ROBERTSON 2017/06/29

REV	DESCRIPTION
0	
1	
2	
3	

GENERAL TOLERANCES (UNLESS SPECIFIED)	
mm	INCH
4 PLACES	\pm .010
3 PLACES	\pm .010
2 PLACES	\pm 0.25
1 PLACE	\pm .010
0 PLACE	\pm .010

ANGULAR \pm 2 °

DRAFT WHERE APPLICABLE MUST REMAIN WITHIN DIMENSIONS

DIMENSION STYLE	
MM/IN	
DRAWN BY	DATE
TEF	2003/02/07
CHECKED BY	DATE
SSS	2003/02/07
APPROVED BY	DATE
GMH	2003/02/07
MATERIAL NO.	
SEE SHEET 1	

SCALE	DESIGN UNITS	THIRD ANGLE PROJECTION
	METRIC	
TITLE		
SMP PLUG RA SMOOTH BORE MOD INTERFACE, 50 OHMS SMP-P/RA/PCB		
molex		
DOCUMENT NO.	SHEET NO.	
SD-73415-417	3 OF 3	