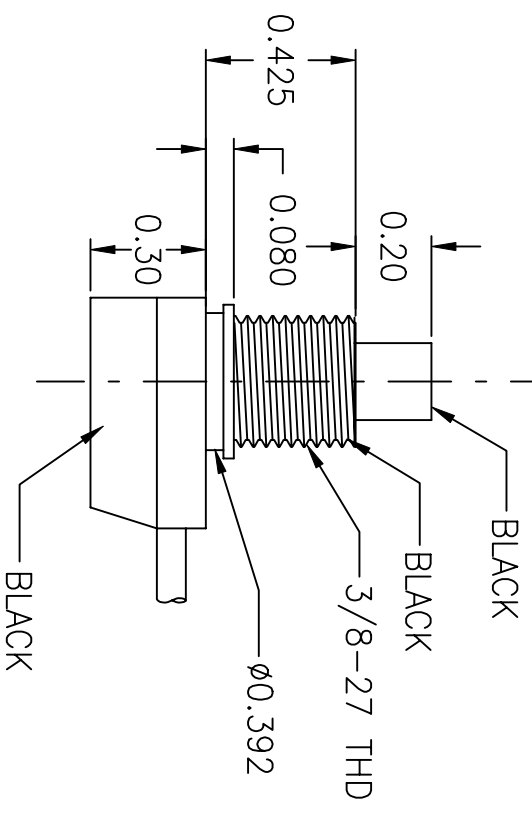
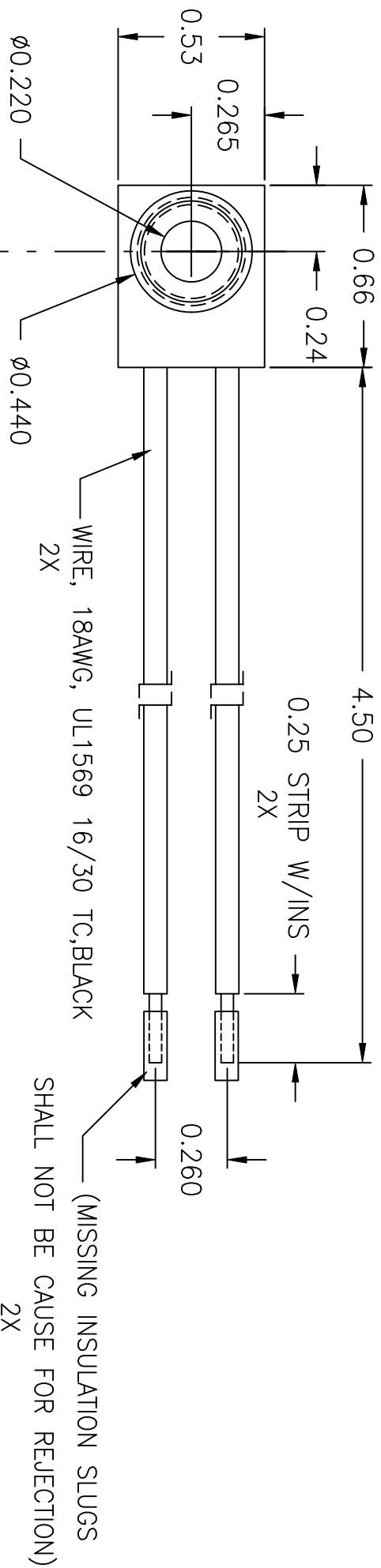


LTR	EN	DESCRIPTION	APPR	BY	DATE
A	-	INITIAL RELEASE	RB	DC	02-21-05



JUDCO INVENTORY NO. 40-4325-00
 SWITCH TYPE: PUSH ON-PUSH OFF, SPST
 UL ELECTRICAL RATING: 14VDC, 10A
 UL TEMPERATURE RATING: 65°C
 NUTS PACKED SEPARATELY.

CUSTOMER: DIGI-KEY
 CUSTOMER PN: 512PB-ND

APPROVED BY: _____
 DATE: _____

DIMENSIONS IN INCHES
 DIMENSIONS ARE REFERENCE

DRAWN: DC 02-21-05
 APPR: KJ 02-21-05

1415UT759A.DWG

HARBOR CITY CALIFORNIA
 OUTLINE
 J-188A-1 ULDC

DWG. NO. 1415-759
 SHEET 1 OF 1

This document embodies a product, component, and/or design proprietary to JUDCO MANUFACTURING INC., and which is protected either as a trade secret, by U.S. Patent, or by copyright. It may not be used in any way without written express consent of JUDCO MANUFACTURING INC.