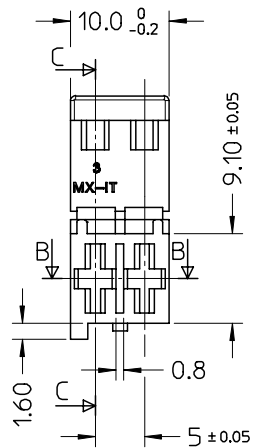
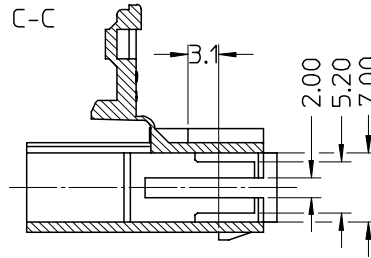


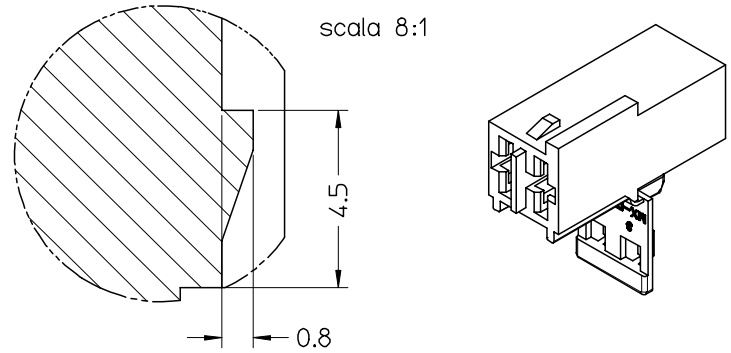
10 9 8 7 6 5 4 3 2 1



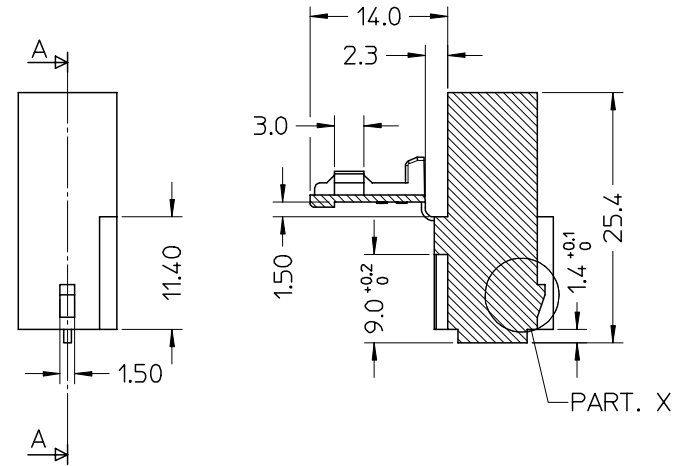
SEZ. C-C



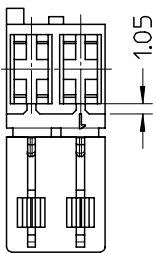
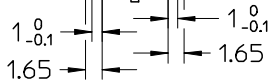
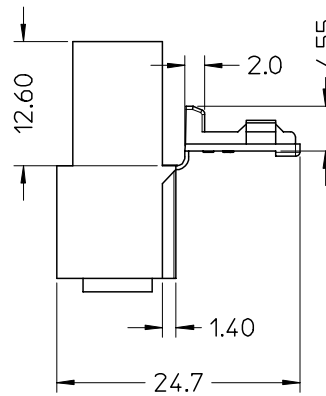
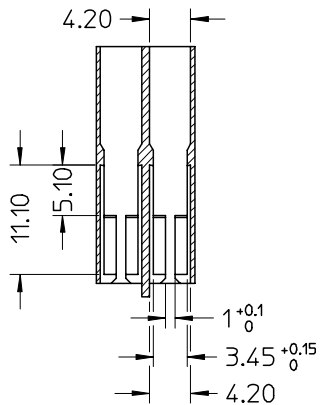
PART. X
scala 8:1



SEZ. A-A



SEZ. B-B



P/N	MATERIAL/COLOR
94535-7002	NYLON 6.6 V2 NATURAL
94535-4002	NYLON 6.6 GWT 750 °C secIEC 60335-1 TEST METHOD IEC 60695-2-11 NATURAL

CONFEZIONE: BOX DA 4000 PZ.
PACKAGING: 4000 PCS IN CARTON BOX

SPQ = 4000 PZ.

Std. Descr.: 'FEM HOUSING W/SEC LOCK 2 CKT

ENTER DESCRIPTION EC NO: Z2006-0187 DRWN:FGOTTARDO 2006/05/08 CHKD:RSANDANO 2006/05/09 APPR:GZUIN 2006/05/15	QUALITY SYMBOLS ▽=0 ∇=0	GENERAL TOLERANCES (UNLESS SPECIFIED)		DIMENSION STYLE MM ONLY		SCALE 4:1	DESIGN UNITS METRIC	FIRST ANGLE PROJECTION	
		mm	INCH	DRAWN BY FGOTTARDO	DATE 2002/06/27	TITLE HSG 2 CKT WITH SEC.LOCK AND EXTERNAL LATCH	MOLEX INCORPORATED		
		4 PLACES	± ---	± ---	CHECKED BY MTESTAGUZZA	DATE 2002/06/27	MATERIAL NO. VEDI TABELLA		
		3 PLACES	± ---	± ---	APPROVED BY GZUIN	DATE 2002/06/27			
		2 PLACES	± 0.1	± ---	DRAFT WHERE APPLICABLE MUST REMAIN WITHIN DIMENSIONS		SHEET NO. 1 OF 1		
		1 PLACE	± 0.2	± ---	SIZE A3				
			ANGULAR ± 2 °						

9 8 7 6 5 4 3 2 1