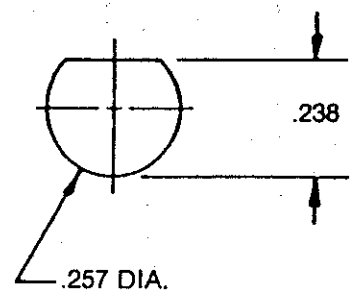


PROPRIETARY INFORMATION  
 NOT TO BE RELEASED  
 WITHOUT WRITTEN PERMISSION  
 FROM AN AUTHORIZED  
 REPRESENTATIVE OF  
 APPLIED ENGINEERING PRODUCTS.



NOTES: CONFORMS TO MIL-C-39012 SMA SERIES

**MATERIAL:**

1. BODIES AND NUT = STAINLESS STEEL PER ASTM-A-582, TYPE 303.
2. INSULATORS = TEFLON TFE PER ASTM-D-1710.
3. CONTACT = BERYLLIUM COPPER PER QQ-C-530.
4. CAP = BRASS PER QQ-B-626, ALLOY 360, 1/2 HARD.
5. LOCKWASHER = PHOSPHOR BRONZE PER QQ-B-750.
6. CRIMP SLEEVE = SEAMLESS COPPER TUBE PER WW-T-799 TEMPER DEAD SOFT ASTM-B-188.

**FINISHES:**

1. BODIES = PASSIVATE PER QQ-P-35, TYPE VI.
2. CONTACT = GOLD PLATE PER MIL-G-45204 TYPE II, CLASS I, GRADE C OVER STRESS FREE NICKEL PER QQ-N-290.
3. LOCKWASHER, CAP & CRIMP SLEEVE = NICKEL PLATE PER QQ-N-290, CLASS I, GRADE G EXCEPT OVER COPPER PER MIL-C-14550.

RIGHT ANGLE

BULKHEAD JACK

FOR USE WITH RG-174, 179, 316,  
 M17/113, 119, 172 & 173

APPLIED ENGINEERING PRODUCTS

104 John W. Murphy Drive, P.O. Box 510  
 New Haven, CT 06513

CODE IDENT.

19505

9613-9523-003