

MODEL NUMBER
TRM-2090-F0-SMA-02

NOTES:

1.0 ELECTRICAL SPECIFICATIONS:

1.1 FREQUENCY RANGE: DC TO 18.0 GHz

1.2 MAXIMUM INPUT POWER:

2 WATTS AT +25°C

1 WATT AT +125°C

1.3 MAXIMUM VSWR:

DC to 4 GHz: 1.05:1

4 to 12 GHz: 1.10:1

12 to 18 GHz: 1.14:1

1.4 IMPEDANCE: 50 OHMS

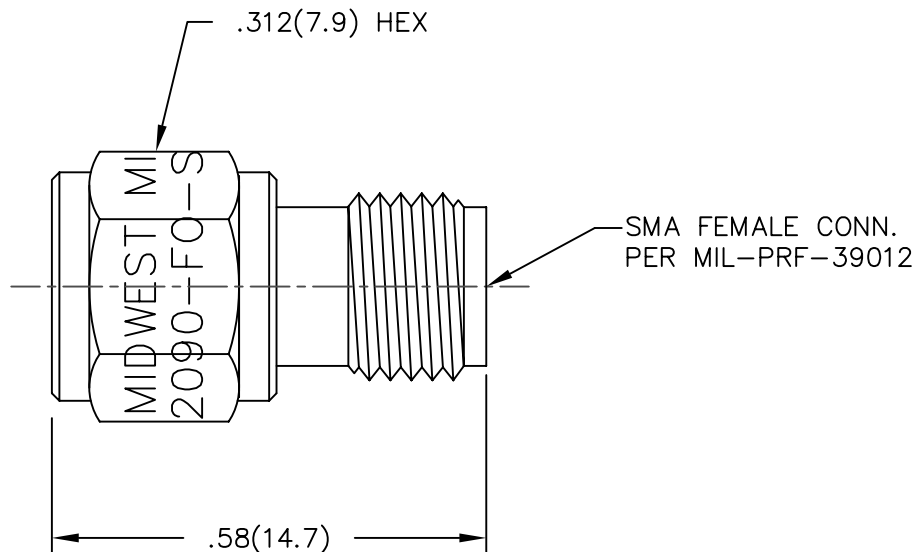
1.5 TEMPERATURE RANGE: -65°C to +125°C

2.0 MARKING:

2.1 MARK UNIT AS SHOWN:

REF.: INK-02639-27-07

3.0 DIMENSIONS IN PARENTHESIS ARE MILLIMETERS.



DWG. NO. WAS: 02360-01-00

REV.	DESCRIPTION	DATE
-	RELEASED	7/26/85
A	ECR 3676	6/24/85
B	ECR 5855	2/20/88
C	ECR 6545	8/27/89
D	ECR 6940	11/14/89
E	ECR 7356	4/24/90
E1	REDRAW ON CAD	9/6/91
F	ECN 11825	5/18/92
G	ECN 12132	10/15/92
H	ECN 13122	11/19/93
H1	ADDED TITLEBLOCK	10/28/05

NOTICE: The information contained in this drawing is proprietary and must not be used without the permission of Emerson Network Power.

UNLESS OTHERWISE NOTED DIMENSIONS ARE IN INCHES AND TOLERANCES ARE:

3 PLACE DECIMALS ±.005

2 PLACE DECIMALS ±.02

FRACTIONS ±1/64

PARALLELITY: T.I.R. _____

FLATNESS: T.I.R. _____

CONCENTRICITY: T.I.R. _____

ANGLES AND PERPENDICULARITY: ±1'

CAGE CODE 34078		MIDWEST MICROWAVE	
		TITLE 2 WATT TERMINATION OUTLINE DRAWING	
		DRAWN/DATE A.BEATTY 9/6/91	ENG./DATE G.KOZAK 9/23/91
DRAWING NUMBER TRM-2090-F0-SMA-02-01		REV. H1	
CHECKED/DATE C.RICKARD 9/10/91		APPROVED/DATE	
SCALE: 5=1	SHEET 1 of 1		