

NOTES:

1. MATERIALS AND FINISHES:

- HEX NUT - BRASS, WHITE BRONZE PLATING
- LOCK WASHER - BRASS, WHITE BRONZE PLATING
- GASKET - SILICONE RUBBER, RED
- FERRULE - COPPER, WHITE BRONZE PLATING
- SLEEVE - PTFE, NATURAL
- CONTACT - PHOSPHOR BRONZE, GOLD PLATING
- BODY - BRASS, WHITE BRONZE PLATING
- INSULATOR - PTFE, NATURAL

2. ELECTRICAL:

- A. IMPEDANCE: 50 OHM
- B. FREQUENCY RANGE: 0-6 GHz
- C. VSWR (RETURN LOSS): 1.2 MAX. @ 0-4GHz
- D. INSERTION LOSS: <0.3 dB TO <0.7 dB @ DC-4 GHz
- E. D.W.V: 2500 VRMS, MIN.

3. MECHANICAL:

- A. DURABILITY: 500 CYCLES MIN.
- B. TEMPERATURE RANGE: -65°C TO +165°C

4. CRIMPED FERRULE HEX. CRIMP SIZE .213"

5. CRIMPED CONTACT PIN HEX. CRIMP SIZE .105" OR SOLDER

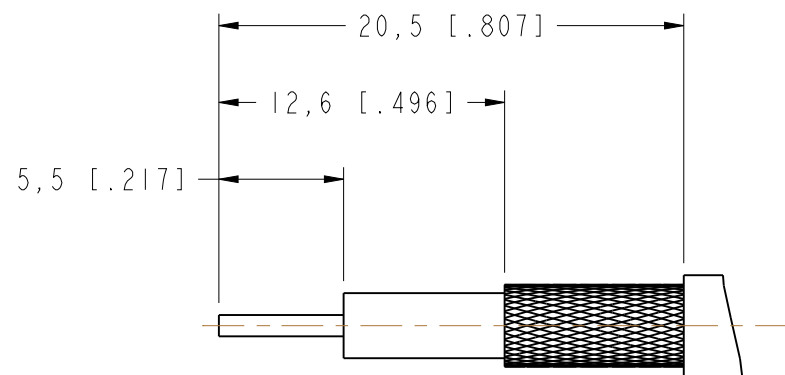
6. MAX. PANEL THICKNESS=6.5MM

▷ SHOWS CABLE ENTRY DIMENSIONS.

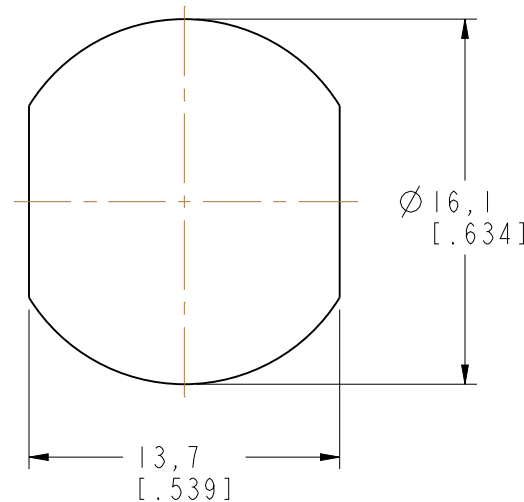
THIRD ANGLE PROJ.

REVISIONS

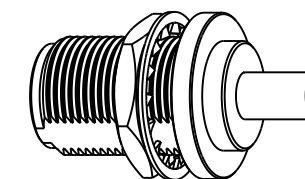
REV	DESCRIPTION	DATE	ECO	APPR
A	RELEASE TO MFG.	25-Mar-15	2887	BCG



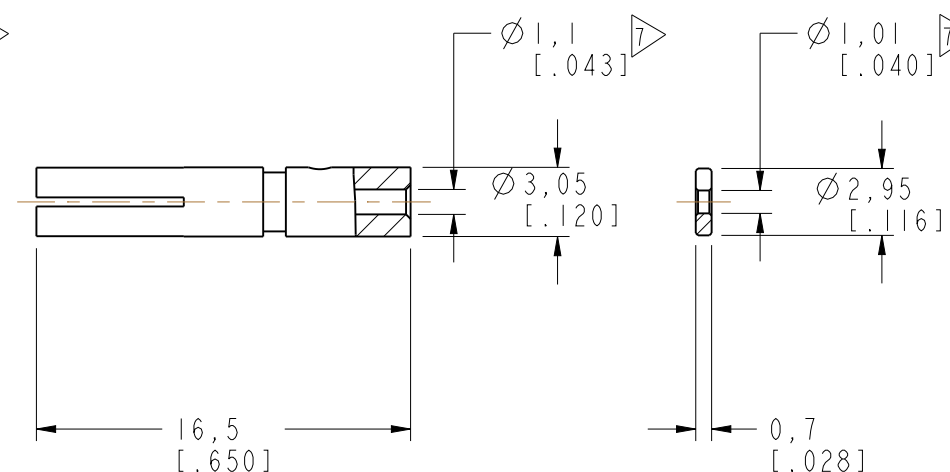
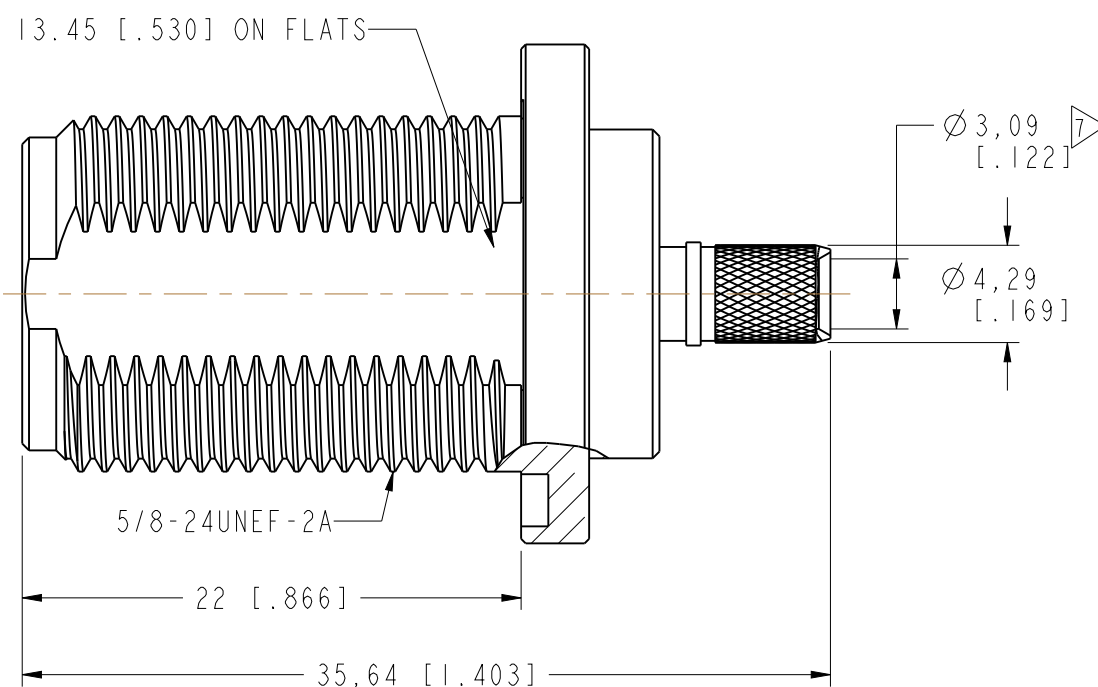
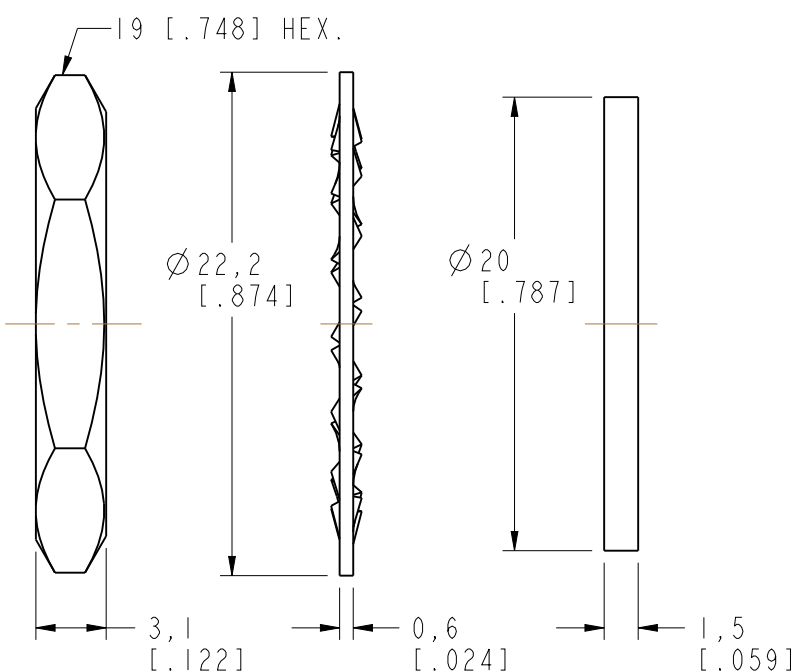
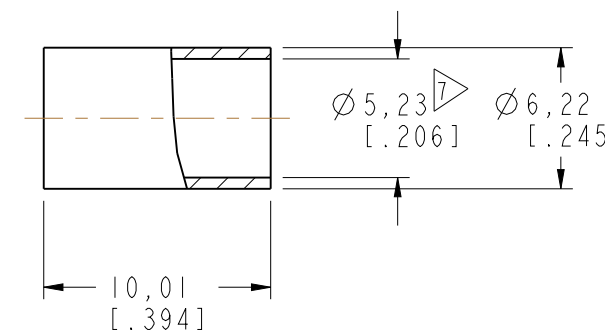
RECOMMENDED
CABLE STRIPPING DIM'S



RECOMMENDED
MOUNTING HOLE



SCALE 1.000



UNLESS OTHERWISE SPECIFIED, DIMENSIONS ARE IN METRIC AND TOLERANCES ARE:
 <0.5mm ±0.05mm 0.5 - 6mm ±0.1mm 6 - 30mm ±0.2mm 30 - 120mm ±0.3mm ANGLES ±1°

NOTICE - These drawings, specifications, or other data (1) are, and remain the property of Amphenol corp. (2) must be returned upon request; and (3) are confidential and not to be disclosed to any person other than those to whom they are given by Amphenol Corp. the furnishing of these drawings, specifications, or other data by Amphenol Corp., or to any other person to anyone for any purpose is not to be regarded by implication or otherwise in any manner licensing, granting rights to permitting such holder or any other person to manufacture, use or sell any product, process or design, patented or otherwise, that may in any way be related to or disclosed by said drawings, specifications, or other data.

MATERIAL	DRAWN M. ZHANG	DATE 12-Dec-14	TITLE N BULKHEAD CRIMP JACK (FOR LMR/FBT-195 CABLE)		Amphenol Connex
REFERENCE N6421A1-023-AT5GP-50 EAR #6467	ENGINEER B.C. GLEISSNER	DATE 12-Dec-14	DRAWING NO.		
CONFIGURATION LEVEL: In Work	APPROVED B.C. GLEISSNER	DATE 25-Mar-15	SCALE: 3.0:1.0	SHEET 3 OF 3	ITEM NO.
FINISH	CAD FILE		DWG SIZE B	REV A	PART NO. 172384