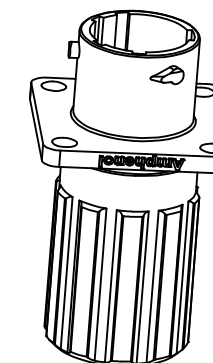
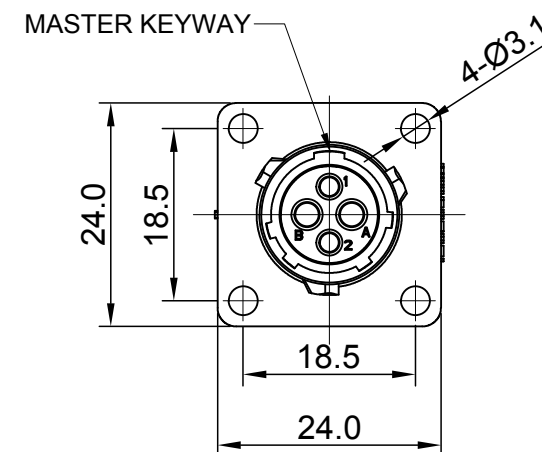
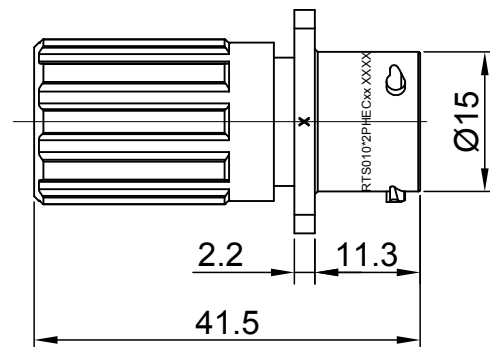
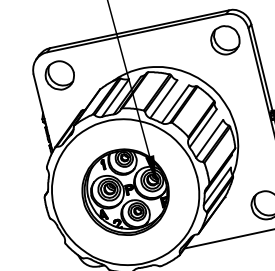


| REVISIONS |     |                                |             |       |       |
|-----------|-----|--------------------------------|-------------|-------|-------|
| REV       | ECO | DESCRIPTION                    | DATE        | BY    | APPR  |
| A1        | --  | FIRST RELEASED                 | Jun.29.2017 | Nick  | Tommy |
| A2        | --  | UPDATE PANEL CUT OUT REFERENCE | Aug.08.2017 | Nick  | Tommy |
| A3        | --  | UPDATE DRAWING                 | Mar-19-2018 | White | Tommy |
| A4        | --  | UPDATE DRAWING                 | Apr-10-2018 | White | Tommy |

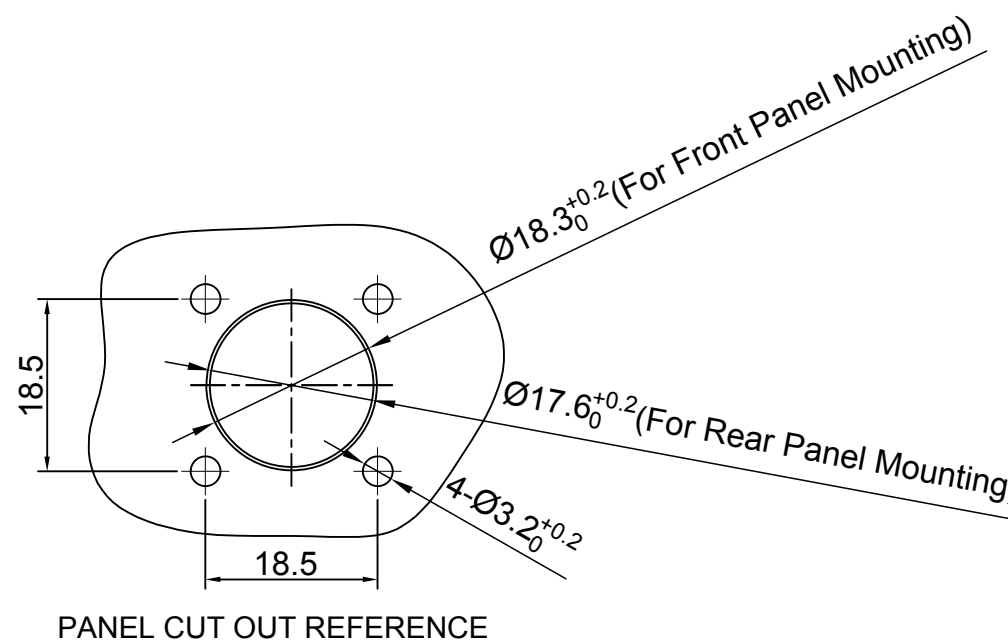


SEALING PLUGS CAN BE PURCHASED SEPARATELY



NOTES : (UNLESS OTHERWISE SPECIFIED)

- MATERIAL :
  - SHELL : THERMOPLASTIC , UL94 V-0.
  - INSERT : THERMOPLASTIC , UL94 V-0.
  - O-RING : NBR OR SILICONE RUBBER.
  - SEAL GASKET : NBR OR SILICONE RUBBER.
  - END CAP : THERMOPLASTIC , UL94 V-0.
  - PLASTIC RING:THERMOPLASTIC , UL94 V-0.
  - WIRE SEAL : SILICONE RUBBER.
- SPECIFICATIONS :
  - RATED CURRENT :
    - 16# CONTACT 13A (MAX) .
    - 20# CONTACT 5A (MAX).
  - RATED VOLTAGE : 500V(AC/DC).
  - OPERATING TEMPERATURE : SEE TABLE .
  - DIELECTRIC WITHSTANDING VOLTAGE : LESS THAN 2 MILLIAMPS CURRENT LEAKAGE@2000 VOLTS AC.
  - INSULATION RESISTANCE : 5000 MEGOHMS MIN.
  - IP--CLASS : IP67 AND IP69K IN THE MATED CONDITION, WIRE SEALS FULLY POPULATED.
  - MATING CYCLES DURABILITY : 500 CYCLES MIN.
  - RoHS COMPLIANT.
- SUITABLE CONTACTS : 16# & 20# CONTACTS.
- ALL DIMENSIONS ARE FOR REFERENCE USE ONLY.



| KEY | PART NUMBER  |                |
|-----|--------------|----------------|
|     |              | -40°C ~ 105°C  |
| N   | RTS010N2PHEC | RTS010N2PHEC03 |

| QUANTITY   | PART NUMBER | DESCRIPTION   | ITEM     |            |      |              |             |              |             |                |    |                 |             |
|--|-------------|---|----------|------------|------|--------------|-------------|--------------|-------------|----------------|----|-----------------|-------------|
| <b>MATERIALS LIST</b>  |             |   |          |            |      |              |             |              |             |                |    |                 |             |
| UNLESS OTHERWISE SPECIFIED<br>1) All dimensions are in metric(mm).<br>2) Tolerances are as follows:<br>1 PL DEC ±0.30   Fractions ±1/64<br>2 PL DEC ±0.15   Angles ±1°<br>3 PL DEC ±0.08 |             | <table border="1"> <thead> <tr> <th>SIGNATURES</th> <th>DATE</th> </tr> </thead> <tbody> <tr> <td>DRAWN: White</td> <td>Apr-10-2018</td> </tr> <tr> <td>CHECKED: Tod</td> <td>Apr-10-2018</td> </tr> <tr> <td>ENGINEER:</td> <td></td> </tr> <tr> <td>APPROVAL: Tommy</td> <td>Apr-10-2018</td> </tr> </tbody> </table> |          | SIGNATURES | DATE | DRAWN: White | Apr-10-2018 | CHECKED: Tod | Apr-10-2018 | ENGINEER:      |    | APPROVAL: Tommy | Apr-10-2018 |
| SIGNATURES   | DATE        |   |          |            |      |              |             |              |             |                |    |                 |             |
| DRAWN: White   | Apr-10-2018 |   |          |            |      |              |             |              |             |                |    |                 |             |
| CHECKED: Tod   | Apr-10-2018 |   |          |            |      |              |             |              |             |                |    |                 |             |
| ENGINEER:  |             |   |          |            |      |              |             |              |             |                |    |                 |             |
| APPROVAL: Tommy  | Apr-10-2018 |   |          |            |      |              |             |              |             |                |    |                 |             |
| MATERIAL SPECIFICATIONS:   |             | <h1>Amphenol</h1> <p>Sine Systems - www.amphenol-sine.com<br/>44724 Morley Drive<br/>Clinton Township, MI 48036</p>   |          |            |      |              |             |              |             |                |    |                 |             |
| PROCESS SPECIFICATIONS:  |             | <p>ECO-MATE, RECEPTACLE, END CAP, FLANGE, SIZE 10, 2+2 POS, PIN</p>   |          |            |      |              |             |              |             |                |    |                 |             |
| NEXT ASSY:   |             | <table border="1"> <tr> <td>SIZE</td> <td>TYPE</td> <td>DWG NO:</td> <td>REVISION</td> </tr> <tr> <td>B</td> <td>C-</td> <td>RTS010*2PHECxx</td> <td>A4</td> </tr> </table>   |          | SIZE       | TYPE | DWG NO:      | REVISION    | B            | C-          | RTS010*2PHECxx | A4 |                 |             |
| SIZE   | TYPE        | DWG NO:   | REVISION |            |      |              |             |              |             |                |    |                 |             |
| B  | C-          | RTS010*2PHECxx  | A4       |            |      |              |             |              |             |                |    |                 |             |
| SCALE: NONE  |             | SHEET 1 OF 1  |          |            |      |              |             |              |             |                |    |                 |             |

TITLE: ECO-MATE RECEPTACLE END CAP FLANGE, SIZE 10, 2+2 POS, PIN

DWG NO:

RTS010\*2PHECxx

REV: A4

SH: 1

OF: 1

## ecomate® RM/RSSM/Aquarius™ - Contact Size 20 Options

| Crimp Contacts, Machined |            |       |                               |            |
|--------------------------|------------|-------|-------------------------------|------------|
| Part Number              |            | AWG   | Wire Range (mm <sup>2</sup> ) | Plating    |
| Male                     | Female     |       |                               |            |
| MP20W23F                 | MS20W23F   | 22-20 | 0.34-0.50                     | Gold Flash |
| MP20W23G5                | MS20W23G5  | 22-20 | 0.34-0.50                     | Gold 5μ"   |
| MP20W23G10               | MS20W23G10 | 22-20 | 0.34-0.50                     | Gold 10μ"  |
| MP20W23G15               | MS20W23G15 | 22-20 | 0.34-0.50                     | Gold 15μ"  |
| MP20W23G30               | MS20W23G30 | 22-20 | 0.34-0.50                     | Gold 30μ"  |
| MP24W23F                 | MS24W23F   | 26-24 | 0.13-0.25                     | Gold Flash |
| MP24W23G5                | MS24W23G5  | 26-24 | 0.13-0.25                     | Gold 5μ"   |
| MP24W23G10               | MS24W23G10 | 26-24 | 0.13-0.25                     | Gold 10μ"  |
| MP24W23G15               | MS24W23G15 | 26-24 | 0.13-0.25                     | Gold 15μ"  |
| MP24W23G30               | MS24W23G30 | 26-24 | 0.13-0.25                     | Gold 30μ"  |
| MP28W23F                 | MS28W23F   | 30-28 | 0.05-0.08                     | Gold Flash |
| MP28W23G5                | MS28W23G5  | 30-28 | 0.05-0.08                     | Gold 5μ"   |
| MP28W23G10               | MS28W23G10 | 30-28 | 0.05-0.08                     | Gold 10μ"  |
| MP28W23G15               | MS28W23G15 | 30-28 | 0.05-0.08                     | Gold 15μ"  |
| MP28W23G30               | MS28W23G30 | 30-28 | 0.05-0.08                     | Gold 30μ"  |

| Tooling, Machined |  |
|-------------------|--|
| Part Number       | Description                                  |
| QXRT20            | Contact Extraction Tool, #20 (Ø 1.0) Contact |
| MFY-3959          | Hand Crimp Tool for Machined Contacts        |
| MFY-3960          | Pneumatic Crimp Tool for Machined Contact    |

| Plating Options, All |  |
|----------------------|--|
| Symbol               | Plating                                    |
| T                    | Tin Plated (for Stamped & Formed Contacts) |
| S                    | Silver Plated 5Um (for Machined Contacts)  |
| F                    | Gold Plated                                |
| G5                   | Gold Plated (Thickness 5μ")                |
| G10                  | Gold Plated (Thickness 10μ")               |
| G15                  | Gold Plated (Thickness 15μ")               |
| G30                  | Gold Plated (Thickness 30μ")               |

| Crimp Contacts, Stamped & Formed |           |       |                               |            |
|----------------------------------|-----------|-------|-------------------------------|------------|
| Part Number                      |           | AWG   | Wire Range (mm <sup>2</sup> ) | Plating    |
| Male                             | Female    |       |                               |            |
| SP20W2F                          | SS20W2F   | 22-20 | 0.34-0.50                     | Gold Flash |
| SP20W2G5                         | SS20W2G5  | 22-20 | 0.34-0.50                     | Gold 5μ"   |
| SP20W2G10                        | SS20W2G10 | 22-20 | 0.34-0.50                     | Gold 10μ"  |
| SP20W2G15                        | SS20W2G15 | 22-20 | 0.34-0.50                     | Gold 15μ"  |
| SP20W2G30                        | SS20W2G30 | 22-20 | 0.34-0.50                     | Gold 30μ"  |
| SP24W2F                          | SS24W2F   | 26-24 | 0.14-0.25                     | Gold Flash |
| SP24W2G5                         | SS24W2G5  | 26-24 | 0.14-0.25                     | Gold 5μ"   |
| SP24W2G10                        | SS24W2G10 | 26-24 | 0.14-0.25                     | Gold 10μ"  |
| SP24W2G15                        | SS24W2G15 | 26-24 | 0.14-0.25                     | Gold 15μ"  |
| SP24W2G30                        | SS24W2G30 | 26-24 | 0.14-0.25                     | Gold 30μ"  |
| SP28W2F                          | SS28W2F   | 30-28 | 0.05-0.08                     | Gold Flash |
| SP28W2G5                         | SS28W2G5  | 30-28 | 0.05-0.08                     | Gold 5μ"   |
| SP28W2G10                        | SS28W2G10 | 30-28 | 0.05-0.08                     | Gold 10μ"  |
| SP28W2G15                        | SS28W2G15 | 30-28 | 0.05-0.08                     | Gold 15μ"  |
| SP28W2G30                        | SS28W2G30 | 30-28 | 0.05-0.08                     | Gold 30μ"  |

| Tooling, Stamped & Formed |  |
|---------------------------|--|
| Part Number               | Description  |
| QXRT20                    | Contact Extraction Tool, #20 (Ø 1.0) Contact           |
| MFY-3958                  | Hand Tool, Stamped & Formed Contact, Size 20, 20-28AWG |
| MFY-3957                  | Crimp Die for Stamped & Formed Contact                 |

| Misc Tooling, All |                            |
|-------------------|----------------------------|
| Part Number       | Description                |
| CA-4020-59        | Sealing Plug, Size 16 & 20 |

| Standard Quantity Order Options |                   |
|---------------------------------|-------------------|
| Machined                        | Stamped & Formed  |
| Bulk Package, 500 Pieces        | Reel, 3000 Pieces |

## ecomate® RM/RSSM/Aquarius™ - Contact Size 16 Options

| Crimp Contacts, Machined |            |       |                               |            |
|--------------------------|------------|-------|-------------------------------|------------|
| Part Number              |            | AWG   | Wire Range (mm <sup>2</sup> ) | Plating    |
| Male                     | Female     |       |                               |            |
| MP14M23F                 | MS14M23F   | 14    | 2.0-2.5                       | Gold Flash |
| MP14M23G5                | MS14M23G5  | 14    | 2.0-2.5                       | Gold 5μ"   |
| MP14M23G10               | MS14M23G10 | 14    | 2.0-2.5                       | Gold 10μ"  |
| MP14M23G15               | MS14M23G15 | 14    | 2.0-2.5                       | Gold 15μ"  |
| MP14M23G30               | MS14M23G30 | 14    | 2.0-2.5                       | Gold 30μ"  |
| MP16M23F                 | MS16M23F   | 18-16 | 0.75-1.5                      | Gold Flash |
| MP16M23G5                | MS16M23G5  | 18-16 | 0.75-1.5                      | Gold 5μ"   |
| MP16M23G10               | MS16M23G10 | 18-16 | 0.75-1.5                      | Gold 10μ"  |
| MP16M23G15               | MS16M23G15 | 18-16 | 0.75-1.5                      | Gold 15μ"  |
| MP16M23G30               | MS16M23G30 | 18-16 | 0.75-1.5                      | Gold 30μ"  |
| MP20M23F                 | MS20M23F   | 22-20 | 0.34-0.50                     | Gold Flash |
| MP20M23G5                | MS20M23G5  | 22-20 | 0.34-0.50                     | Gold 5μ"   |
| MP20M23G10               | MS20M23G10 | 22-20 | 0.34-0.50                     | Gold 10μ"  |
| MP20M23G15               | MS20M23G15 | 22-20 | 0.34-0.50                     | Gold 15μ"  |
| MP20M23G30               | MS20M23G30 | 22-20 | 0.34-0.50                     | Gold 30μ"  |
| MP24M23F                 | MS24M23F   | 26-24 | 0.14-0.25                     | Gold Flash |
| MP24M23G5                | MS24M23G5  | 26-24 | 0.14-0.25                     | Gold 5μ"   |
| MP24M23G10               | MS24M23G10 | 26-24 | 0.14-0.25                     | Gold 10μ"  |
| MP24M23G15               | MS24M23G15 | 26-24 | 0.14-0.25                     | Gold 15μ"  |
| MP24M23G30               | MS24M23G30 | 26-24 | 0.14-.025                     | Gold 30μ"  |

| Tooling, Machined |  |
|-------------------|--|
| Part Number       | Description                                  |
| QXRT16            | Contact Extraction Tool, #16 (Ø 1.6) Contact |
| MFY-3959          | Hand Crimp Tool for Machined Contacts        |
| MFY-3960          | Pneumatic Crimp Tool for Machined Contact    |

| Plating Options, All |  |
|----------------------|--|
| Symbol               | Plating                                    |
| T                    | Tin Plated (for Stamped & Formed Contacts) |
| S                    | Silver Plated 5Um (for Machined Contacts)  |
| F                    | Gold Plated                                |
| G5                   | Gold Plated (Thickness 5μ")                |
| G10                  | Gold Plated (Thickness 10μ")               |
| G15                  | Gold Plated (Thickness 15μ")               |
| G30                  | Gold Plated (Thickness 30μ")               |

| Crimp Contacts, Stamped & Formed |           |       |                               |            |
|----------------------------------|-----------|-------|-------------------------------|------------|
| Part Number                      |           | AWG   | Wire Range (mm <sup>2</sup> ) | Plating    |
| Male                             | Female    |       |                               |            |
| SP14M2F                          | SS14M2F   | 14    | 2.0-2.5                       | Gold Flash |
| SP14M2G5                         | SS14M2G5  | 14    | 2.0-2.5                       | Gold 5μ"   |
| SP14M2G10                        | SS14M2G10 | 14    | 2.0-2.5                       | Gold 10μ"  |
| SP14M2G15                        | SS14M2G15 | 14    | 2.0-2.5                       | Gold 15μ"  |
| SP14M2G30                        | SS14M2G30 | 14    | 2.0-2.5                       | Gold 30μ"  |
| SP16M2F                          | SS16M2F   | 18-16 | 0.75-1.5                      | Gold Flash |
| SP16M2G5                         | SS16M2G5  | 18-16 | 0.75-1.5                      | Gold 5μ"   |
| SP16M2G10                        | SS16M2G10 | 18-16 | 0.75-1.5                      | Gold 10μ"  |
| SP16M2G15                        | SS16M2G15 | 18-16 | 0.75-1.5                      | Gold 15μ"  |
| SP16M2G30                        | SS16M2G30 | 18-16 | 0.75-1.5                      | Gold 30μ"  |
| SP20M2F                          | SS20M2F   | 22-20 | 0.34-0.50                     | Gold Flash |
| SP20M2G5                         | SS20M2G5  | 22-20 | 0.34-0.50                     | Gold 5μ"   |
| SP20M2G10                        | SS20M2G10 | 22-20 | 0.34-0.50                     | Gold 10μ"  |
| SP20M2G15                        | SS20M2G15 | 22-20 | 0.34-0.50                     | Gold 15μ"  |
| SP20M2G30                        | SS20M2G30 | 22-20 | 0.34-0.50                     | Gold 30μ"  |
| SP24M2F                          | SS24M2F   | 26-24 | 0.14-0.25                     | Gold Flash |
| SP24M2G5                         | SS24M2G5  | 26-24 | 0.14-0.25                     | Gold 5μ"   |
| SP24M2G10                        | SS24M2G10 | 26-24 | 0.14-0.25                     | Gold 10μ"  |
| SP24M2G15                        | SS24M2G15 | 26-24 | 0.14-0.25                     | Gold 15μ"  |
| SP24M2G30                        | SS24M2G30 | 26-24 | 0.14-0.25                     | Gold 30μ"  |

| Tooling, Stamped & Formed |  |
|---------------------------|--|
| Part Number               | Description  |
| QXRT16                    | Contact Extraction Tool, #16 (Ø 1.6) Contact           |
| MFY-3954                  | Hand Tool, Stamped & Formed Contact, Size 16, 20-14AWG |
| MFY-3957                  | Crimp Die, Stamped & Formed Contact                    |

| Misc Tooling, All |                            |
|-------------------|----------------------------|
| Part Number       | Description                |
| CA-4020-59        | Sealing Plug, Size 16 & 20 |

| Standard Quantity Order Options |                   |
|---------------------------------|-------------------|
| Machined                        | Stamped & Formed  |
| Bulk Package, 500 Pieces        | Reel, 3000 Pieces |