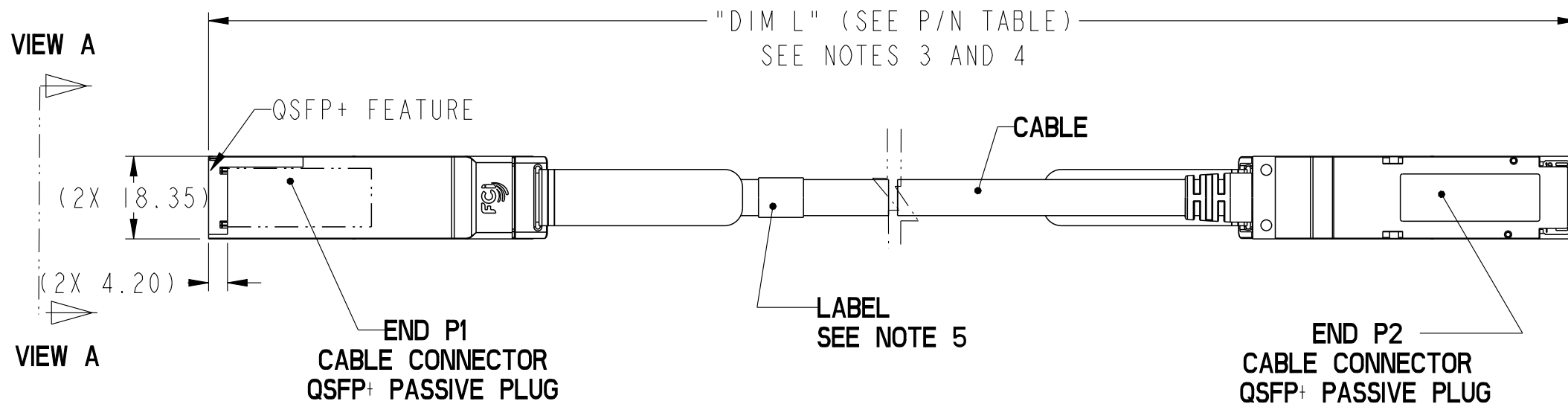
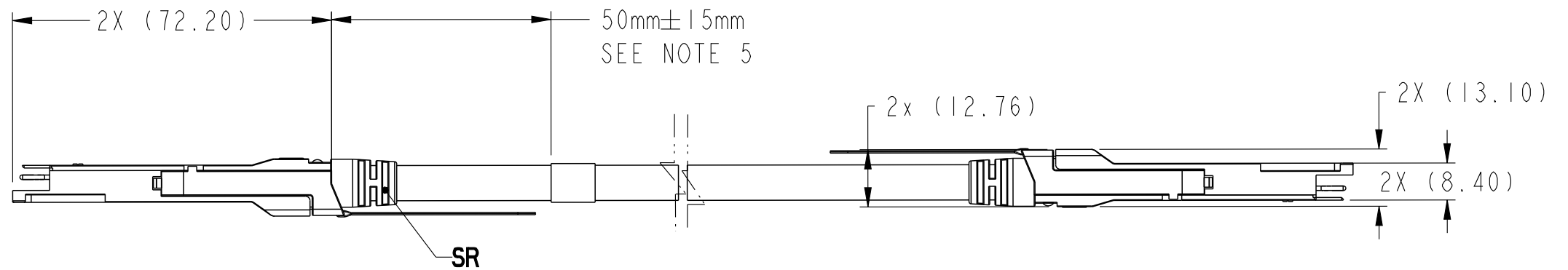
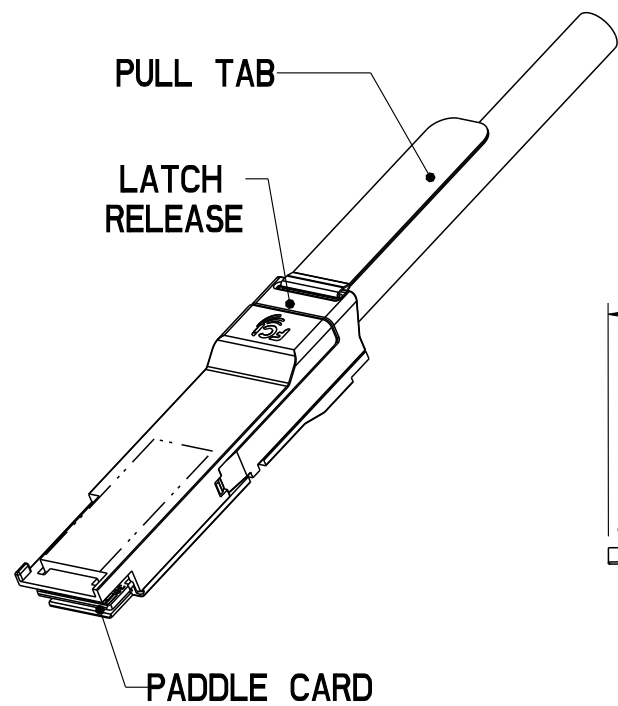
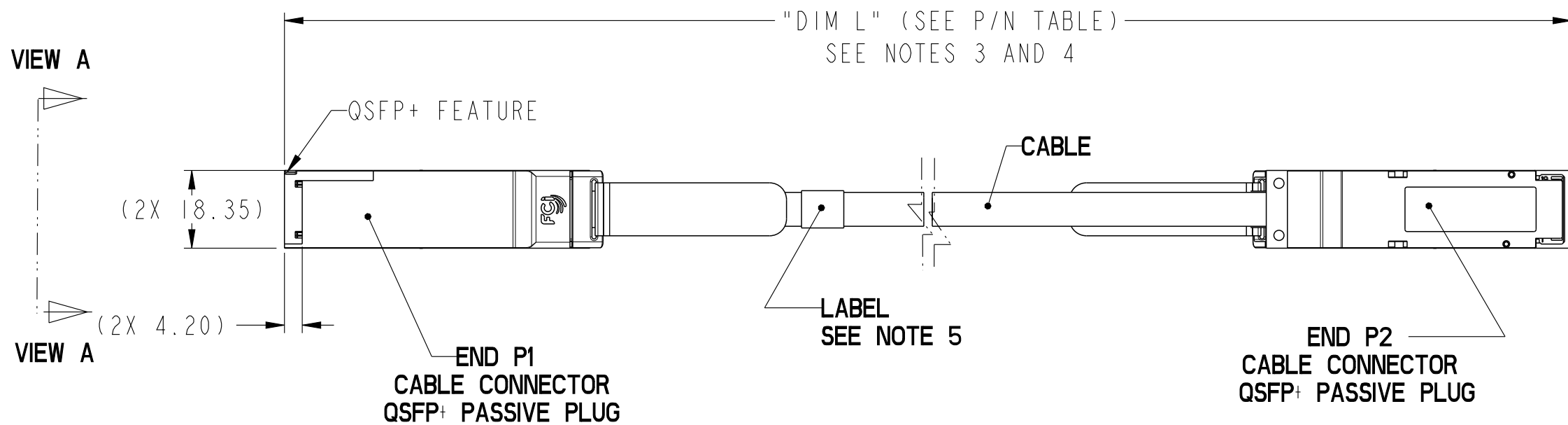
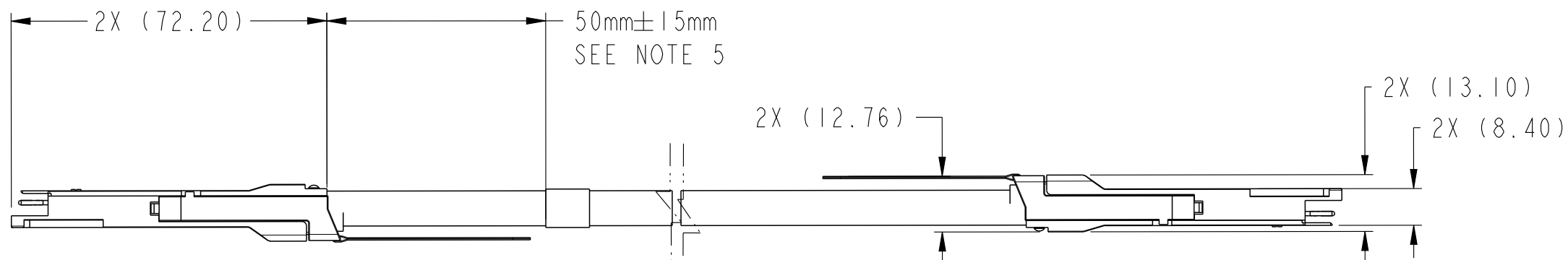
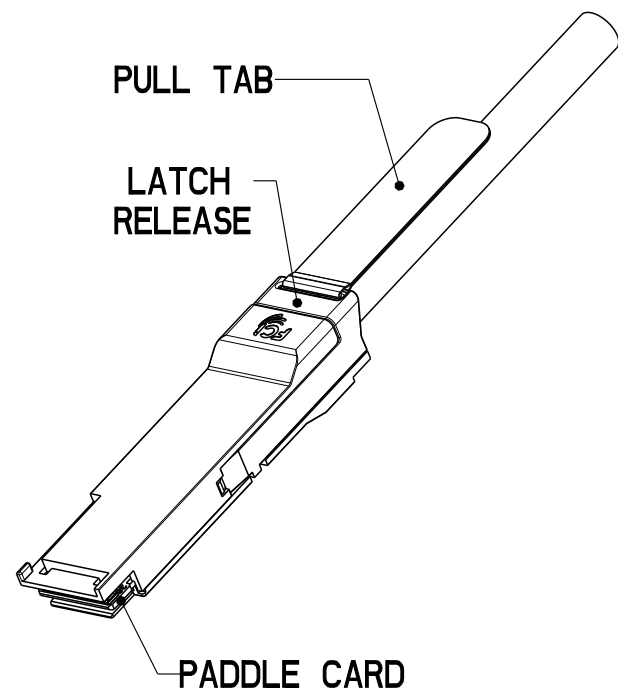


PRODUCT NUMBER	NOTES
10121178-2XXXLF	SEE SHT. 4



spec ref	dr	David Humbert	2012/06/21	projection	mm	size	A3	scale	3:10
tolerance std	eng	Shawn Xu	2017/01/19			ecn no	ELX-N-25695-1	rel level	Released
TOLERANCES UNLESS OTHERWISE SPECIFIED									
surface		linear	0.X	±0.3	<b>Amphenol FCI</b>	FINAL ASSEMBLY 4X28G QSFP+ (PASSIVE) ASSEMBLY	dwg no 10121178	rev J	cat. no. -
			0.XX	±0.10					
			0.XXX	±0.050					
	angular	0°	±2°	Product - Customer Drw		sheet 1 of 4			

PRODUCT NUMBER	NOTES
10121178-4XXXLF	SEE SHT. 4



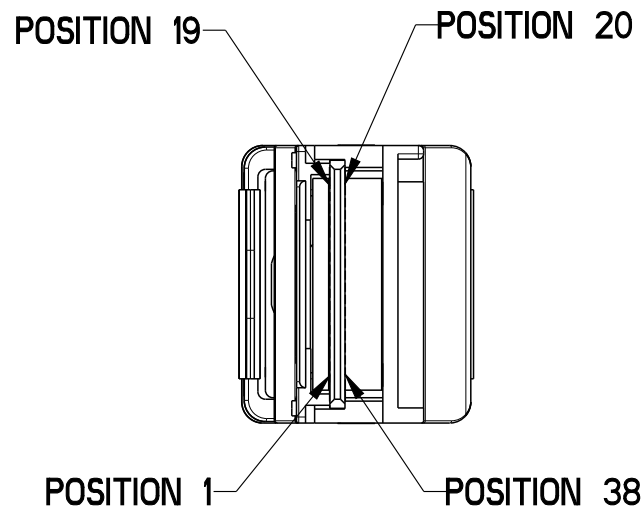
VIEW A  
VIEW A

spec ref	dr	David Humbert	2012/06/21	projection	mm	size	A3	scale	31:120
tolerance std	eng	Shawn Xu	2017/01/19			ecn no	ELX-N-25695-1	rel level	Released
TOLERANCES UNLESS OTHERWISE SPECIFIED									
surface	linear	0.X	±0.3			<b>FINAL ASSEMBLY</b> 4X28G QSFP+ (PASSIVE) ASSEMBLY		dwg no	10121178
		0.XX	±0.10						
		0.XXX	±0.050						
	angular	0°	±2°	www.fci.com	cat. no.	-	Product - Customer Drw	sheet 2 of 4	

PRODUCT NUMBER	NOTES
10121178-XXXXLF	SEE SHT. 4

## WIRING LIST (SEE NOTE 6)

END P1			END P2	
POSITION	SYMBOL		POSITION	SYMBOL
1	GND (TX)	---▷	20	GND (RX)
2	TX2n	---▷	21	RX2n
3	TX2p	---▷	22	RX2p
4	GND (TX)	---▷	23	GND (RX)
5	TX4n	---▷	24	RX4n
6	TX4p	---▷	25	RX4p
7	GND (TX)	---▷	26	GND (RX)
13	GND (RX)	◁---	32	GND (TX)
14	RX3p	◁---	33	TX3p
15	RX3n	◁---	34	TX3n
16	GND (RX)	◁---	35	GND (TX)
17	RX1p	◁---	36	TX1p
18	RX1n	◁---	37	TX1n
19	GND (RX)	◁---	38	GND (TX)
20	GND (RX)	◁---	1	GND (TX)
21	RX2n	◁---	2	TX2n
22	RX2p	◁---	3	TX2p
23	GND (RX)	◁---	4	GND (TX)
24	RX4n	◁---	5	TX4n
25	RX4p	◁---	6	TX4p
26	GND (RX)	◁---	7	GND (TX)
32	GND (TX)	---▷	13	GND (RX)
33	TX3p	---▷	14	RX3p
34	TX3n	---▷	15	RX3n
35	GND (TX)	---▷	16	GND (RX)
36	TX1p	---▷	17	RX1p
37	TX1n	---▷	18	RX1n
38	GND (TX)	---▷	19	GND (RX)



LOW SPEED SIGNALS P1 & P2	
POSITION	SYMBOL
8	ModSell
9	ResetL
10	VccRx
11	SCL
12	SDA
27	ModPrsL
28	IntL
29	VccTx
30	VccI
31	LPMODE

SHIELD-----▷ SHIELD

spec ref		dr	David Humbert	2012/06/21	projection 	mm ←→	size	A3	scale	3:10					
tolerance std		eng	Shawn Xu	2017/01/19			ecn no	ELX-N-25695-1							
TOLERANCES UNLESS OTHERWISE SPECIFIED		chr	-	-	product family	QSFP PLUG	rel level	Released							
		appr	Michael Zhou	2017/01/19			surface	linear	0.X	±0.3	<b>Amphenol FCI</b>	FINAL ASSEMBLY	dwg no	10121178	rev
0.XX	±0.10	www.fci.com	angular	0°	±2°	cat. no.	-	Product - Customer Drw	sheet 3 of 4						
0.XXX	±0.050	4X28G QSFP+ (PASSIVE) ASSEMBLY		rel level	Released										

PRODUCT NUMBER	NOTES
10121178-XXXXLF	SEE SHT. 4

CABLE ASSEMBLY PART NUMBERS			
PART NUMBERS	AWG	DIMENSION "L"	NOTES
10121178-2005LF	30	0.5	
10121178-2006LF	30	0.6	
10121178-2007LF	30	0.7	
10121178-2008LF	30	0.8	
10121178-2009LF	30	0.9	
10121178-2010LF	30	1.0	
10121178-2015LF	30	1.5	
10121178-2020LF	30	2.0	
10121178-2025LF	30	2.5	
10121178-2030LF	30	3.0	
10121178-4005LF	26	0.5	
10121178-4010LF	26	1.0	
10121178-4015LF	26	1.5	
10121178-4020LF	26	2.0	
10121178-4025LF	26	2.5	
10121178-4030LF	26	3.0	
10121178-403ALF	26	3.25	
10121178-4035LF	26	3.5	
10121178-4040LF	26	4.0	
10121178-4045LF	26	4.5	
10121178-4050LF	26	5.0	

NOTES:

- ① - MATERIAL:  
 CASTINGS: ZINC ALLOY/ COPPER UNDERPLATE/ NICKEL OVERPLATE  
 PULL TAB: THERMOPLASTIC POLYMER  
 LATCH RELEASE: ZINC DIECAST, NICKEL OVERPLATE  
 DRIVE SCREWS: STAINLESS STEEL  
 STRAIN RELIEF COLLAR: BRASS  
 SPRING: STAINLESS STEEL  
 PADDLE CARD: PRINTED CIRCUIT SUBSTRATE
- 2 - THIS PRODUCT MEETS THE RESTRICTION OF HAZARDOUS SUBSTANCES IN ELECTRICAL AND ELECTRONIC EQUIPMENT (RoHS) DIRECTIVE (2011/65/EU)
- ③ - THIS DIMENSION IS A FINISHED PRODUCT LENGTH.
- ④ - UNLESS OTHERWISE SPECIFIED ASSEMBLED LENGTH TOLERANCE IS TO BE:  
 "DIM L" < 1 METER = ± 25mm  
 "DIM L" = 1 METER TO 10 METERS = ± 2% OF "DIM L"  
 "DIM L" > 10 METERS = +0.00 / -4% OF "DIM L"
- ⑤ - UNLESS OTHERWISE SPECIFIED LABEL POSITION IS TO BE 50mm FROM REAR OF CONNECTOR.  
 LABEL DETAILS:

MANUFACTURER CODE AND NAME    COUNTRY ORIGIN  
 CUSTOMER P/N OR FCI P/N  
 REVISION  
 FCI SERIAL NUMBER  
 BAR CODE OF SERIAL NUMBER



CHINA YYWW CNI330QV052L0001

PRESENT PRODUCT BASE NUMBER(USE "QV")    FCI SERIAL NUMBER (0001-9999)  
 LENGTH(05 IS 0.5METER)    L IS NON-HALOGEN FREE TYPE  
 CABLE AWG(2 IS 30 AWG, 3 IS 28 AWG, 4 IS 26AWG)

FONT SHALL BE CLEARLY VISIBLE AND BLACK IN COLOR.

- 6 - ALL CABLE ASSEMBLIES SHALL BE 100% TESTED FOR CONTINUITY AS DEFINED IN WIRING LIST.
- 7 - IMPEDANCE: 100Ω DIFFERENTIAL.
- ⑧ - OTHER TESTING PERFORMED AS REQUIRED BY LATEST PRODUCT SPECIFICATION: GS-12-622.
- 9 - PACKAGING OF LEAD FREE PRODUCTS MEETS LABELING AND PACKAGING PER SPECIFICATION GS-14-920. PACKAGE CABLE ASSEMBLIES PER GS-14-1272. DUST CAPS ARE TO BE ASSEMBLED PRIOR TO PACKAGING.
- 10. A "△" SYMBOL WILL BE NEXT TO ANY DIMENSION, VIEW, OR NOTE WHICH HAS BEEN MODIFIED WITH THE CURRENT DRAWING REVISION. THE CURRENT REVISION WILL BE SHOWN IN THE SYMBOL.
- 11. PRODUCT CAPABILITY MATRIX SHOWS THE MINIMUM RECOMMENDED CABLE GAUGE PER LENGTH TO MEET THE PERFORMANCE LEVEL OF EACH INDUSTRY STANDARD.

PRODUCT CAPABILITY MATRIX (SEE NOTE 11)					
INDUSTRY STANDARD	UNEQUALIZED CABLE LENGTH/AWG				
	1M	2M	3.0M	4M	5M
OIF CEI-25G-LR	30AWG	30AWG	30AWG	26AWG	26AWG
IEEE 802.3bj	30AWG	30AWG	30AWG	26AWG	26AWG

- 12. EEPROM INFORMATION REFERS TO THE LATEST FCI QSFP+ SPECIFICATION GS-12-622
- 13. RAW CBALE IS OPTIONAL WHICH HAD BEEN QUALIFIED BY FCI AND MEET INDUSTRIAL SPECIFICATION.
- 14. HALOGEN FREE RAW CBALE CAN BE USED AS A SUSBTITUE FOR NON-HALOGEN FREE RAW CABLE.

spec ref	dr	David Humbert	2012/06/21	projection	mm	size	A3	scale	1:1
tolerance std	eng	Shawn Xu	2017/01/19		← →	ecn no	ELX-N-25695-1	rel level	Released
TOLERANCES UNLESS OTHERWISE SPECIFIED									
surface	linear	0.X	±0.3	Amphenol FCI		dwg no	10121178	rev	J
		0.XX	±0.10	www.fci.com		FINAL ASSEMBLY			
		0.XXX	±0.050	cat. no.		4X28G QSFP+ (PASSIVE) ASSEMBLY			
	angular	0°	±2°	Product - Customer Drw		sheet 4 of 4			

Amphenol FCI

© 2016 AFCI