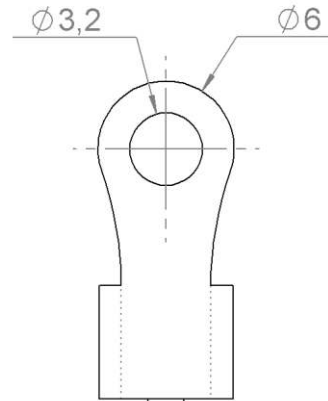
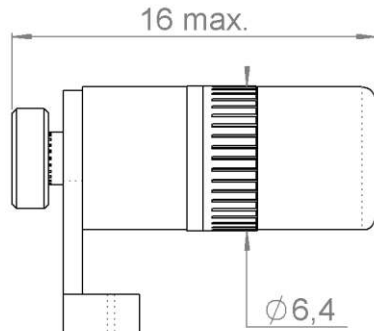
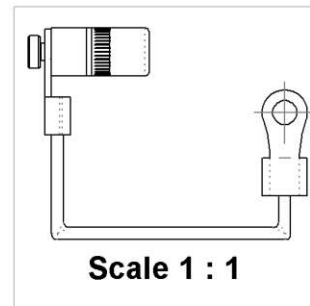
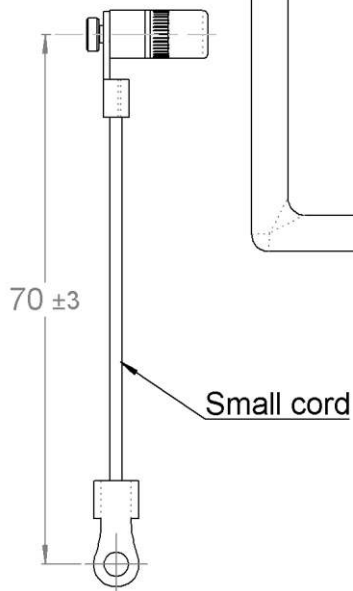


PAGE 1/2	ISSUE 23-08-18B	SERIES <b>TERMINATION</b>	PART NUMBER <b>R404155000</b>
----------	-----------------	------------------------------	-------------------------------

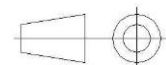
**Scale 3 : 1**



**Scale 1 : 1**



All dimensions are in mm. Tolerances according ISO 2768 m-H



COMPONENTS	MATERIALS	PLATING (µm)
Body	<b>ARCAP AP1D</b>	
Center contact	<b>BERYLLIUM COPPER</b>	<b>GOLD 2.5 OVER NICKEL 2</b>
Outer contact	<b>BERYLLIUM COPPER</b>	<b>GOLD 0.5 OVER NICKEL 2</b>
Insulator	<b>PTFE</b>	
Gasket	<b>SILICONE RUBBER</b>	
Substrate		
Resistor		
Others parts		

PAGE 2/2	ISSUE <b>23-08-18B</b>	SERIES <b>TERMINATION</b>	PART NUMBER <b>R404155000</b>
----------	------------------------	------------------------------	-------------------------------

### ELECTRICAL CHARACTERISTICS

Frequency (GHz)	<b>DC -2</b>	<b>2 - 4</b>	<b>4 - 8</b>
V.S.W.R ( $\leq$ )	<b>1.10</b>	<b>1.20</b>	<b>1.25</b>

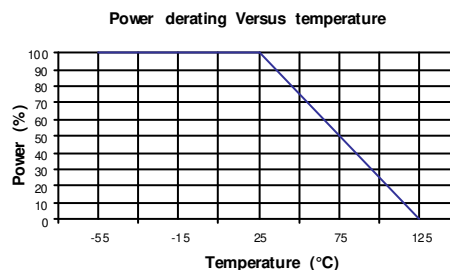
Operating Frequency Range		GHz
Impedance	<b>50</b>	$\Omega$
DC Resistance	<b>50</b>	$\Omega \pm 5\%$
Peak power at 25°C (1 $\mu$ s, 1%)	<b>100</b>	W
Average power at 25°C	<b>0.5</b>	W (Free Air Cooled)
		W (Conduction Cooled)

### MECHANICAL CHARACTERISTICS

Connectors	<b>SMB</b>	<b>Female</b>	<b>MIL C 39012</b>
Weight	<b>3,800</b> g		

### ENVIRONMENTAL CHARACTERISTICS

Operating temperature range	<b>-55/+125</b>	$^{\circ}\text{C}$
Storage temperature range	<b>-55/+125</b>	$^{\circ}\text{C}$



### SPECIFICATION

### OTHER CHARACTERISTICS