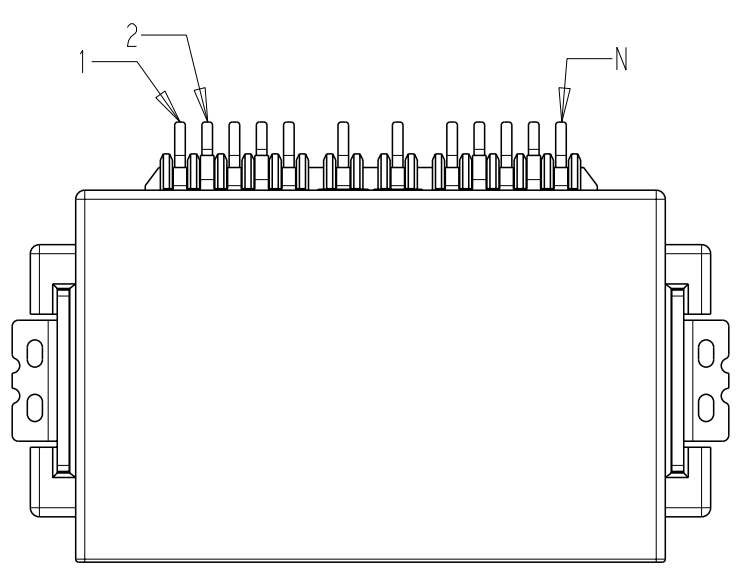
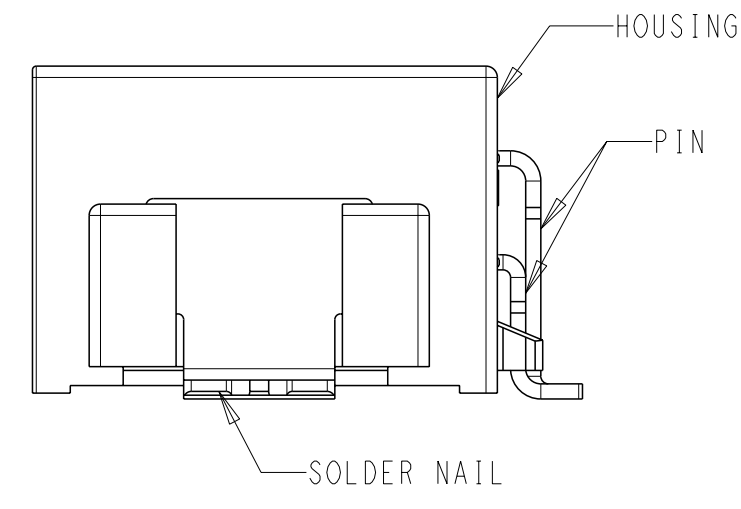
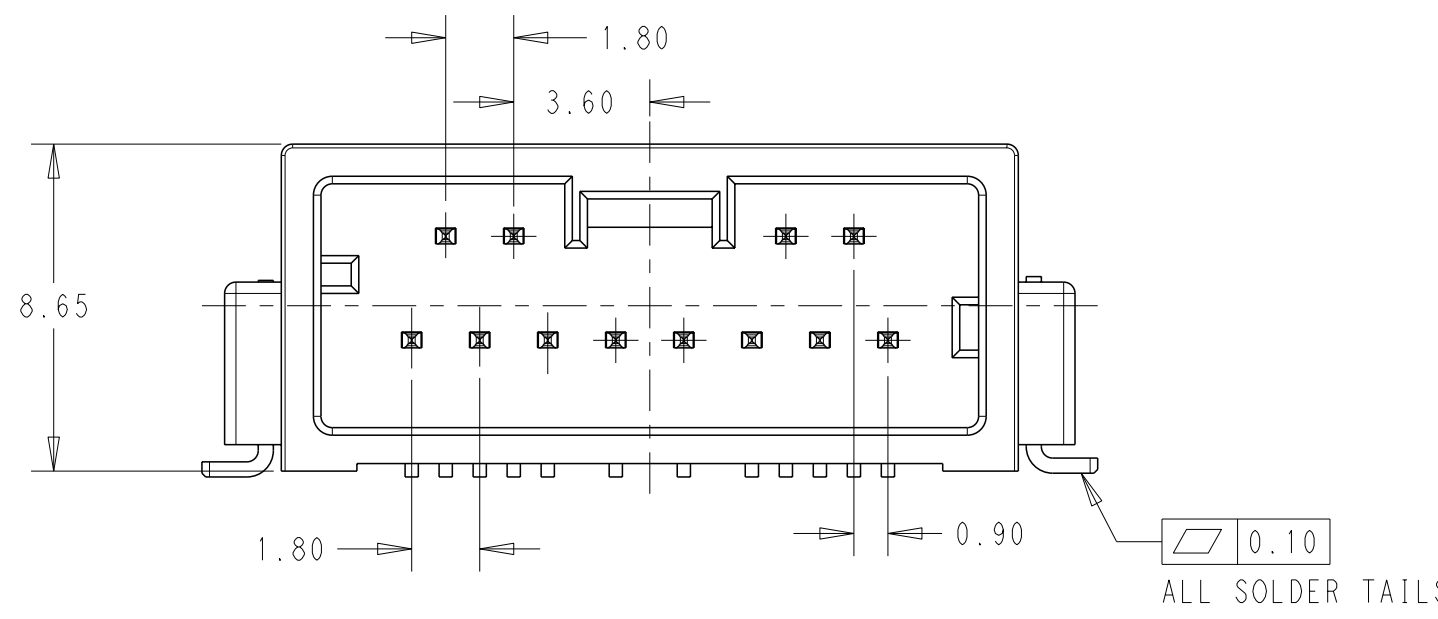
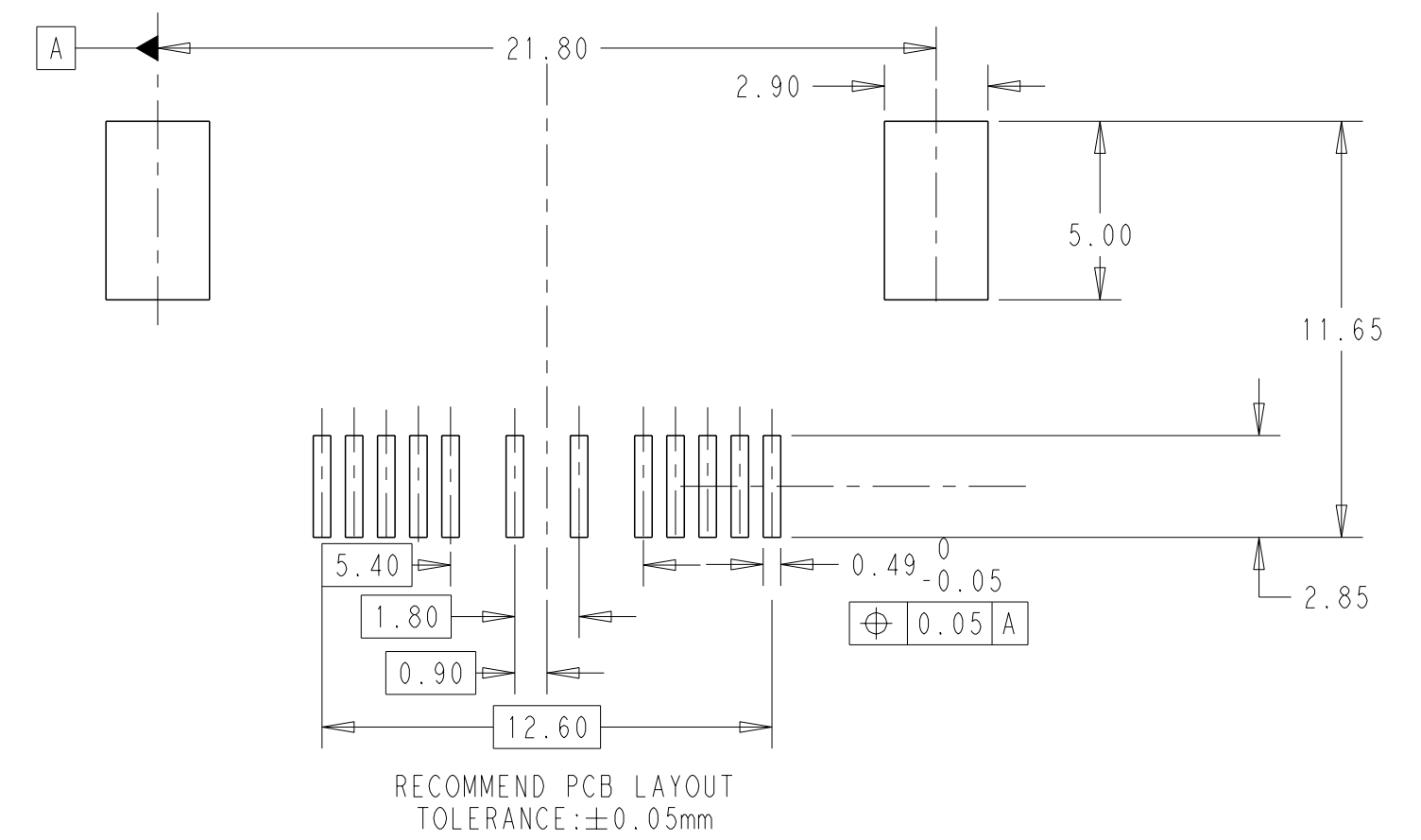
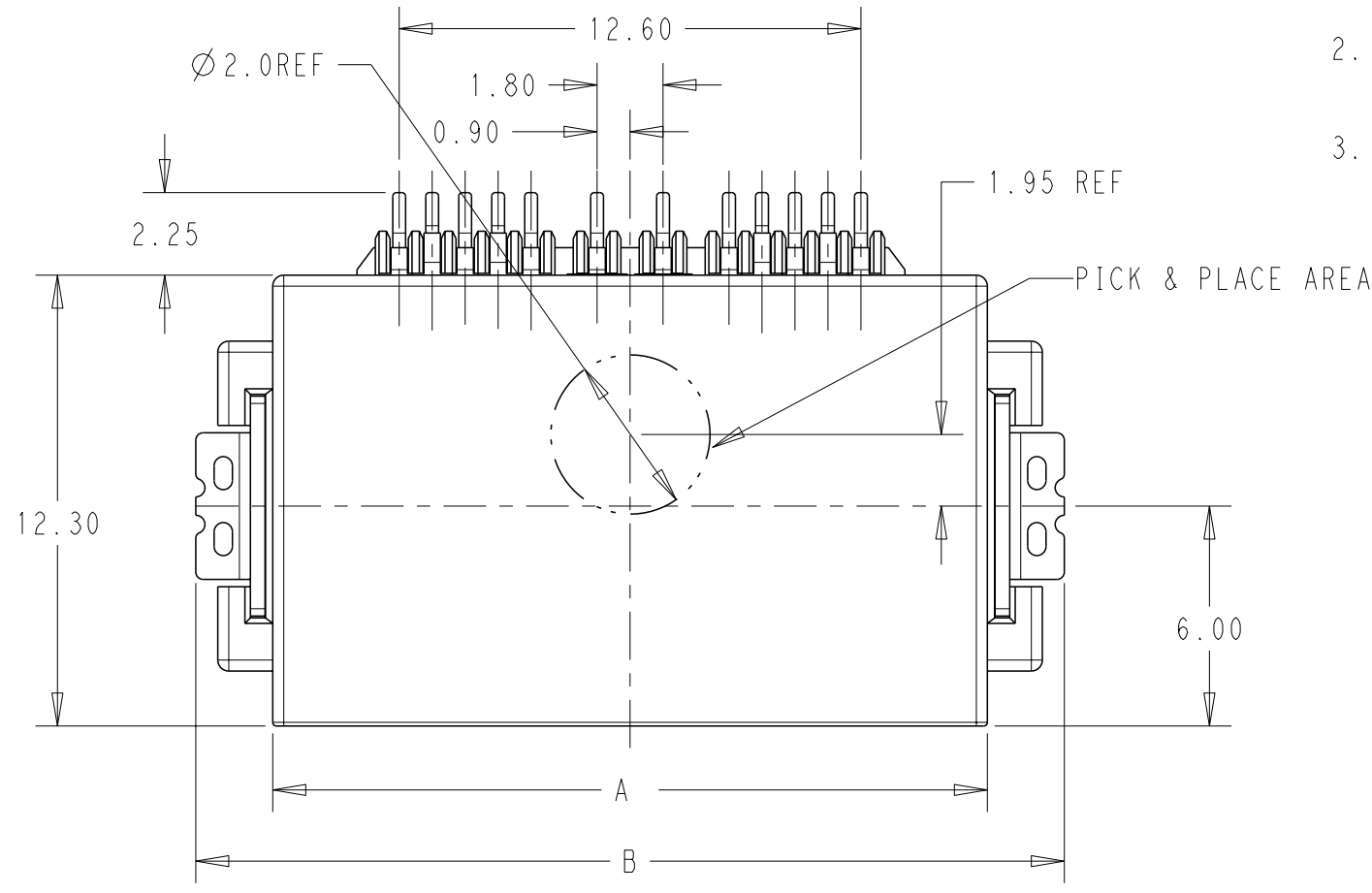


THIS DRAWING IS UNPUBLISHED. RELEASED FOR PUBLICATION 20
 © COPYRIGHT 20 BY - ALL RIGHTS RESERVED.

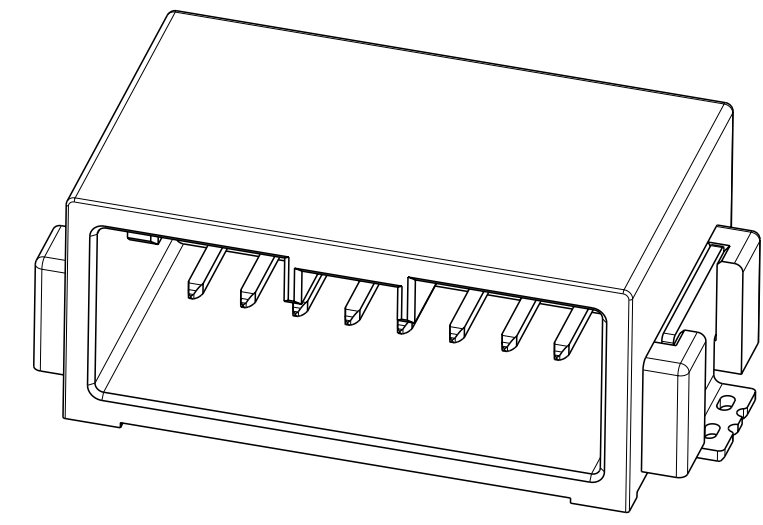
REVISIONS				
P	LTR	DESCRIPTION	DATE	APVD
A		ECR-21-123282	07DEC2021	F.F M.S
B		ECR-22-131698	08MAR2022	F.F M.S

NOTES :

- MATERIAL:
 HOUSING: HIGH TEMPERATURE THERMO PLASTIC, COLOR BLACK.
 PIN: COPPER ALLOY.
 SOLDER NAIL: BRASS.
- FINISH:
 PIN: TIN PLATING OVER NICKEL PLATING OVERALL.
 SOLDER NAIL: TIN PLATING OVER NICKEL PLATING OVERALL.
- PACKAGED IN TAPE AND REEL INSIDE OF CARTON.



PIN DEFINITION AS SHOWN,
 N MEANS MAX POSITIONS:
 FOR EXAMPLE: N=12, PN IS 1-2834465-2



AS SHOWN: 1-2834465-2

52.50	48.30	44	4-2834499-4	4-2834465-4
48.90	44.70	40	4-2834499-0	4-2834465-0
45.30	41.10	36	3-2834499-6	3-2834465-6
41.70	37.50	32	3-2834499-2	3-2834465-2
38.10	33.90	28	2-2834499-8	2-2834465-8
34.50	30.30	24	2-2834499-4	2-2834465-4
30.90	26.70	20	2-2834499-0	2-2834465-0
27.30	23.10	16	1-2834499-6	1-2834465-6
23.70	19.50	12	1-2834499-2	1-2834465-2
DIMENSION B	DIMENSION A	POSITION	PN (Y KEY)	PN (X KEY)

THIS DRAWING IS A CONTROLLED DOCUMENT.

DWN: FRANK FAN 01MAR2021
 CHK: GEORGE FU 01MAR2021
 APVD: MING SHI 01MAR2021

TE Connectivity

NAME: MINIDYNAMIC HEADER
 1.8 MM PITCH SMT TYPE

PRODUCT SPEC: 108-137443
 APPLICATION SPEC: -

MATERIAL: -
 DIMENSIONS: mm
 TOLERANCES UNLESS OTHERWISE SPECIFIED:
 0 PLC ±
 1 PLC ±
 2 PLC ±0.25
 3 PLC ±
 4 PLC ±
 ANGLES ±
 FINISH -

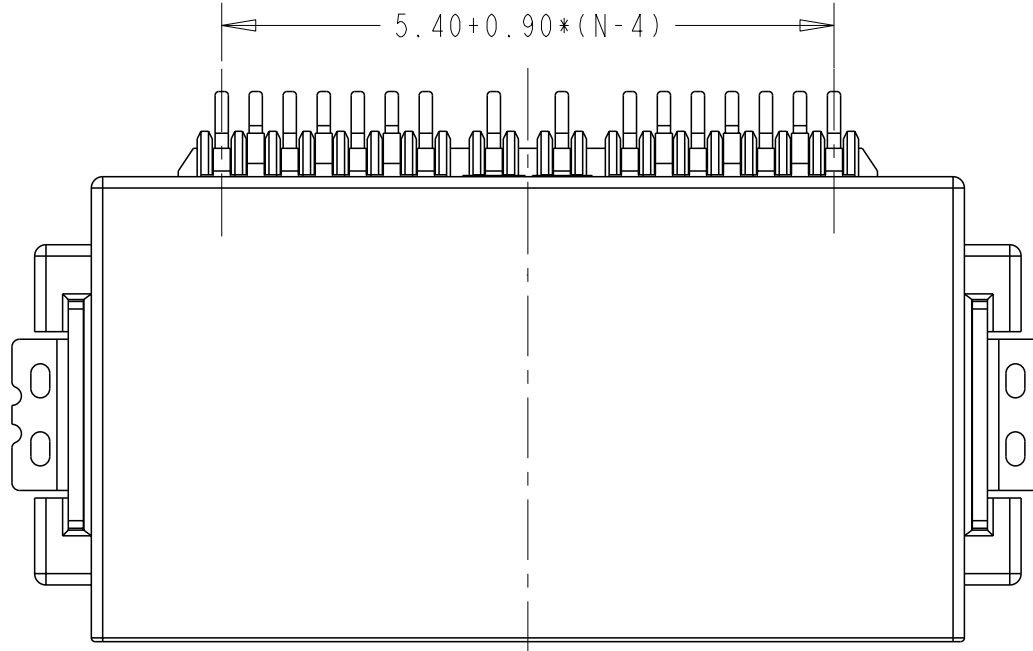
WEIGHT: -
 CUSTOMER DRAWING

SCALE: 4:1
 SHEET: 1 OF 4
 REV: B

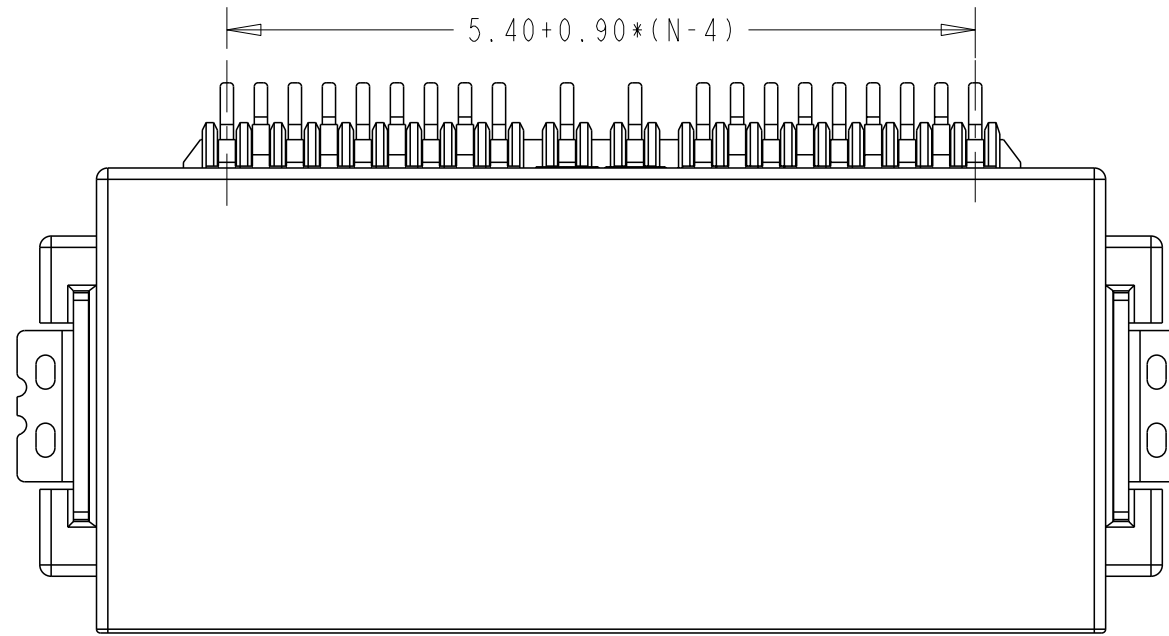
Printed on 8 Mar 2022 11:54 (China Standard Time) from TE310617

THIS DRAWING IS UNPUBLISHED. RELEASED FOR PUBLICATION 20
 © COPYRIGHT 20 BY - ALL RIGHTS RESERVED.

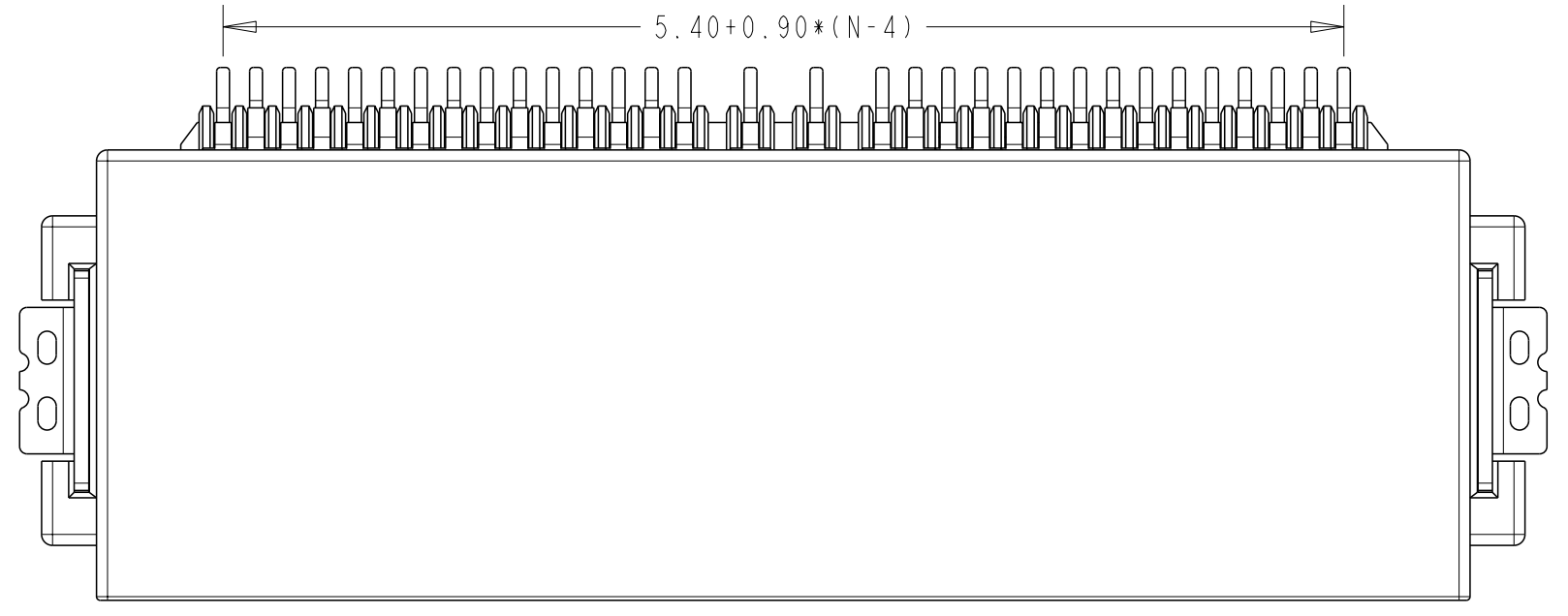
REVISIONS				
P	LTR	DESCRIPTION	DATE	APVD
		SEE SHEET 1		



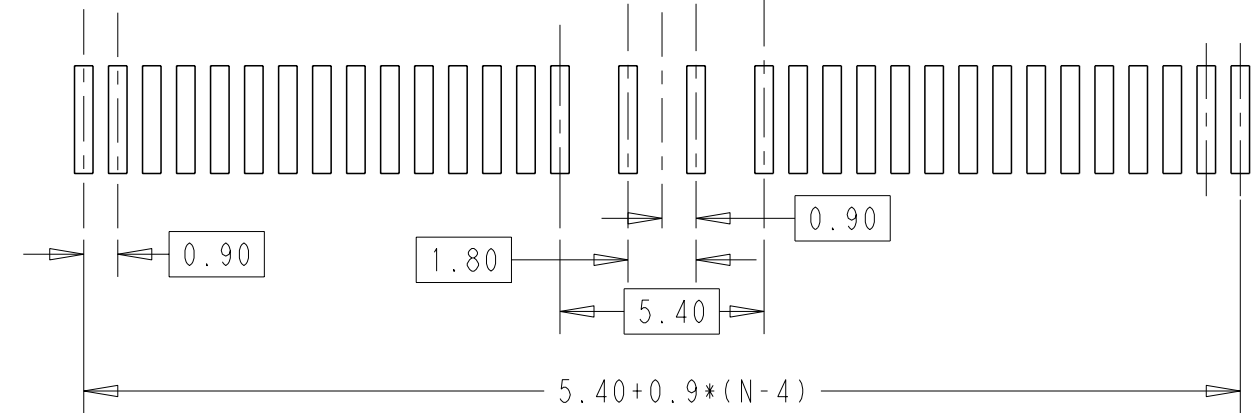
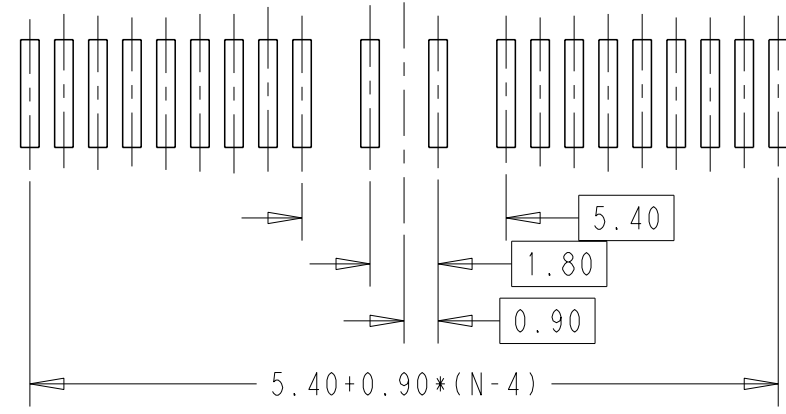
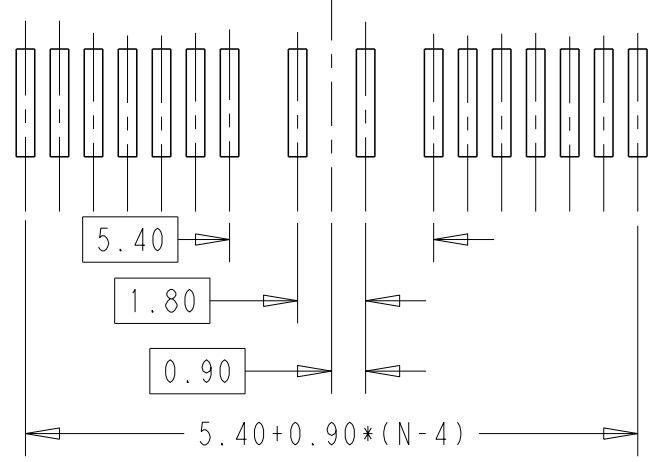
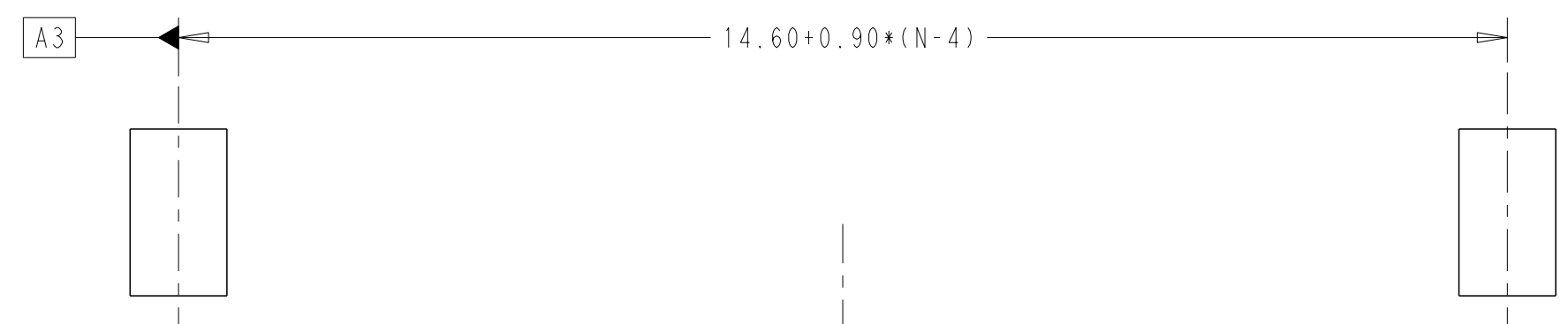
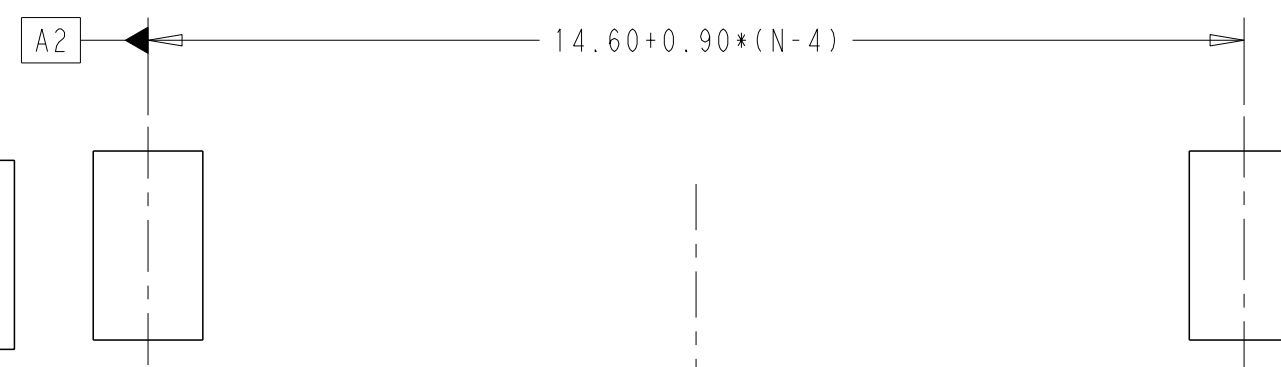
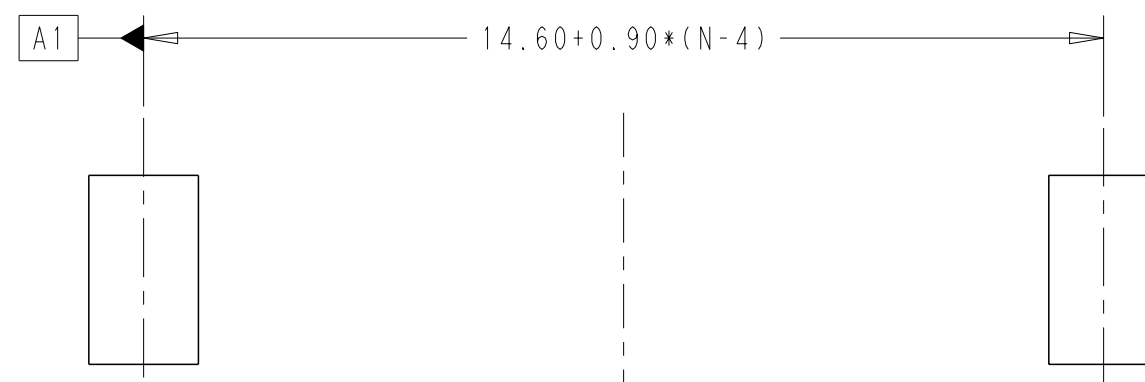
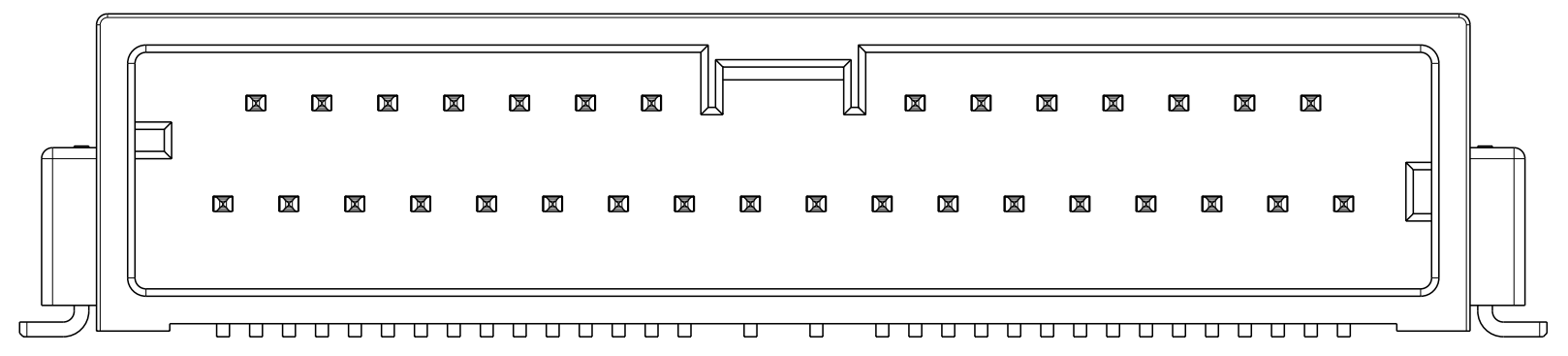
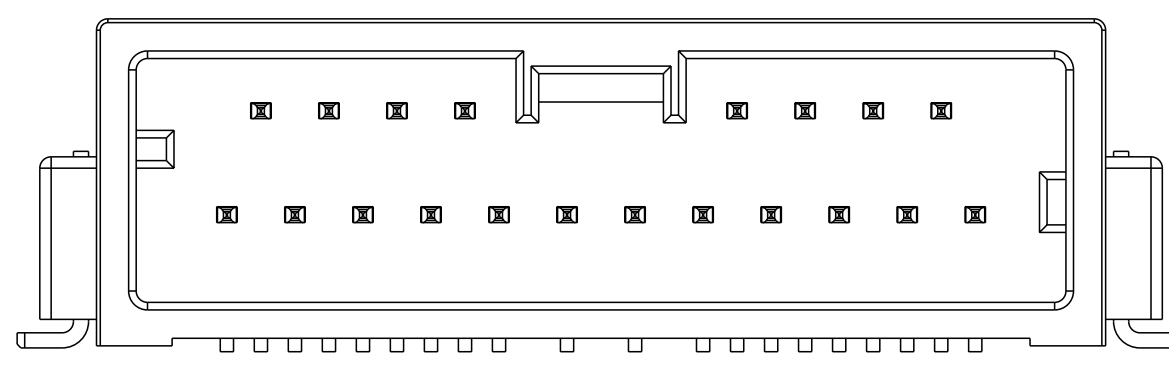
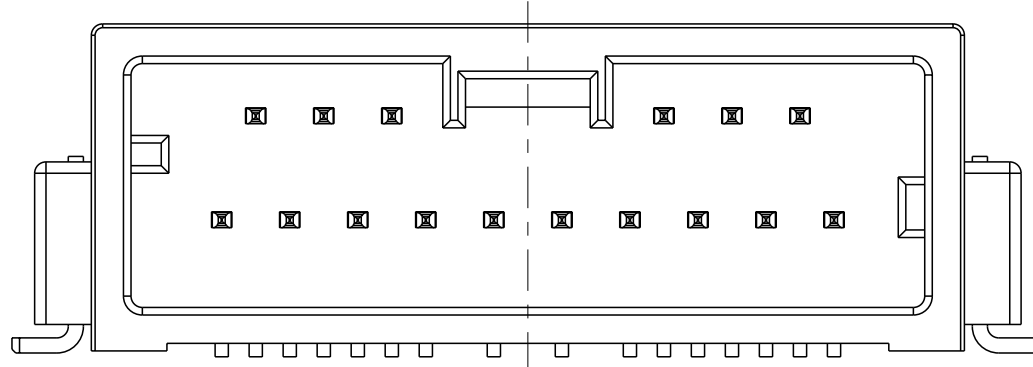
1-2834465-6



2-2834465-0



3-2834465-2

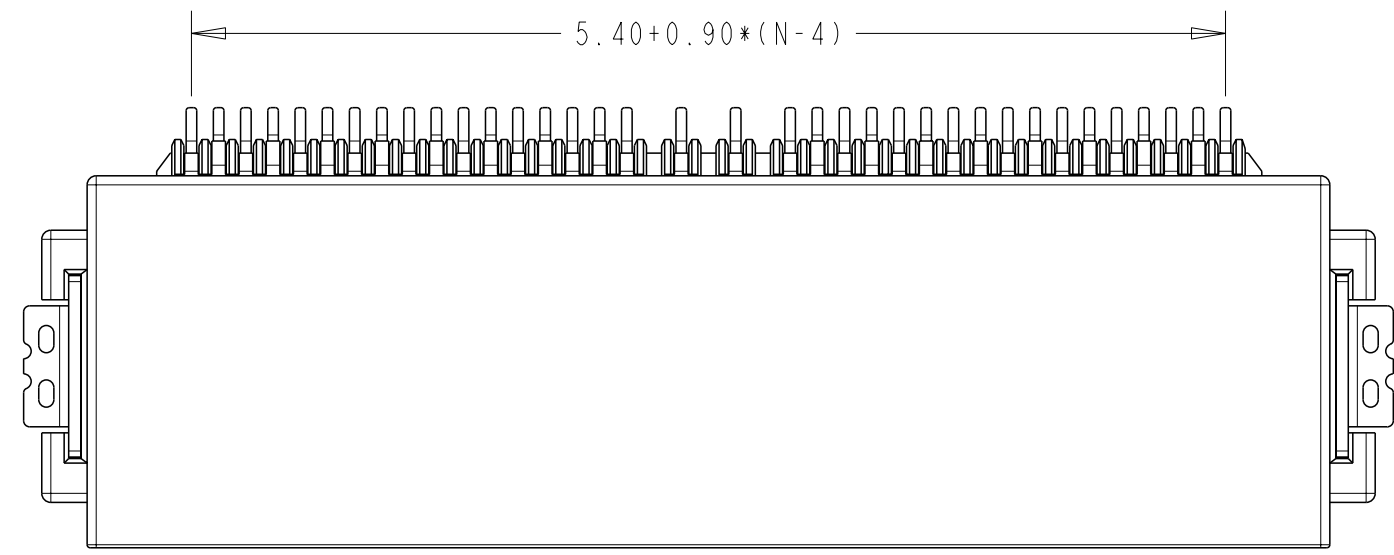


THIS DRAWING IS A CONTROLLED DOCUMENT.		DWN 01MAR2021 FRANK FAN	STE TE Connectivity	
DIMENSIONS: mm		CHK 01MAR2021 GEORGE FU		
TOLERANCES UNLESS OTHERWISE SPECIFIED:		APVD 01MAR2021 MING SHI	NAME MINIDYNAMIC HEADER 1.8 MM PITCH SMT TYPE	
0 PLC ±		PRODUCT SPEC 108-137443	SIZE A2	
1 PLC ±		APPLICATION SPEC	CAGE CODE -	
2 PLC ±0.25		WEIGHT	DRAWING NO C-2834465	
3 PLC ±		CUSTOMER DRAWING	RESTRICTED TO -	
4 PLC ±		SCALE 4:1	SHEET 2 OF 4	
ANGLES ±			REV B	
FINISH				

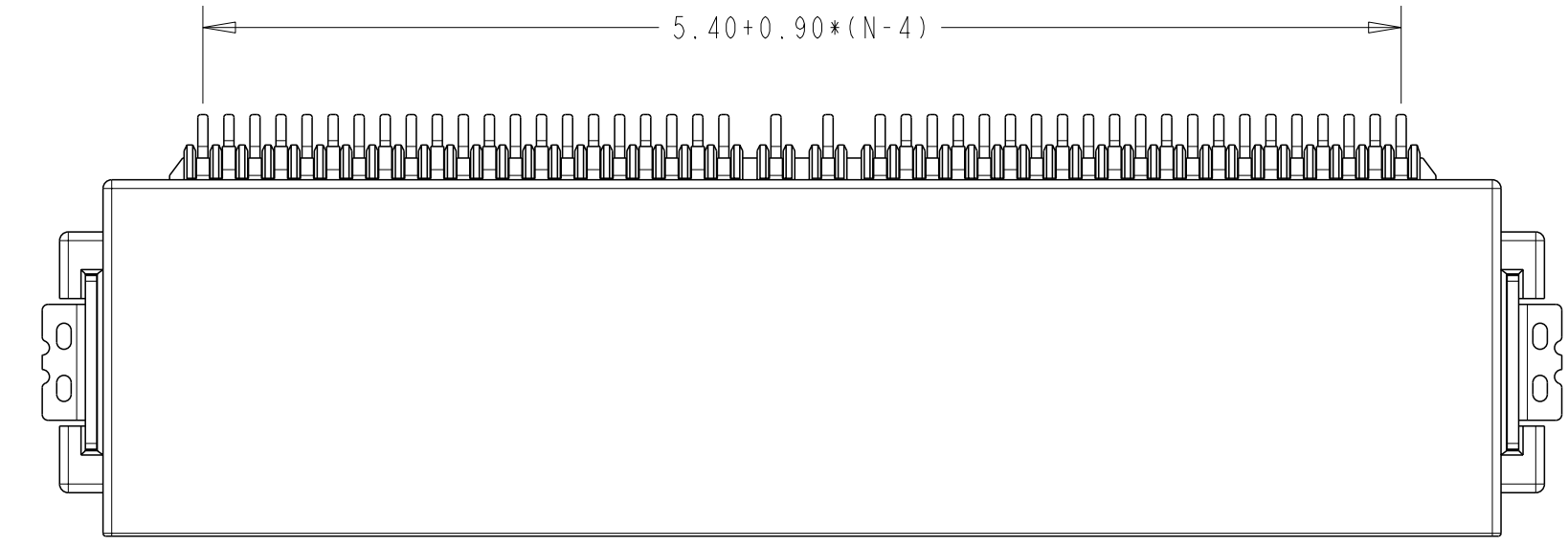
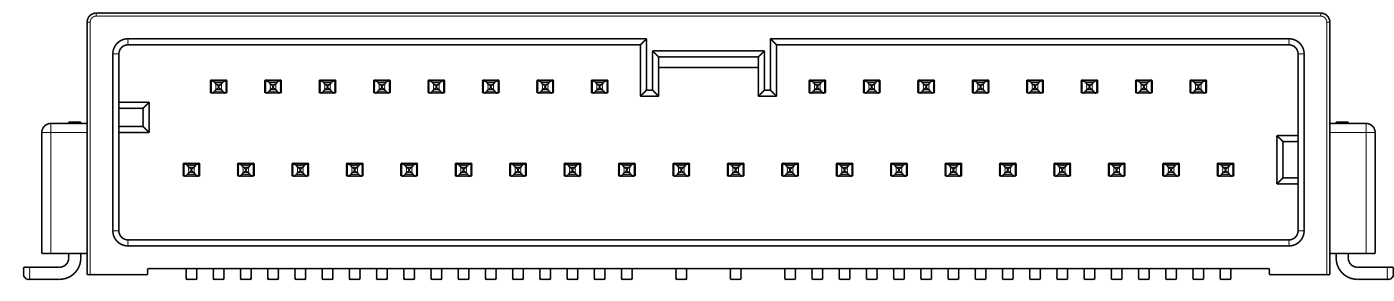
Printed on 8 Mar 2022 11:54 (China Standard Time) from TE310617

THIS DRAWING IS UNPUBLISHED. RELEASED FOR PUBLICATION 20
 © COPYRIGHT 20 BY - ALL RIGHTS RESERVED.

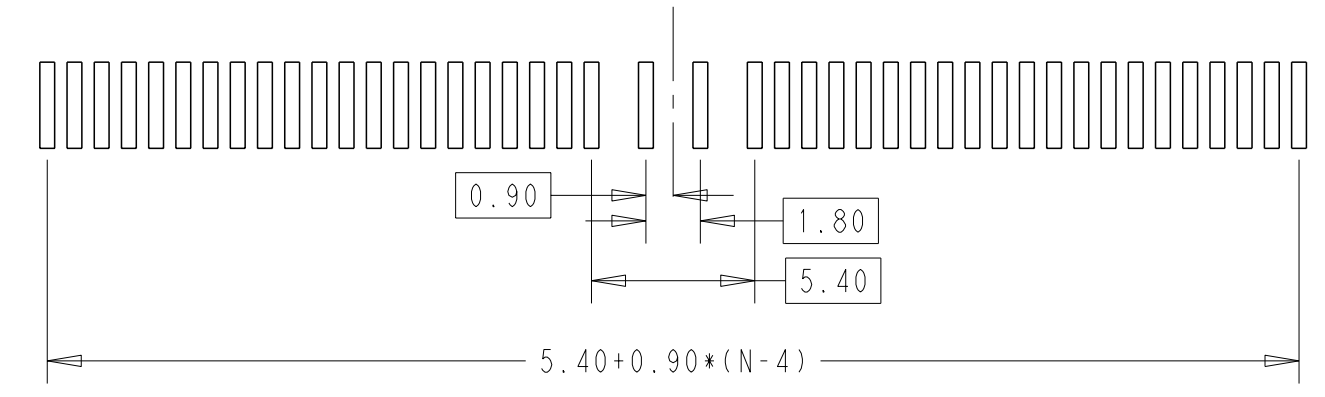
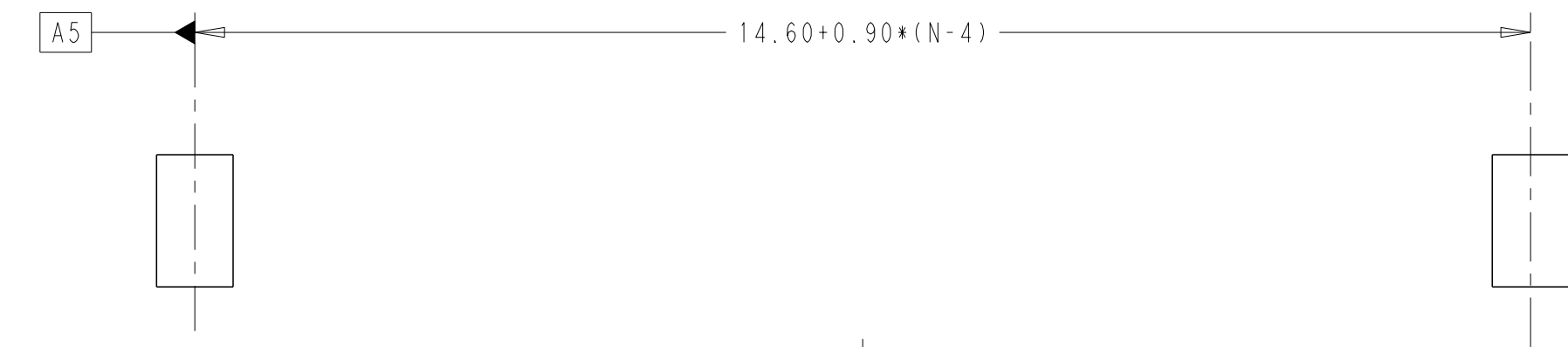
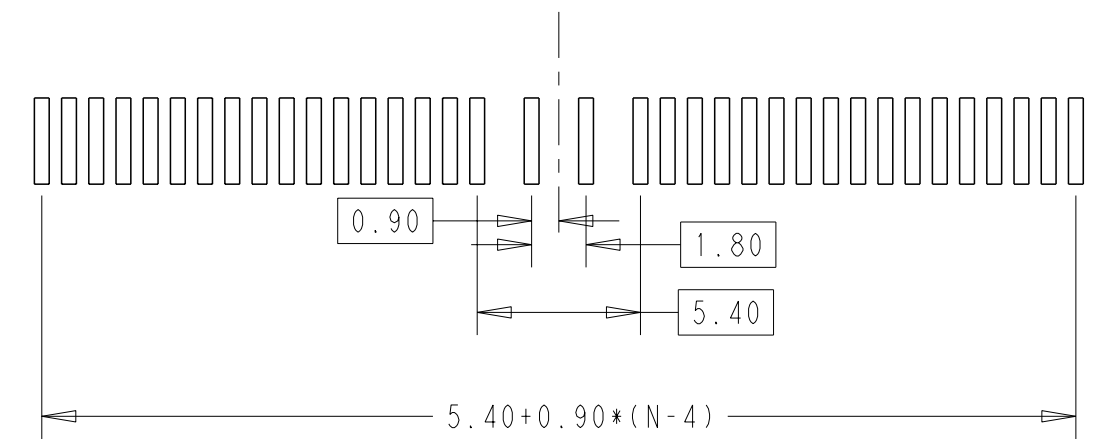
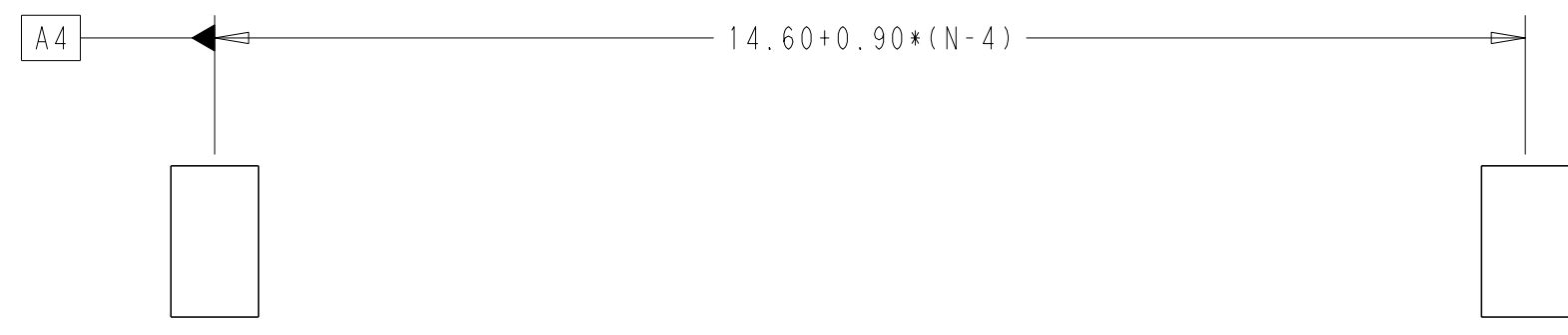
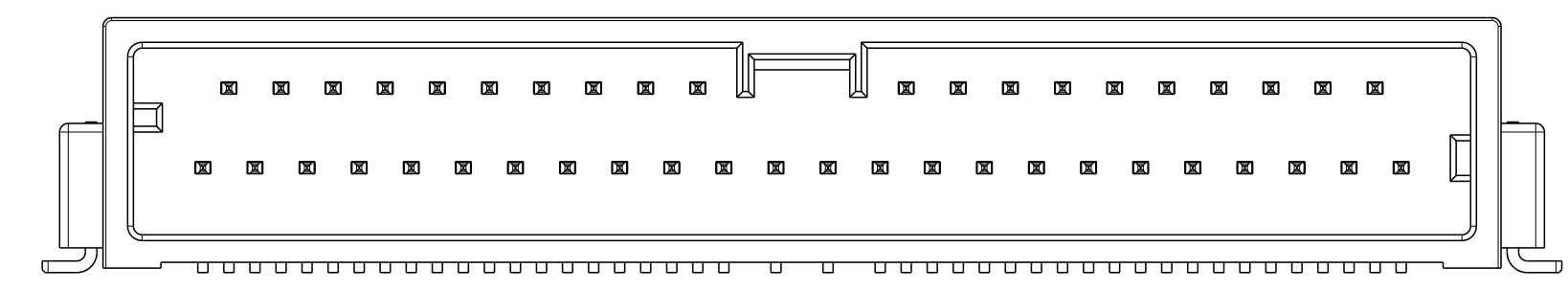
REVISIONS				
P	LTR	DESCRIPTION	DATE	APVD
		SEE SHEET 1		



3-2834465-6



4-2834465-4

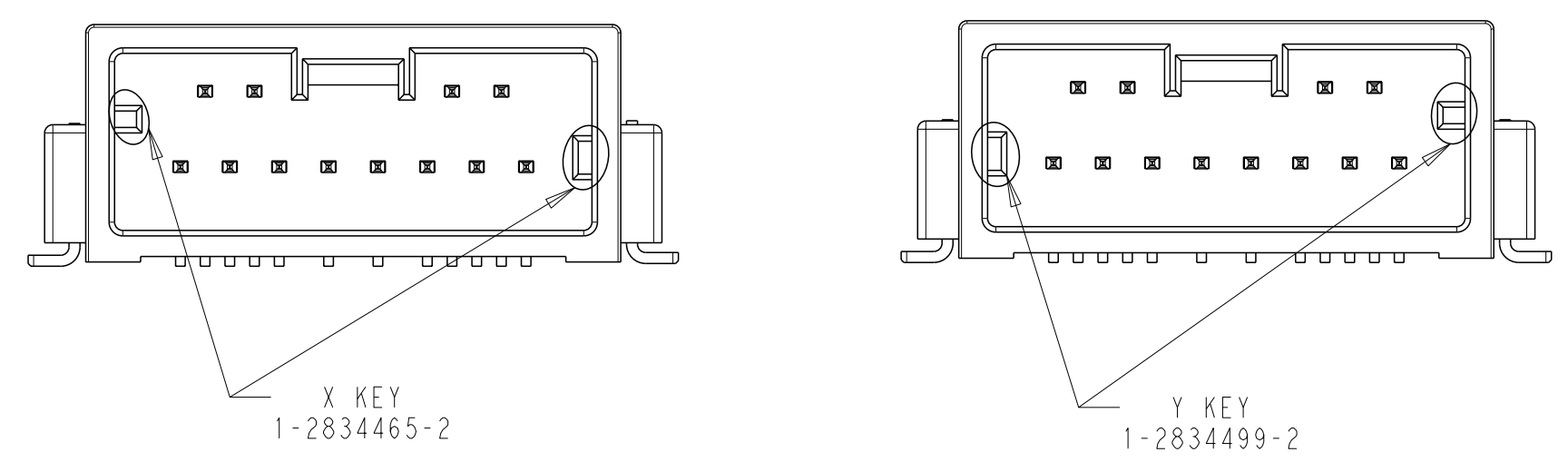


THIS DRAWING IS A CONTROLLED DOCUMENT.		DWN FRANK FAN 01MAR2021	STE TE Connectivity	
DIMENSIONS: mm		CHK GEORGE FU 01MAR2021		
TOLERANCES UNLESS OTHERWISE SPECIFIED:		APVD MING SHI 01MAR2021	NAME MINIDYNAMIC HEADER 1.8 MM PITCH SMT TYPE	
0 PLC ± 1 PLC ± 2 PLC ±0.25 3 PLC ± 4 PLC ±		PRODUCT SPEC 108-137443	SIZE A2	CAGE CODE -
MATERIAL -		FINISH -	DRAWING NO C-2834465	RESTRICTED TO -
		WEIGHT -	SCALE 4:1	SHEET 3 OF 4
		CUSTOMER DRAWING	REV B	

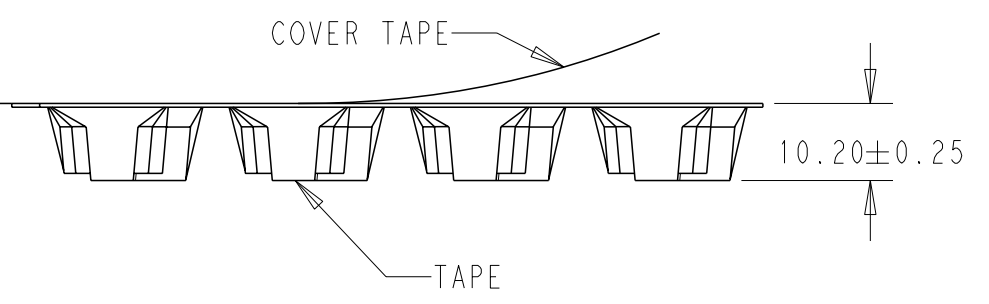
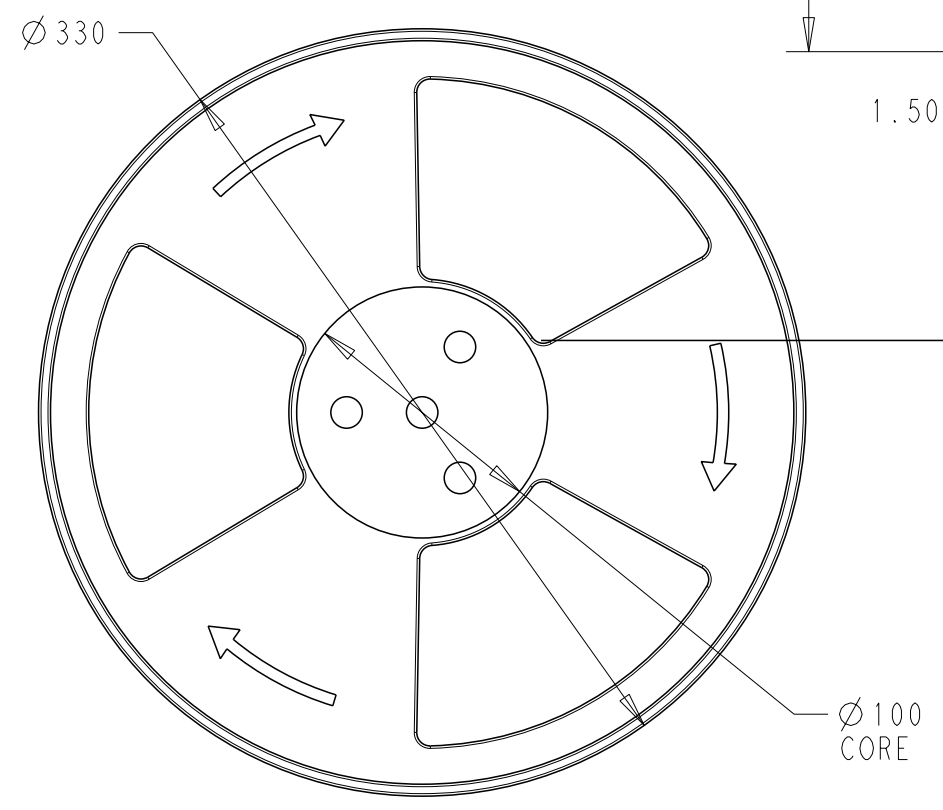
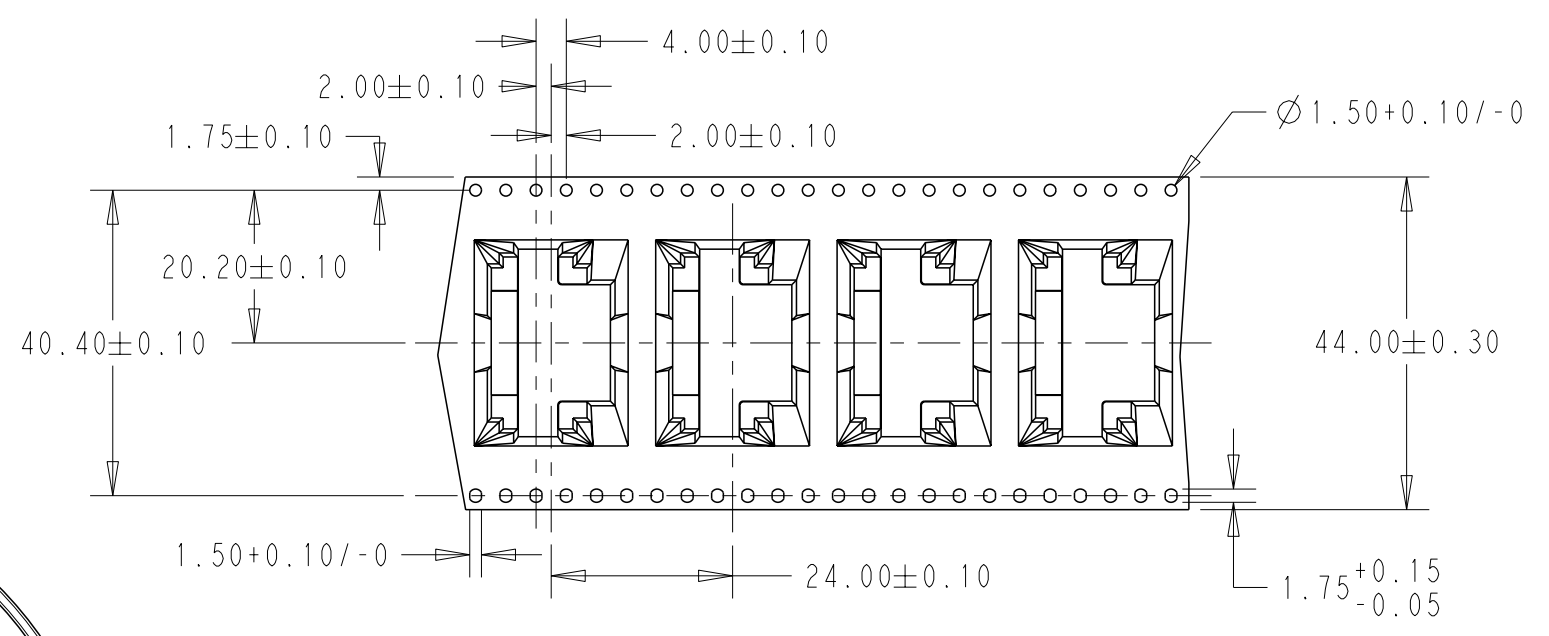
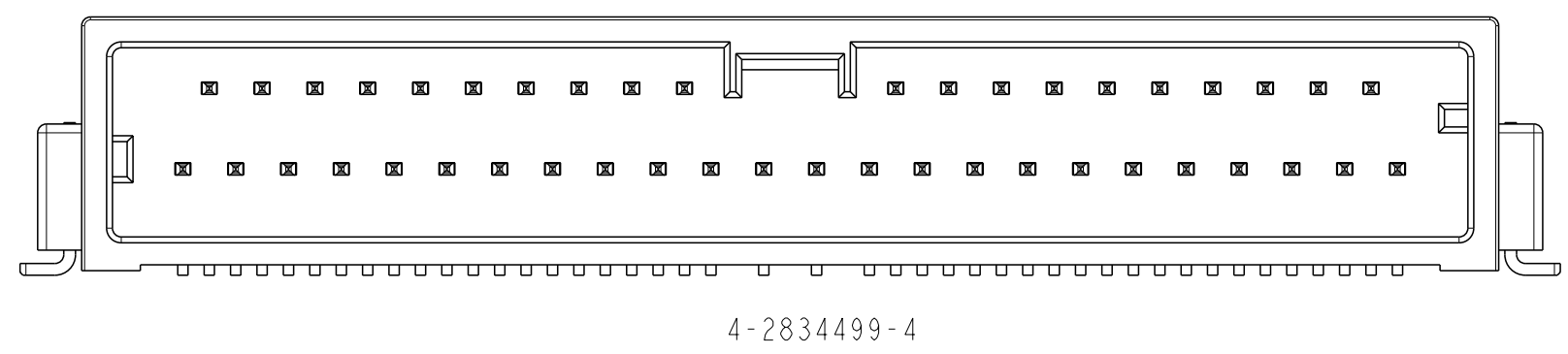
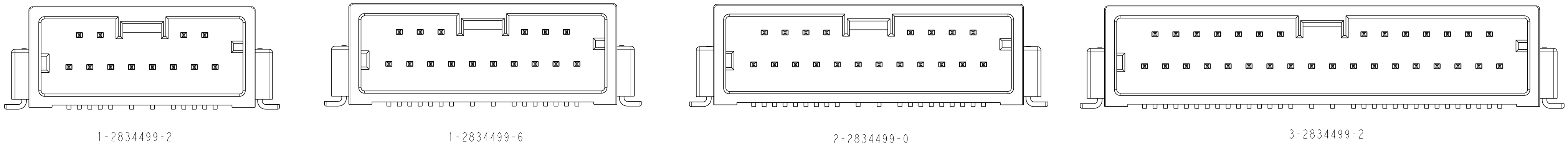
printed on 8 Mar 2022 11:54 (China Standard Time) from TE310617

THIS DRAWING IS UNPUBLISHED. RELEASED FOR PUBLICATION 20
 © COPYRIGHT 20 BY - ALL RIGHTS RESERVED.

REVISIONS				
P	LTR	DESCRIPTION	DATE	APVD
		SEE SHEET 1		



NOTES:
 1 PLEASE REFER DIMENSIONS AND REQUIREMENTS IN SHEET1 AND SHEET2.



44 MM WIDTH TAPE AS SHOWN

4-2834499-4	4-2834465-4	72	250	750
4-2834499-0	4-2834465-0	72	250	750
3-2834499-6	3-2834465-6	72	250	750
3-2834499-2	3-2834465-2	56	250	750
2-2834499-8	2-2834465-8	56	250	750
2-2834499-4	2-2834465-4	56	250	750
2-2834499-0	2-2834465-0	44	250	1000
1-2834499-6	1-2834465-6	44	250	1000
1-2834499-2	1-2834465-2	44	250	1000
PN (Y KEY)	PN (X KEY)	TAPE WIDTH (MM)	QUANTITY PER REEL /PCS	QUANTITY PER CARTON /PCS

THIS DRAWING IS A CONTROLLED DOCUMENT.		DWN FRANK FAN 01MAR2021	TE Connectivity	
DIMENSIONS: mm		CHK GEORGE FU 01MAR2021		
TOLERANCES UNLESS OTHERWISE SPECIFIED:		APVD MING SHI 01MAR2021	NAME MINIDYNAMIC HEADER 1.8 MM PITCH SMT TYPE	
0 PLC ±-		PRODUCT SPEC 108-137443	SIZE A2	
1 PLC ±-		APPLICATION SPEC -	CAGE CODE -	
2 PLC ±0.25		WEIGHT -	DRAWING NO C-2834465	
3 PLC ±-		CUSTOMER DRAWING	RESTRICTED TO -	
4 PLC ±-		SCALE 4:1	SHEET 4 OF 4	
ANGLES ±-			REV B	
FINISH -				

printed on 8 Mar 2022 11:54 (China Standard Time) from TE310617
 1471-9 (3/13)