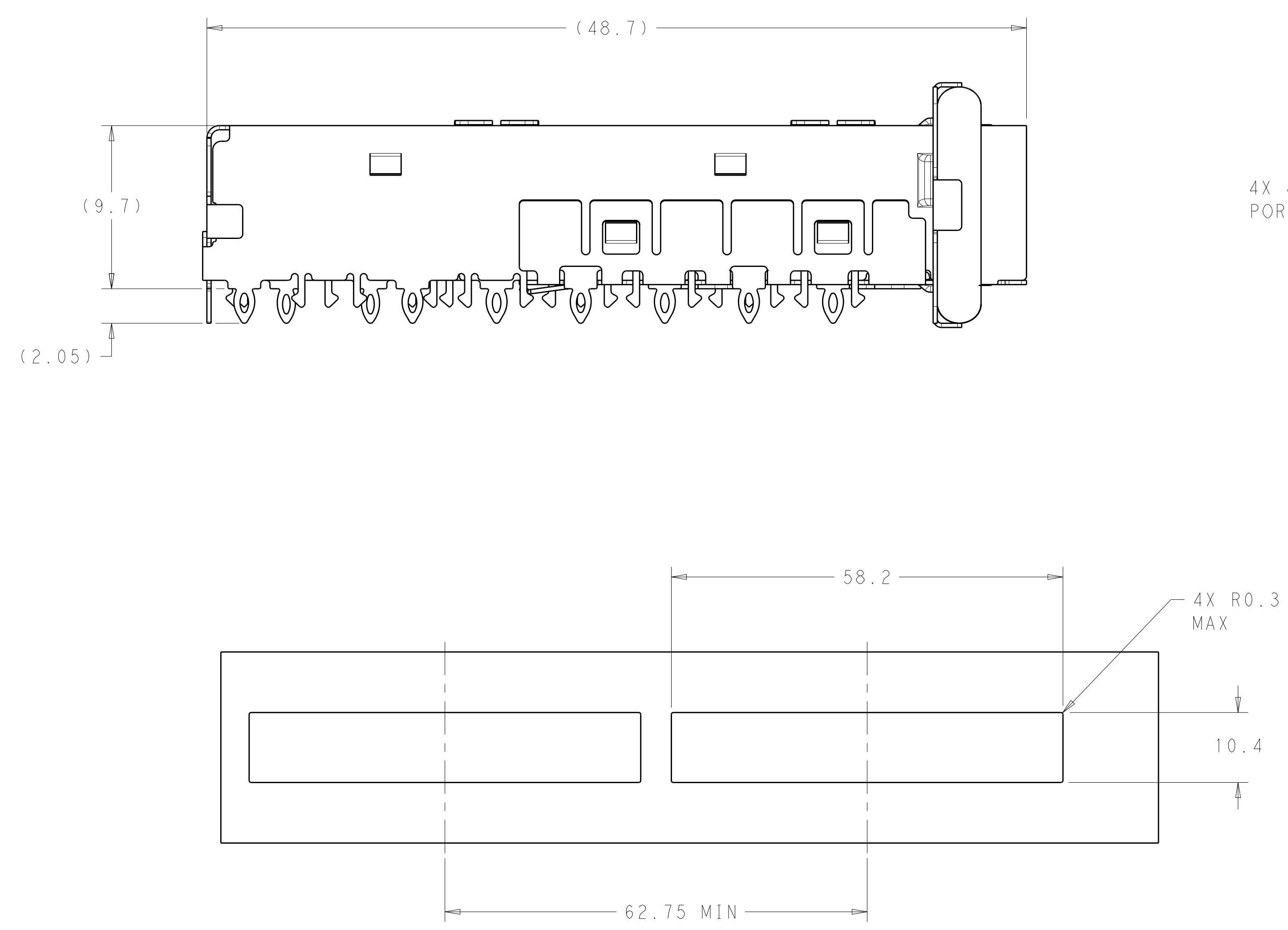
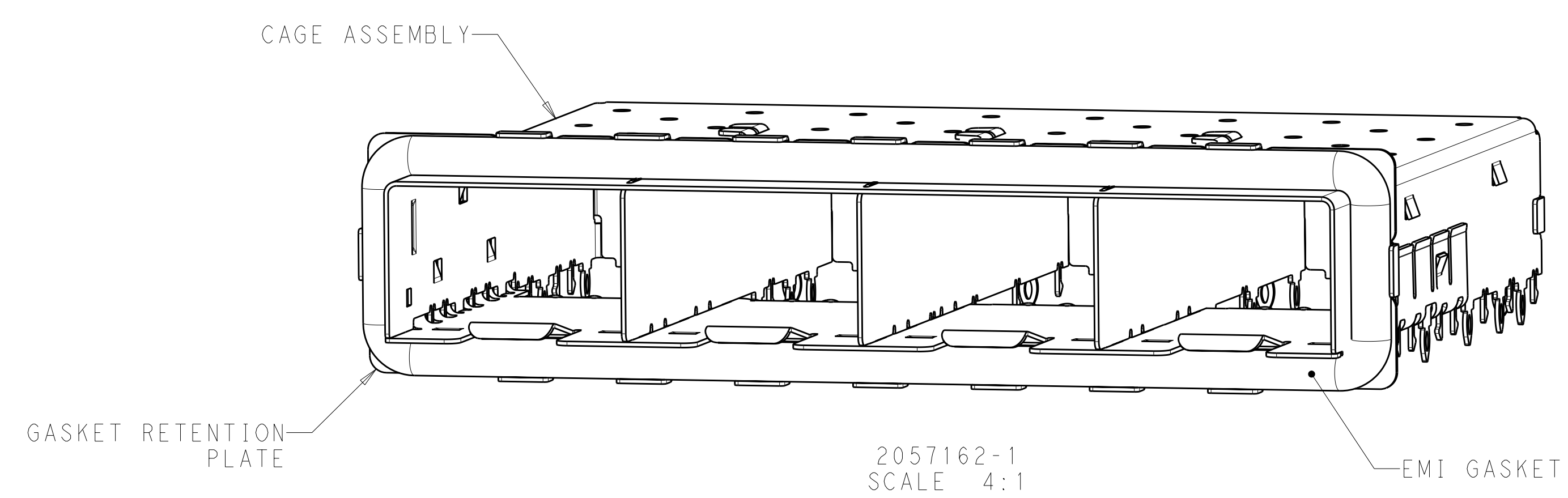
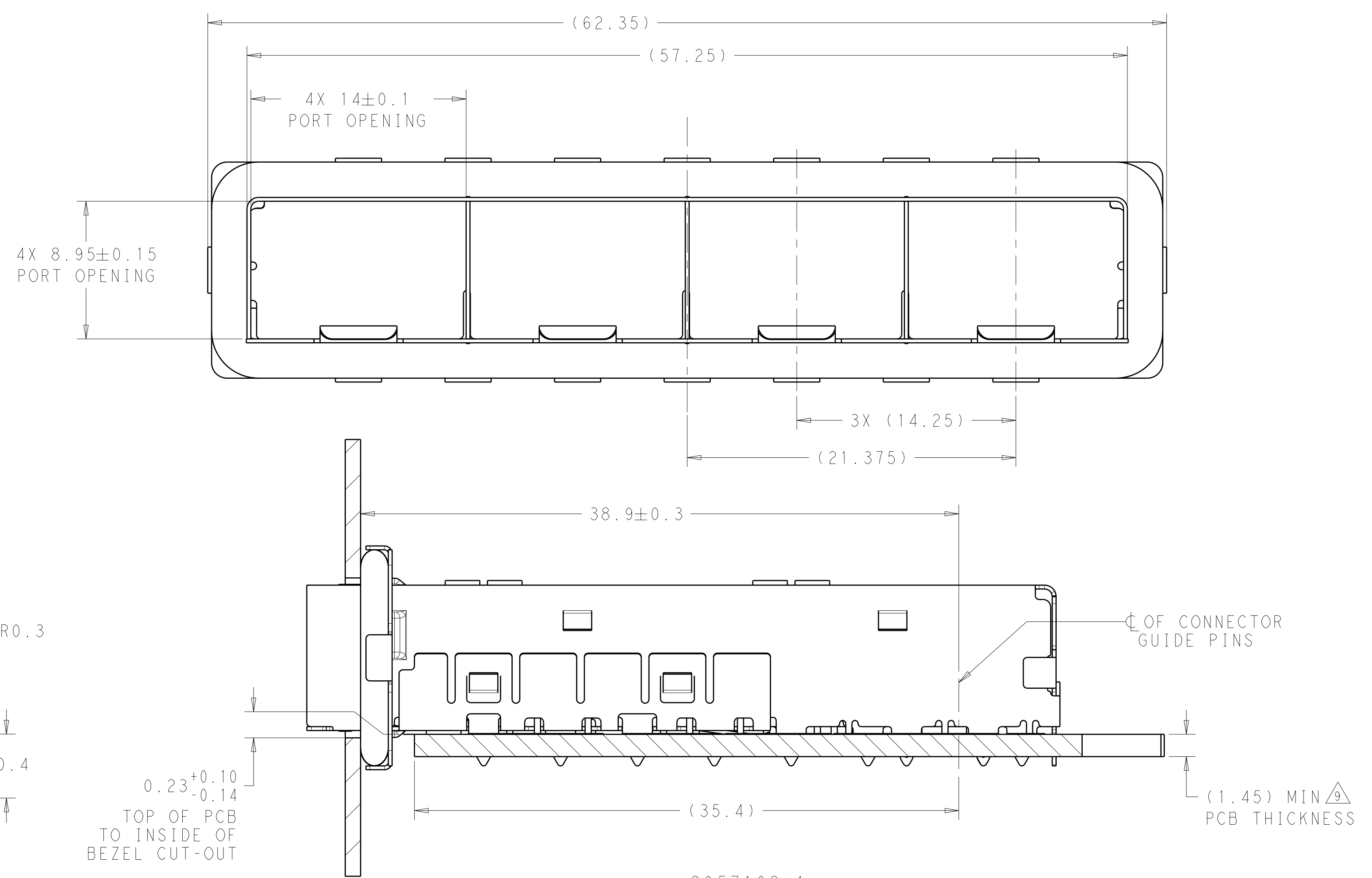


LOC		DIST		REVISIONS			
GP	00	P	LTR	DESCRIPTION	DATE	DWN	APVD
		A		RELEASED PER ECO-10-025263	21FEB2011	CJV	JTL

- 1 MATERIAL:
 CAGE ASSEMBLY: NICKEL SILVER ALLOY, 0.25mm THK.
 GASKET RETENTION PLATE: STAINLESS STEEL
 EMI GASKET: PLATED FILLED SILICONE
- 2 PADS AND VIAS CHASSIS GROUND.
- 3 DATUM AND BASIC DIMENSION ESTABLISHED BY CUSTOMER.
- 4 MATES WITH SFP MSA COMPLIANT TRANSCEIVERS.
- 5 INTERPRETATION OF DATUM REFERENCE FRAME IN ACCORDANCE WITH SECT 4.4.1.1 OF ASME Y14.5M-1994.
- 6 REFERENCE APPLICATION SPEC. 114-13120, HOLE A, FOR RECOMMENDED DRILL HOLE DIAMETER AND PLATING THICKNESS.
- 7 REFERENCE APPLICATION SPEC. 114-13120, HOLE B, FOR RECOMMENDED DRILL HOLE DIAMETER AND PLATING THICKNESS.
- 8 HOLE PATTERN REPEATS FOR EACH PORT. SPACING BETWEEN PORTS IS 14.25mm.
- 9 MINIMUM PC BOARD THICKNESS:
 SINGLE SIDED = 1.45mm



RECOMMENDED BEZEL CUT-OUT
SCALE 2:1

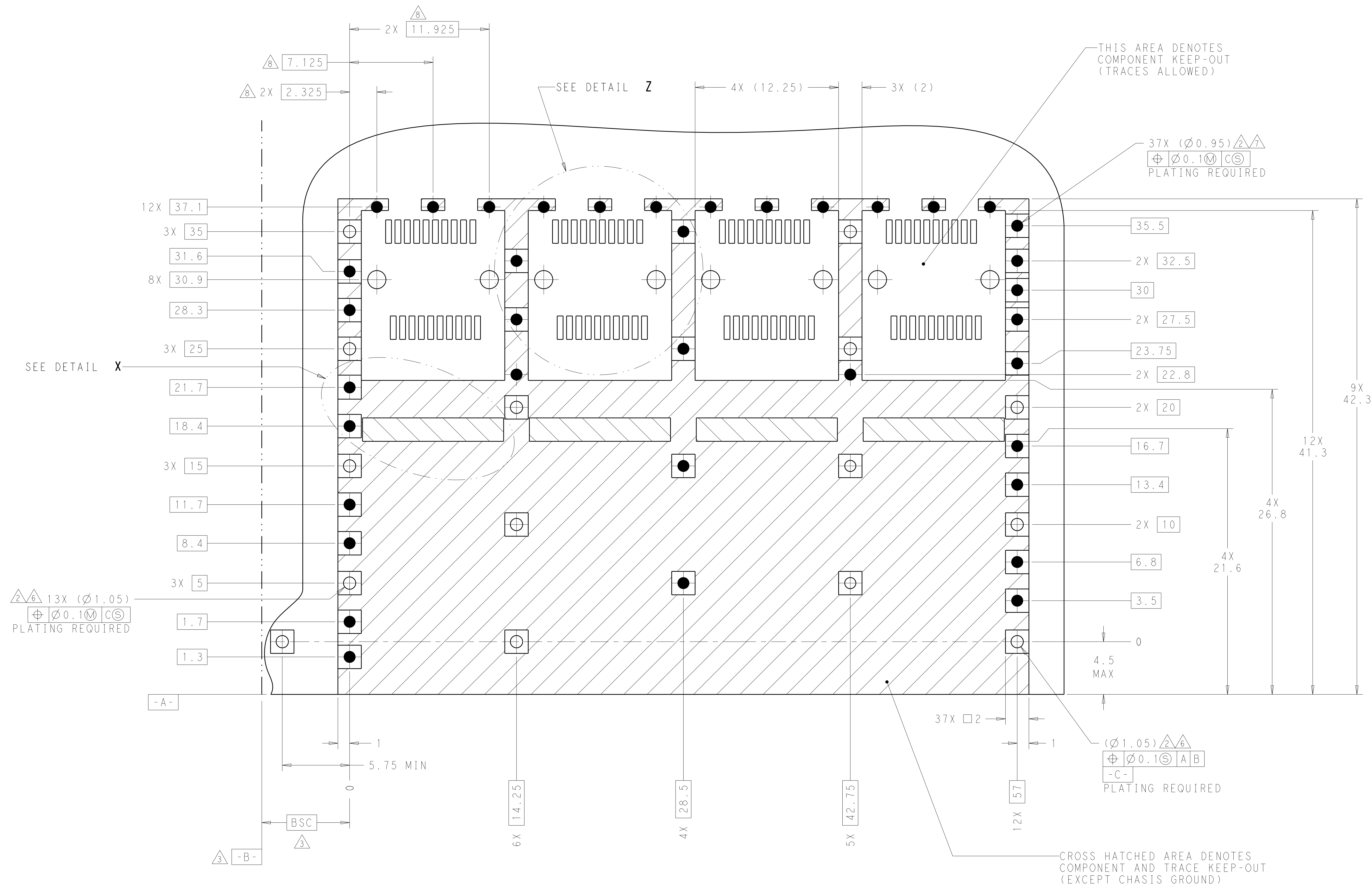


2057162-1
MOUNTED ON PC BOARD SHOWN
THRU RECOMMENDED BEZEL
SCALE 5:1

2057162-1
PART NUMBER

<small>THIS DRAWING IS UNPUBLISHED. RELEASED FOR PUBLICATION BY TYCO ELECTRONICS CORPORATION. ALL RIGHTS RESERVED.</small>		DWN C. ROHLER 23MAR2009 CHK M. SCHMITT 23MAR2009 APVD B. WERTZ 23MAR2009	Tyco Electronics Tyco Electronics Harrisburg, PA 17105-3608
DIMENSIONS: mm 	TOLERANCES UNLESS OTHERWISE SPECIFIED: 0 PLC ±.1 1 PLC ±.1 2 PLC ±.1 3 PLC ±.1 4 PLC ±.1 ANGLES ±.1 FINISH -	PRODUCT SPEC 108-2364 APPLICATION SPEC 114-13120 WEIGHT -	NAME SFP+ ENHANCED, 1X4 CAGE ASSEMBLY PRESS FIT, EMI GASKET SIZE CAGE CODE DRAWING NO A 100779 C=2057162 RESTRICTED TO -
MATERIAL 		CUSTOMER DRAWING	SCALE 5:1 SHEET 1 OF 3 REV A

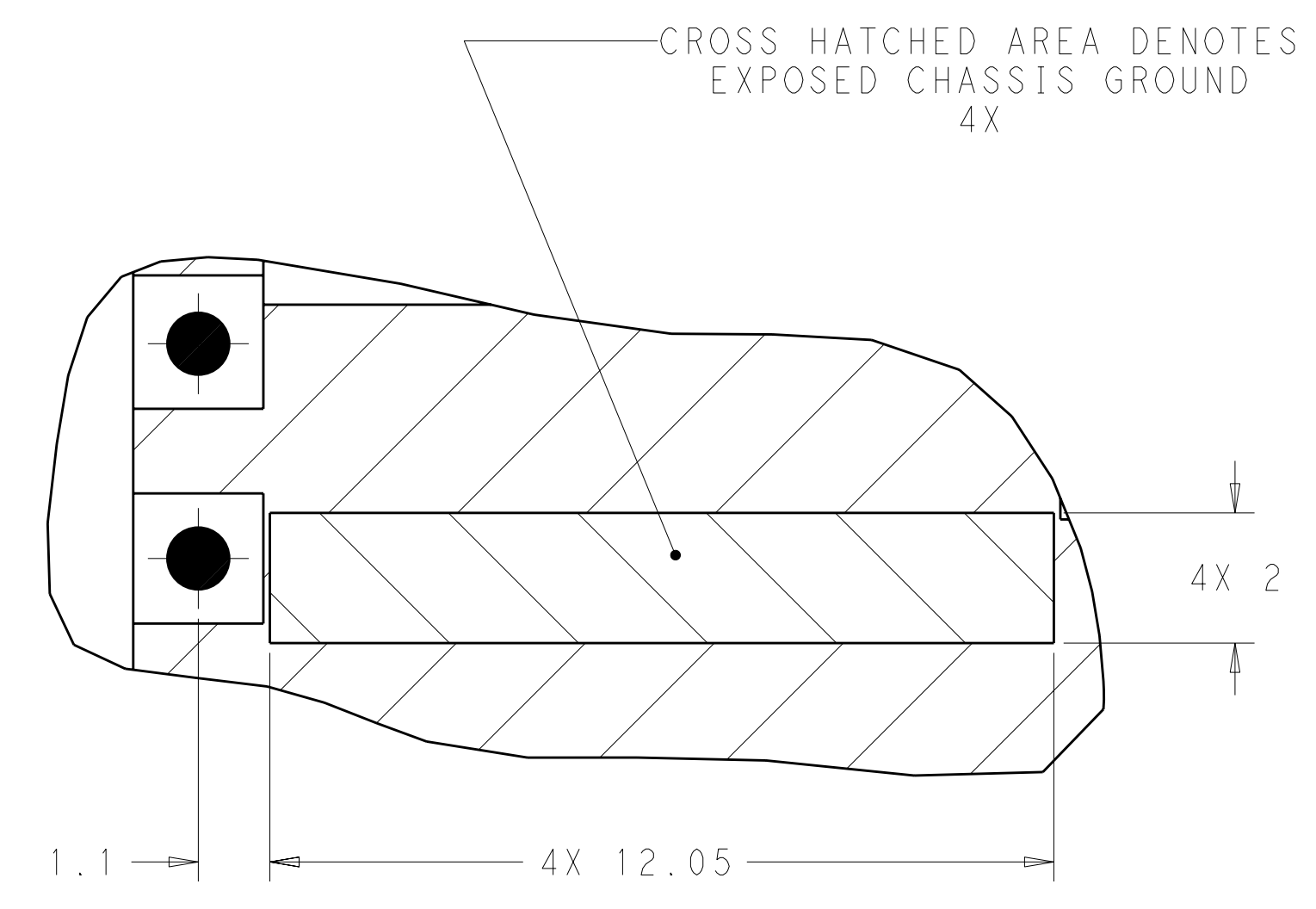
LOC	DIST	REV	DATE	BY	APPD
-	-	1	-	-	-
DESCRIPTION			DATE	DWN	APPD
SEE SHEET 1			-	-	-



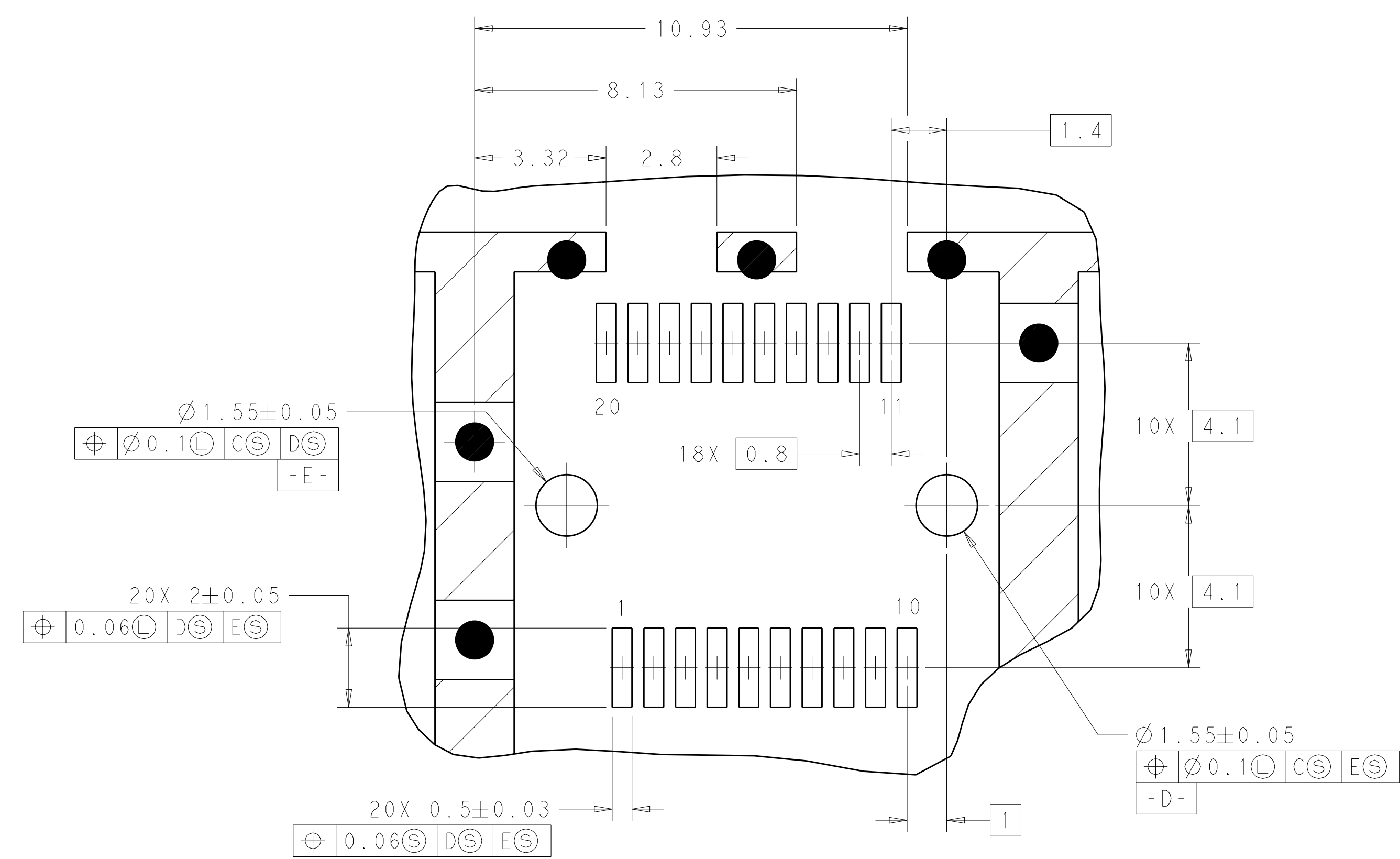
RECOMMENDED PCB CONFIGURATION
 WITH KEEP-OUT AREAS
 SCALE 6:1

DIMENSIONS: mm 		TOLERANCES UNLESS OTHERWISE SPECIFIED: 9 PLC ±.1 8 PLC ±.1 5 PLC ±.1 4 PLC ±.1 ANGLES ±.1 FINISH		DWN C. ROHLER 23MAR2009 CHK M. SCHMITT 23MAR2009 APVD B. WERTZ 23MAR2009 PRODUCT SPEC 108-2364 APPLICATION SPEC 114-13120 WEIGHT CUSTOMER DRAWING		Tyco Electronics Harrisburg, PA 17105-3608 NAME SFP+ ENHANCED, 1X4 CAGE ASSEMBLY PRESS FIT, EMI GASKET SIZE CAGE CODE DRAWING NO. RESTRICTED TO A100779C=2057162 SCALE 5:1 SHEET 2 OF 3 REV A	
-----------------------	--	--	--	---	--	--	--

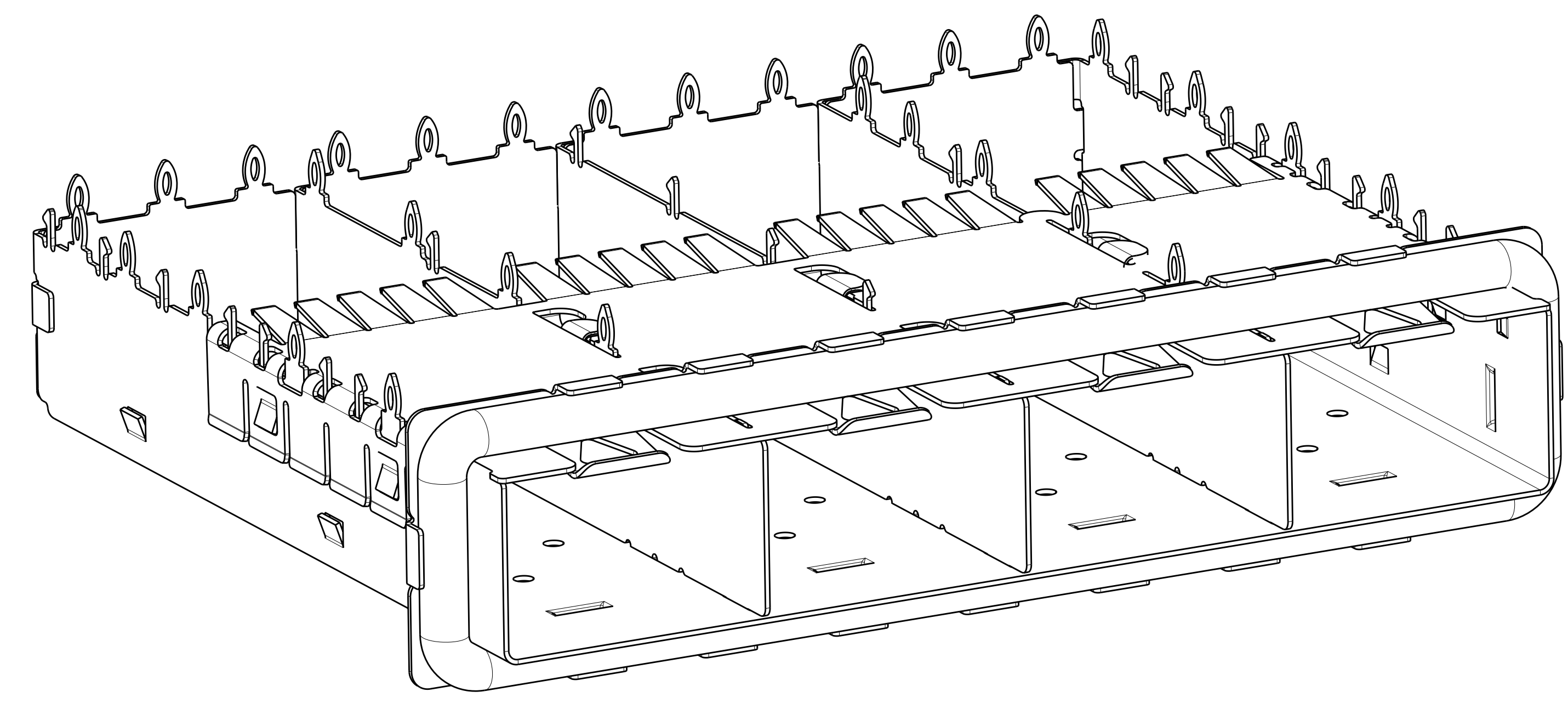
LOC	DIST	REV	DATE	BY	APPD
-	-	1	-	-	-
DESCRIPTION			DATE	DWN	APPD
SEE SHEET 1			-	-	-



DETAIL X
SCALE 10:1



DETAIL Z
RECOMMENDED PT CONNECTOR LAYOUT
4X INDIVIDUALLY PLACED
SCALE 10:1



BOTTOM ISOMETRIC VIEW
2057162-1

<small>THIS DRAWING IS UNPUBLISHED. RELEASED FOR PUBLICATION. ALL RIGHTS RESERVED. THIS IS SUBJECT TO CHANGE WITHOUT NOTICE AND WITHOUT OBLIGATION. TOLERANCES UNLESS OTHERWISE SPECIFIED: DIMENSIONS: mm</small>		DWN: C. ROHLER 23MAR2009 CHK: M. SCHMITT 23MAR2009 APPD: B. WERTZ 23MAR2009	Tyco Electronics Harrisburg, PA 17105-3608
DIMENSIONS: mm 0 PLC ±.1 1 PLC ±.1 2 PLC ±.1 3 PLC ±.1 4 PLC ±.1 ANGLES ±.1 FINISH #1	TOLERANCES UNLESS OTHERWISE SPECIFIED: 0 PLC ±.1 1 PLC ±.1 2 PLC ±.1 3 PLC ±.1 4 PLC ±.1 ANGLES ±.1 FINISH #1	PRODUCT SPEC: 108-2364 APPLICATION SPEC: 114-13120 WEIGHT: - CUSTOMER DRAWING	NAME: SFP+ ENHANCED, 1X4 CAGE ASSEMBLY PRESS FIT, EMI GASKET SIZE: A 00779 C=2057162 SCALE: 5:1 SHEET 3 OF 3 REV A