

1. 製品名称／PRODUCT NAME : 2.0 FPC TO BOARD CONN RA EMBOSSED TAPE PACKAGING
製品番号／PART NUMBER : 5 0 5 1 4 7 * * 9 0

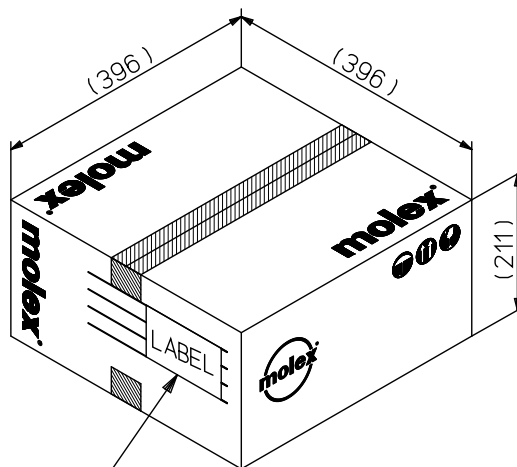
(** は極数を示す)
(** IS CIRCUITS SIZE)

2. 標準梱包数／STANDARD PACKAGING QUANTITY

極 数 CKT. SIZE	キャリア テープ幅 (mm) CARRIER TAPE WIDTH (mm)	1 リール中の製品数 QTY. PER REEL	外装カートン SHIPPING CARTON	
			梱包リール数 NUMBER OF REELS	製品数 QUANTITY
2	32	900	4	3,600
3				
4				

REV.	A				
SHEET	1~2				
REVISE ON PC ONLY		TITLE:			
A	RELEASED 101537 2015/10/27 T.NAKAGAWA	5 0 5 1 4 7 梱包仕様書 SALES PACKAGING SPEC. FOR 505147			
	REV.	DESCRIPTION	THIS DOCUMENT CONTAINS INFORMATION THAT IS PROPRIETARY TO MOLEX INC. AND SHOULD NOT BE USED WITHOUT WRITTEN PERMISSION		
DESIGN CONTROL J	STATUS	WRITTEN BY: T.NAKAGAWA01	CHECKED BY: T.HARUYAMA	APPROVED BY: H.HIRATA	DATE: 2015/10/27
DOCUMENT NUMBER 5051479200		DOC. TYPE PS	DOC. PART 200	CUSTOMER GENERAL	SHEET 1 OF 2

3. カートン外形参考寸法 / CARTON OUTER DIMENSIONS (REFERENCE PURPOSE ONLY) 単位 / UNIT: mm



カートンラベル
CARTON LABEL

(製品型番, 数量, ロットNO. 表示)
INDICATION OF PART No., QUANTITY, LOT No.

標準カートン
STANDARD CARTON

A	REVISE ON PC ONLY	TITLE: 5 0 5 1 4 7 梱包仕様書 SALES PACKAGING SPEC. FOR 505147			
	SEE SHEET 1 OF 2				
REV.	DESCRIPTION	THIS DOCUMENT CONTAINS INFORMATION THAT IS PROPRIETARY TO MOLEX INC. AND SHOULD NOT BE USED WITHOUT WRITTEN PERMISSION			
DOCUMENT NUMBER 5051479200		DOC. TYPE PS	DOC. PART 200	CUSTOMER GENERAL	SHEET 2 OF 2
EN-127(2015-09 rev.5)					