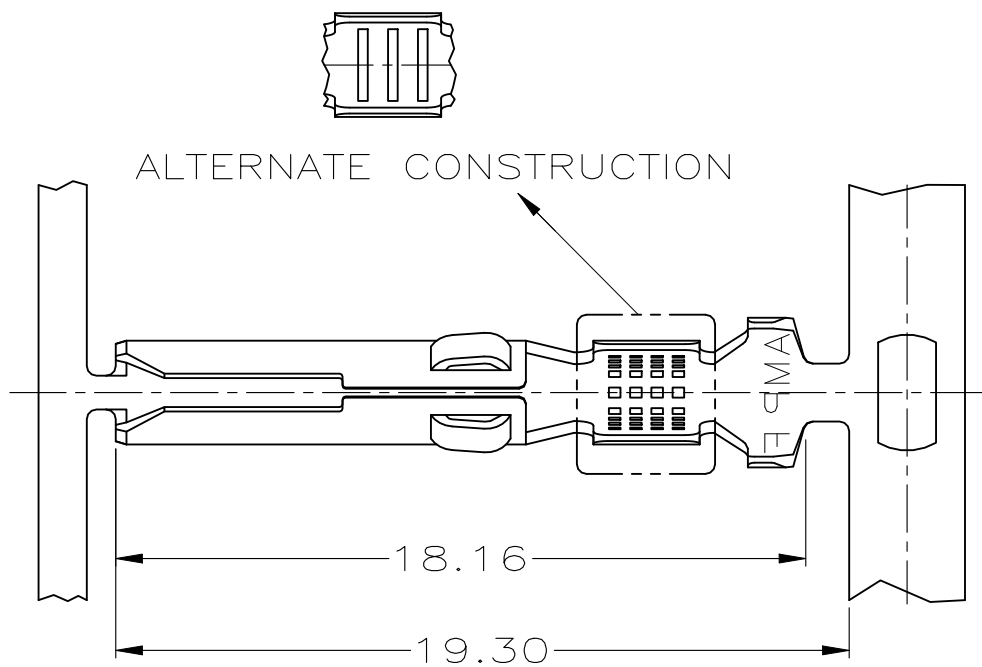
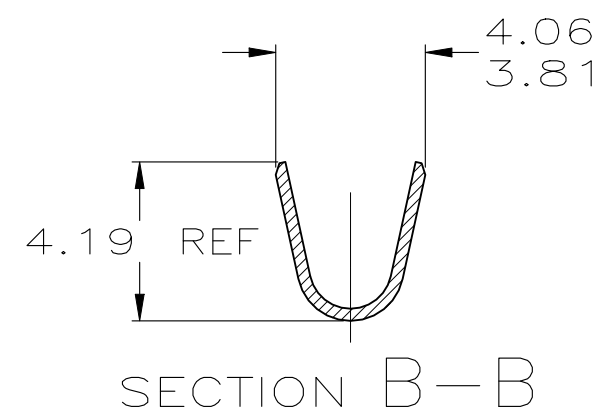
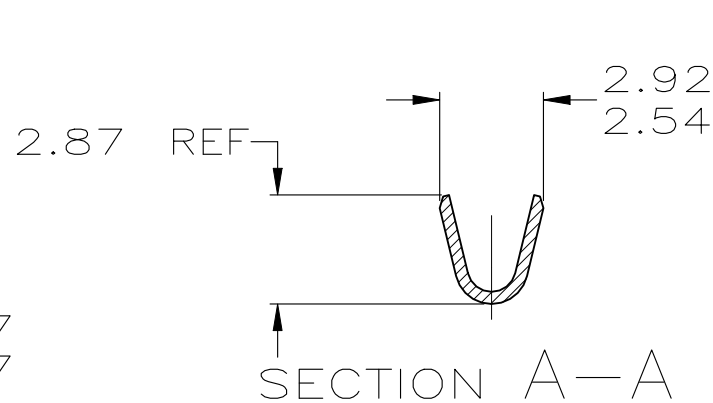
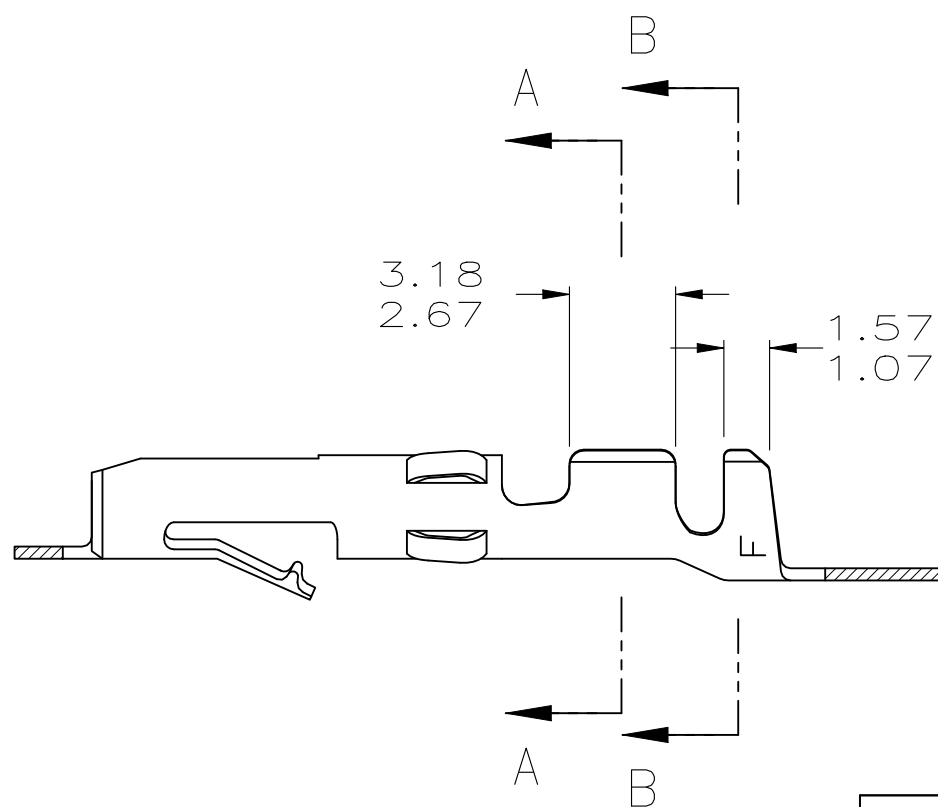


P	LTR	DESCRIPTION	DATE	DWN	APVD
	H1	REVISED PER ECR-21-101087	07MAY2021	PJ	VS



1. WIRE RANGE: 0.3 - 0.9 mm<sup>2</sup> (22 - 18 AWG)
2. INSULATION RANGE: 2.16 - 2.67



19.30	.760
18.16	.715
4.19	.165
4.06	.160
3.81	.150
3.18	.125
2.92	.115
2.87	.113
2.67	.105
2.54	.100
2.16	.085
1.57	.062
1.07	.042
0.32	.013
0.13	.005
MM	IN
CONVERSION TABLE	

METRIC

OBSOLETE	-60951-4
	60951-3
OBSOLETE	-60951-2
OBSOLETE	-60951-1
	PART NUMBER

THIS DRAWING IS A CONTROLLED DOCUMENT.		DWN T. BECK 20-OCT-98	<b>AMP</b> AMP Incorporated Harrisburg, PA 17105-3608			
DIMENSIONS: mm		CHK R. SWING 20-OCT-98				
TOLERANCES UNLESS OTHERWISE SPECIFIED:		APVD C. MARTIN 20-OCT-98	NAME SOCKET, AUTOMOTIVE MATE-N-LOK™			
0 PLC ±-		PRODUCT SPEC				
1 PLC ±-		APPLICATION SPEC	SIZE A3	CAGE CODE 00779	DRAWING NO C-60951	RESTRICTED TO
2 PLC ±0.13		WEIGHT -	SCALE 5:1		SHEET 1 OF 1	REV H1
3 PLC ±-		CUSTOMER DRAWING				
4 PLC ±-						
ANGLES ±-						
FINISH PRE-TIN						