



PART NAME

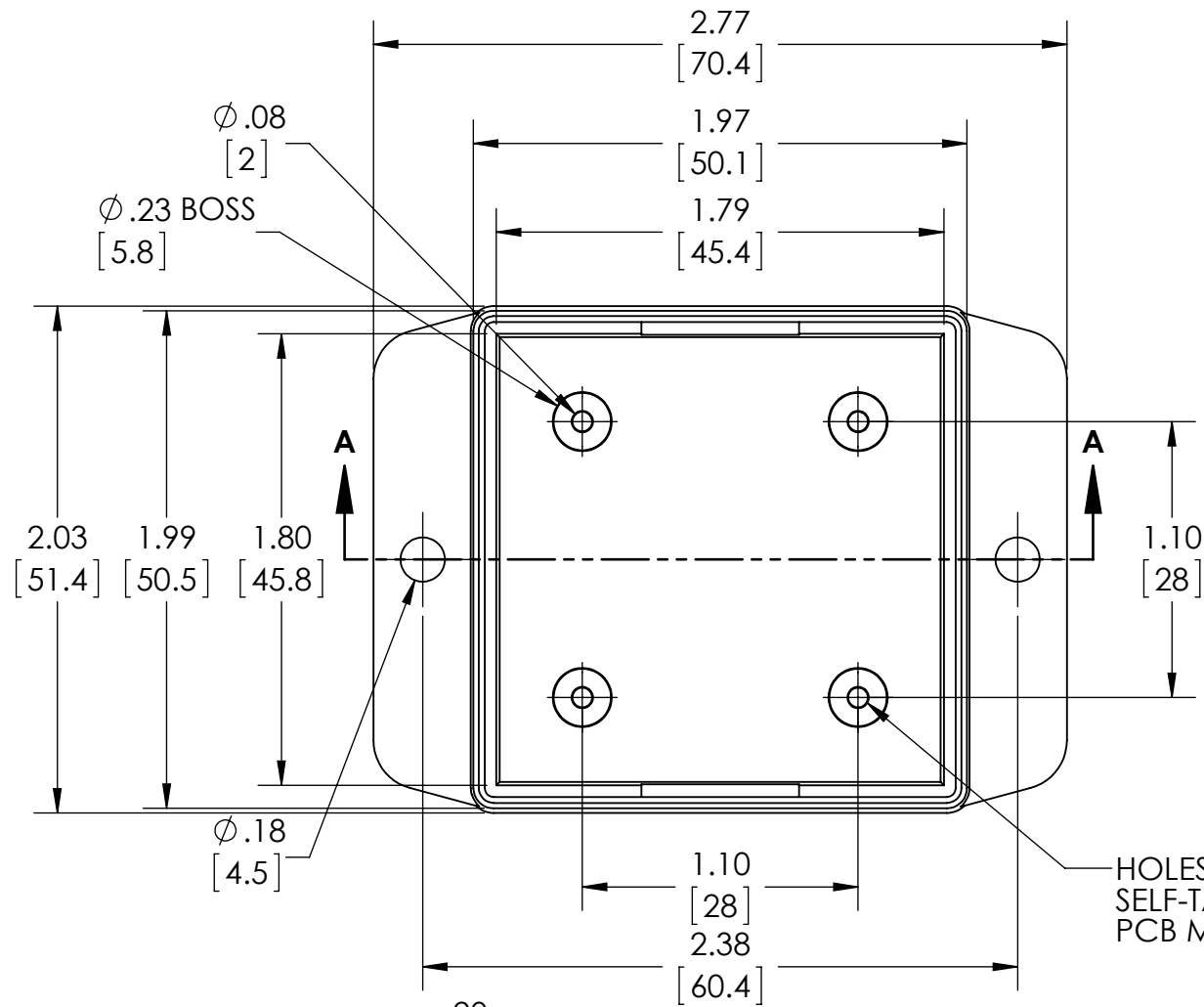
# SNAP UTILITY BOX

PART No.

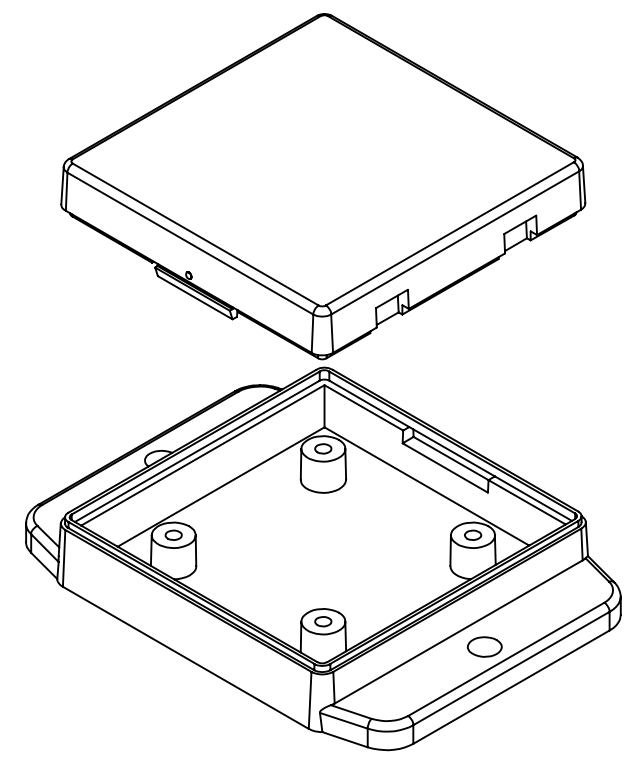
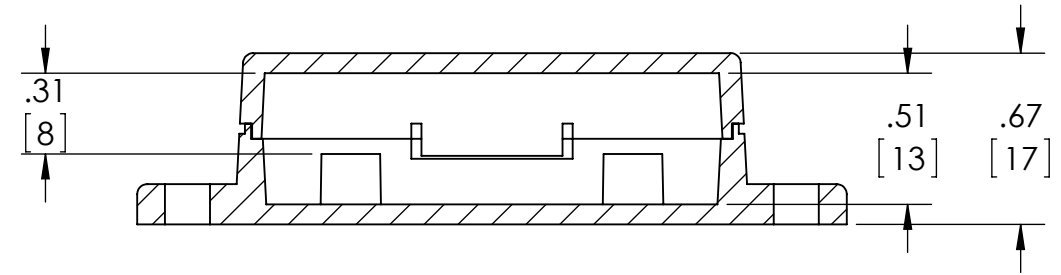
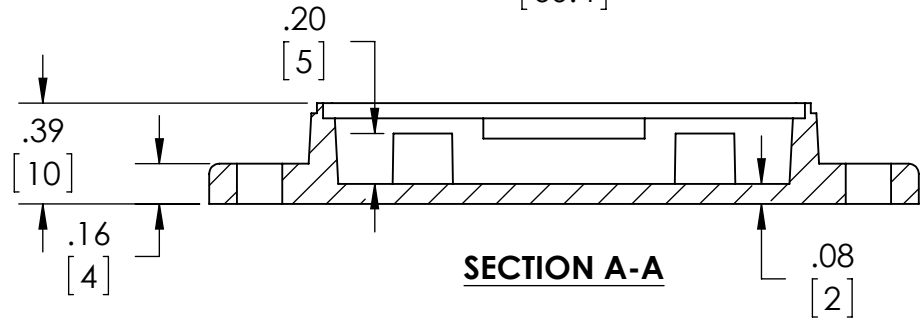
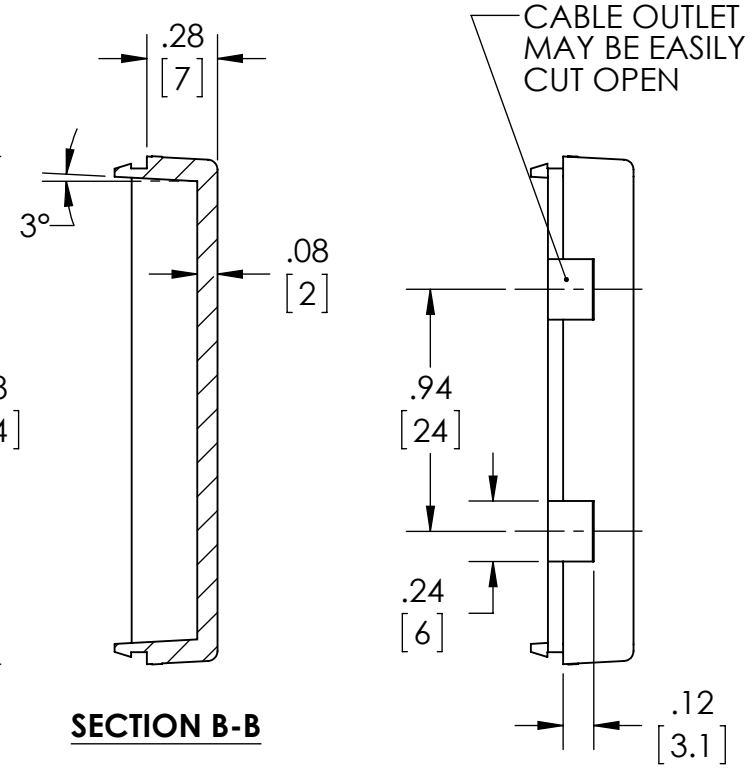
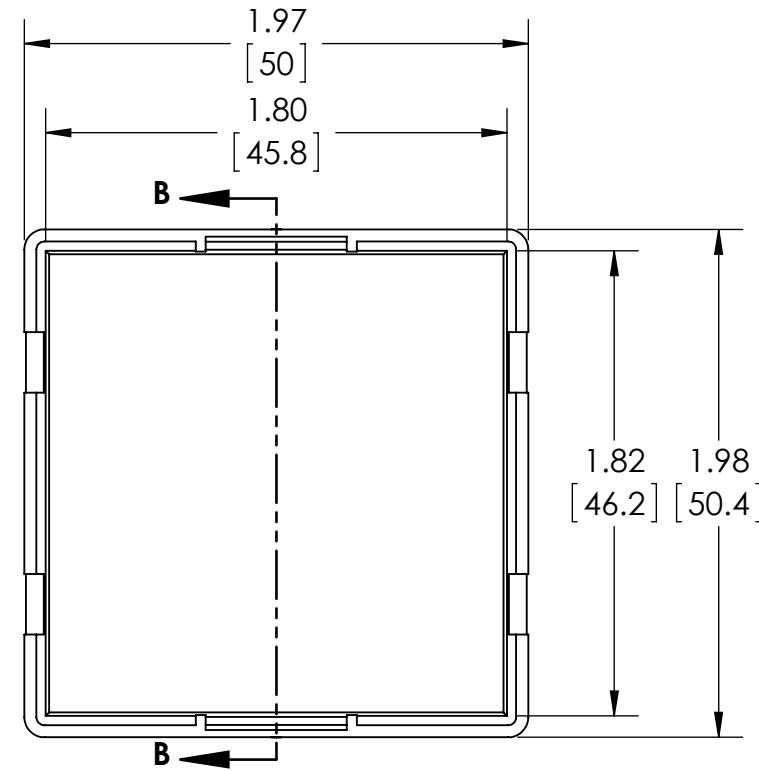
CU-18421-B CU-18421-W

REVISION DATE

10-7-14



HOLE ACCEPT M2.6 x 6mm LG. SELF-TAPPING SCREWS FOR PCB MOUNTING



MATERIAL:  
ABS UL94-HB

COLOR:  
BLACK OR WHITE

DIMENSIONS IN INCH[MM]  
DRAWING FOR REFERENCE