

- 1
- 2
- 3
- 4
- 5
- 6
- 7
- 8
- 9
- 10
- 11
- 12
- 13
- 14
- 15
- 16
- 17
- 18

HANDLE

Glass-fibre reinforced polyamide based (PA) technopolymer, grey-black colour, matte finish.

LOCK

- Glass-fibre reinforced polyamide-based (PA) technopolymer rotor, grey-black colour, matte finish. NBR rubber O-Ring.
- Brass stator M22x1,5.
- Zinc alloy locking nut M22x1,5.
- Zinc alloy shaped closing lever, thickness = 4 mm.
- Zinc-plated steel toothed washer.
- Zinc-plated steel self-tapping screw.

KEY

Polyamide based (PA) technopolymer, grey-black colour, matte finish.

STANDARD EXECUTION

- Brass boss, threaded blind hole.
- **EBP-CH-T**: triangular groove for key,
- **EBP-CH-A**: two-wing groove for key.

ROTATION

90°.

TECHNICAL DATA

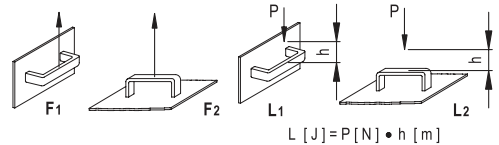
Tensile stress and impact strength: the values F1, F2, L1 and L2 indicated in the table were obtained during breaking tests carried out with the appropriate dynamometric equipment under the test conditions shown in the figure with ambient temperature. The value F3 shown in the table represents the load under traction in the closed condition of the handle.

ASSEMBLY INSTRUCTIONS

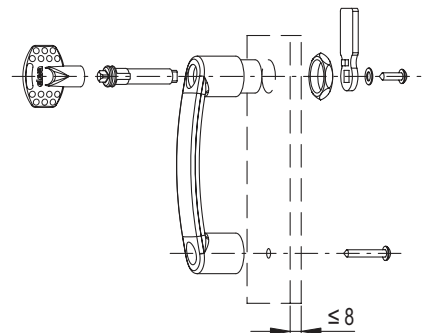
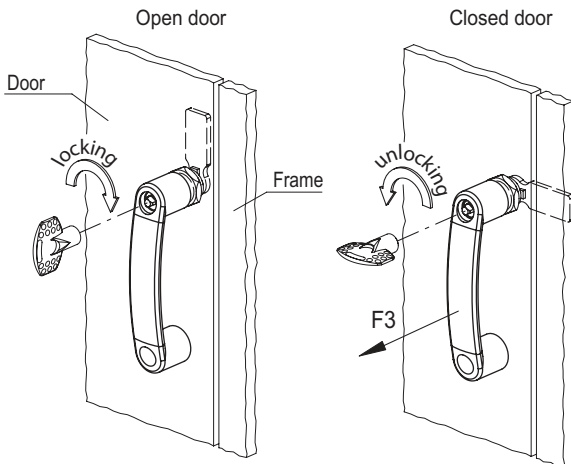
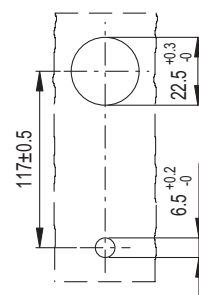
1. Drill the holes in the door following the supplied template.
2. Fit the handle.
3. Screw the nut on the stator and the screw in the tapped boss to secure the handle to the door.
4. Fit the rotor into the handle seat.
5. Fix the lever to the end of the rotor by means of a washer and a threaded screw.

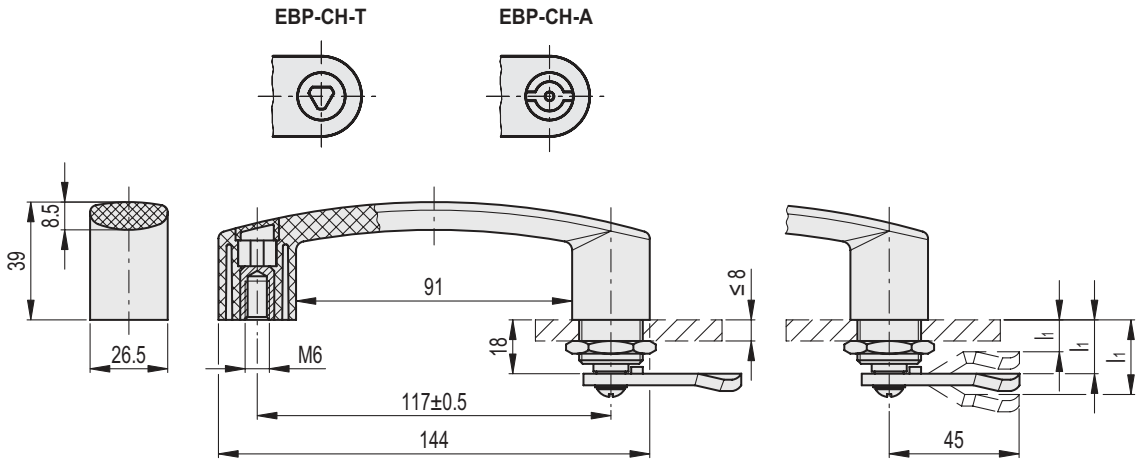


ERGOSTYLE® ELESAs Original design



Drilling template





EBP-CH-T		EBP-CH-A		METRIC						
Code	Description	Code	Description	l1	F1 [N]	F2 [N]	F3 [N]	L1 [J]	L2 [J]	⚖️
260266-C1	EBP.140-CH-T-L6-B M6-C1	260286-C1	EBP.140-CH-A-L6-B M6-C1	6	2700	1800	1000	10	4	165
260267-C1	EBP.140-CH-T-L10-B M6-C1	260287-C1	EBP.140-CH-A-L10-B M6-C1	10	2700	1800	1000	10	4	164
260268-C1	EBP.140-CH-T-L14-B M6-C1	260288-C1	EBP.140-CH-A-L14-B M6-C1	14	2700	1800	1000	10	4	164
260269-C1	EBP.140-CH-T-L16-B M6-C1	260289-C1	EBP.140-CH-A-L16-B M6-C1	16	2700	1800	1000	10	4	163
260270-C1	EBP.140-CH-T-L18-B M6-C1	260290-C1	EBP.140-CH-A-L18-B M6-C1	18	2700	1800	1000	10	4	163
260271-C1	EBP.140-CH-T-L20-B M6-C1	260291-C1	EBP.140-CH-A-L20-B M6-C1	20	2700	1800	1000	10	4	163
260272-C1	EBP.140-CH-T-L22-B M6-C1	260292-C1	EBP.140-CH-A-L22-B M6-C1	22	2700	1800	1000	10	4	164
260273-C1	EBP.140-CH-T-L24-B M6-C1	260293-C1	EBP.140-CH-A-L24-B M6-C1	24	2700	1800	1000	10	4	164
260274-C1	EBP.140-CH-T-L26-B M6-C1	260294-C1	EBP.140-CH-A-L26-B M6-C1	26	2700	1800	1000	10	4	165
260275-C1	EBP.140-CH-T-L28-B M6-C1	260295-C1	EBP.140-CH-A-L28-B M6-C1	28	2700	1800	1000	10	4	165
260276-C1	EBP.140-CH-T-L30-B M6-C1	260296-C1	EBP.140-CH-A-L30-B M6-C1	30	2700	1800	1000	10	4	165
260277-C1	EBP.140-CH-T-L32-B M6-C1	260297-C1	EBP.140-CH-A-L32-B M6-C1	32	2700	1800	1000	10	4	166
260278-C1	EBP.140-CH-T-L34-B M6-C1	260298-C1	EBP.140-CH-A-L34-B M6-C1	34	2700	1800	1000	10	4	166
260279-C1	EBP.140-CH-T-L36-B M6-C1	260299-C1	EBP.140-CH-A-L36-B M6-C1	36	2700	1800	1000	10	4	167
260280-C1	EBP.140-CH-T-L38-B M6-C1	260300-C1	EBP.140-CH-A-L38-B M6-C1	38	2700	1800	1000	10	4	167
260281-C1	EBP.140-CH-T-L40-B M6-C1	260301-C1	EBP.140-CH-A-L40-B M6-C1	40	2700	1800	1000	10	4	168
260282-C1	EBP.140-CH-T-L42-B M6-C1	260302-C1	EBP.140-CH-A-L42-B M6-C1	42	2700	1800	1000	10	4	168