

Relay socket base PRS, for miniature power relay with 1 CO contact, Screw connection, Plug-in option for input/suppression modules, Mounting type: Mounting rail TS 35

### Business data

Article number	<u>15135.2</u>
Article name	PRS 1
GTIN (EAN)	4044211046187
Packaging unit	1
Quantity unit	PC
Weight per piece (not including packaging)	33.7 g
Weight per piece (including packaging)	38.2 g
Unit of weight	G
Customs number	85366990
Country of origin	CN
Product description	Relay socket base with screw connection

### Technical data

#### Dimensions

Length	76 mm
Width	15.8 mm
Height TS 35 / 7.5 with BA	46 mm

#### Ratings

Overvoltage category	III
Contamination degree	2

#### Connection data

Connection principle	Screw connection
Wire cross-section single core (rigid), min.	0.2 mm <sup>2</sup>
Wire cross-section single-core (rigid), max.	2.5 mm <sup>2</sup>
Wire cross-section stranded, min.	0.2 mm <sup>2</sup>
Wire cross-section stranded, max.	2.5 mm <sup>2</sup>
Wire cross-section stranded with wire-end ferrules, min.	0.2 mm <sup>2</sup>
Wire cross-section stranded with wire-end ferrules, max.	2.5 mm <sup>2</sup>
Stripping length	8 mm
Torque	0.8 Nm

#### Output data

Switching voltage / switching voltage max.	230 / 400 VAC
Continuous current max. / Inrush current max.	12 A
Contact configuration	1 CO contact

#### Materials

Flammability class UL 94	V-0
Working temperature, min.	-25 °C
Working temperature, max.	80 °C

#### Further technical data

Degree of protection	IP20
Insulation voltage coil/contact	4 kV
Insulation voltage contact/contact	1 kV
Pinning	3.5 mm

---

### Technical data

---

#### Environmental Product Compliance

---

REACH Conform	yes
REACH Reference date	2023-01-17
REACH Candidate Substance Note	No
RoHS Conform	yes

---

---

### Approvals

---

#### Standards and regulations

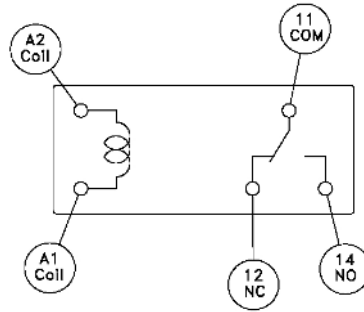
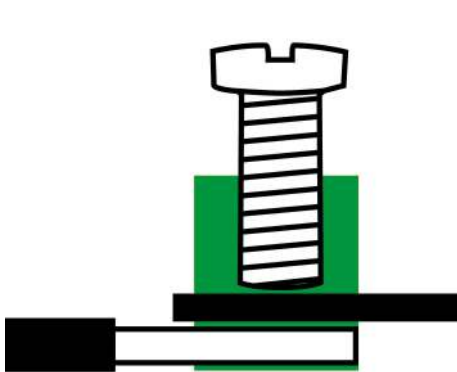
---

CE compliant

yes

---

### Media



### Accessories

#### Holding clamp



Relay holding clip, With eject, Suitable for relay socket base PRS 1 and PRS 2, for miniature power relays

Article number	Article name	GTIN (EAN)	Packaging unit
<u>15138.2</u>	PRS C1/2	4044211046217	1 ST



Relay holding clip, With eject, Suitable for relay socket base PRS 1 and PRS 2, for industrial relay XT

Article number	Article name	GTIN (EAN)	Packaging unit
<u>16016.2</u>	PRSXT C1/2	4044211145217	20 ST

#### Insert modules



Insertion module, Suitable for relay socket base PRS, LED red status display, With free-wheel diode

Article number	Article name	GTIN (EAN)	Packaging unit
<u>15141.2</u>	PRS LED(RD) 24V DC	4044211046231	1 ST



Insertion module, Suitable for relay socket base PRS, LED red status display

Article number	Article name	GTIN (EAN)	Packaging unit
<u>15142.2</u>	PRS LED(RD) 230V AC	4044211046255	1 ST



Insertion module, Suitable for relay socket base PRS, LED red status display

Article number	Article name	GTIN (EAN)	Packaging unit
<u>15175.2</u>	PRS LED(RD) 24V UC	4044211046521	1 ST



Insertion module, Suitable for relay socket base PRS, LED red status display, With free-wheel diode

Article number	Article name	GTIN (EAN)	Packaging unit
<u>15422.2</u>	PRS LED(RD)/110V DC	4044211104306	1 ST

### Insert modules

Plug-in module, Suitable for relay socket base PRS, RC element, Input voltage: 24 VAC

Article number	Article name	GTIN (EAN)	Packaging unit
<u>15808.2</u>	PRS RC 24V AC	4044211135201	1 ST

Plug-in module, Suitable for relay socket base PRS, RC element, Input voltage: 240 VAC

Article number	Article name	GTIN (EAN)	Packaging unit
<u>15809.2</u>	PRS RC 240V AC	4044211135218	1 ST



Insertion module, Suitable for relay socket base PRS, LED red status display, With varistor

Article number	Article name	GTIN (EAN)	Packaging unit
<u>15810.2</u>	PRS LED(RD) 230V UC Var.	4044211135225	1 ST



Insertion module, Suitable for relay socket base PRS, LED red status display, With varistor

Article number	Article name	GTIN (EAN)	Packaging unit
<u>16070.2</u>	PRS LED(GN) 24V UC Var.	4044211146078	1 ST

### Cross-connector

External cross-connector insulated, for relay socket base PRS 1 and PRS 2/6-pole, can be shortened, Voltage: 250 V, Current 10 A



Article number	Article name	GTIN (EAN)	Packaging unit
<u>15779.2</u>	AQI/PRS/8 BK	4044211134006	20 ST

### Screwdriver

Screwdriver with bare blade, Colour: Black-grey



Article number	Article name	GTIN (EAN)	Packaging unit
<u>1086.0</u>	SDB 0,6x3,5	4044211014797	1 ST

### Relays



Plug-in miniature power relay, Encapsulated design with power contact, 1 CO contact, Input voltage: 115 VAC

Article number	Article name	GTIN (EAN)	Packaging unit
<a href="#">15228.2</a>	PRS 1/115V AC	4044211046705	1 ST



Plug-in miniature power relay, Encapsulated design with power contact, 1 CO contact, Input voltage: 60 VDC

Article number	Article name	GTIN (EAN)	Packaging unit
<a href="#">15539.2</a>	PRS 1/60V DC	4044211117900	1 ST



Plug-in miniature power relay, Encapsulated design with power contact, 1 CO contact, Input voltage: 5 VDC

Article number	Article name	GTIN (EAN)	Packaging unit
<a href="#">16076.2</a>	PRS 1/5V DC	4044211171179	1 ST



Plug-in industrial relays with power contacts, 1 CO contact, Test button, Status LED, Mechanical switching position indicator, Input voltage: 230 VAC

Article number	Article name	GTIN (EAN)	Packaging unit
<a href="#">16085.2</a>	PRSXT 1/230V AC	4044211171544	10 ST



Plug-in miniature power relay, Encapsulated design with power contact, 1 CO contact, Input voltage: 24 VDC

Article number	Article name	GTIN (EAN)	Packaging unit
<a href="#">6804.0</a>	PRS 1/24V DC	4044211076009	1 ST



Plug-in miniature power relay, Encapsulated design with power contact, 1 CO contact, Input voltage: 110 VDC

Article number	Article name	GTIN (EAN)	Packaging unit
<a href="#">15540.2</a>	PRS 1/110V DC	4044211117917	1 ST



### Relays



Plug-in industrial relays with power contacts, 1 CO contact, Test button, Status LED, Free-wheel diode, Mechanical switching position indicator, Polarity A1+, A2-, Input voltage: 24 VDC

Article number	Article name	GTIN (EAN)	Packaging unit
<u>16083.2</u>	PRSXT 1/24V DC	4044211171520	10 ST



Plug-in industrial relays with power contacts, 1 CO contact, Test button, Status LED, Mechanical switching position indicator, Input voltage: 24 VAC

Article number	Article name	GTIN (EAN)	Packaging unit
<u>16084.2</u>	PRSXT 1/24V AC	4044211171537	10 ST



Plug-in miniature power relay, Encapsulated design with power contact, 1 CO contact, Input voltage: 24 VAC

Article number	Article name	GTIN (EAN)	Packaging unit
<u>6480.2</u>	PRS 1/24V AC	4044211074197	1 ST



Plug-in miniature power relay, Encapsulated design with power contact, 1 CO contact, Input voltage: 230 VAC

Article number	Article name	GTIN (EAN)	Packaging unit
<u>6481.2</u>	PRS 1/230V AC	4044211074203	1 ST