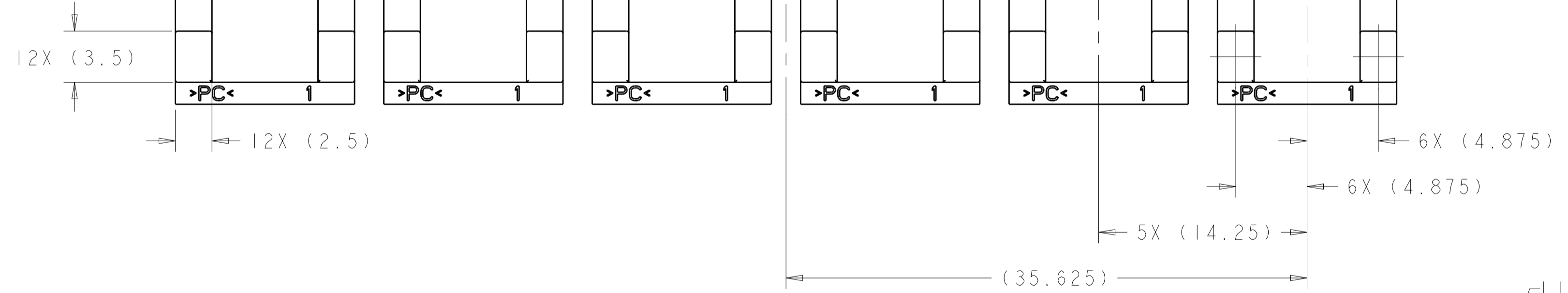
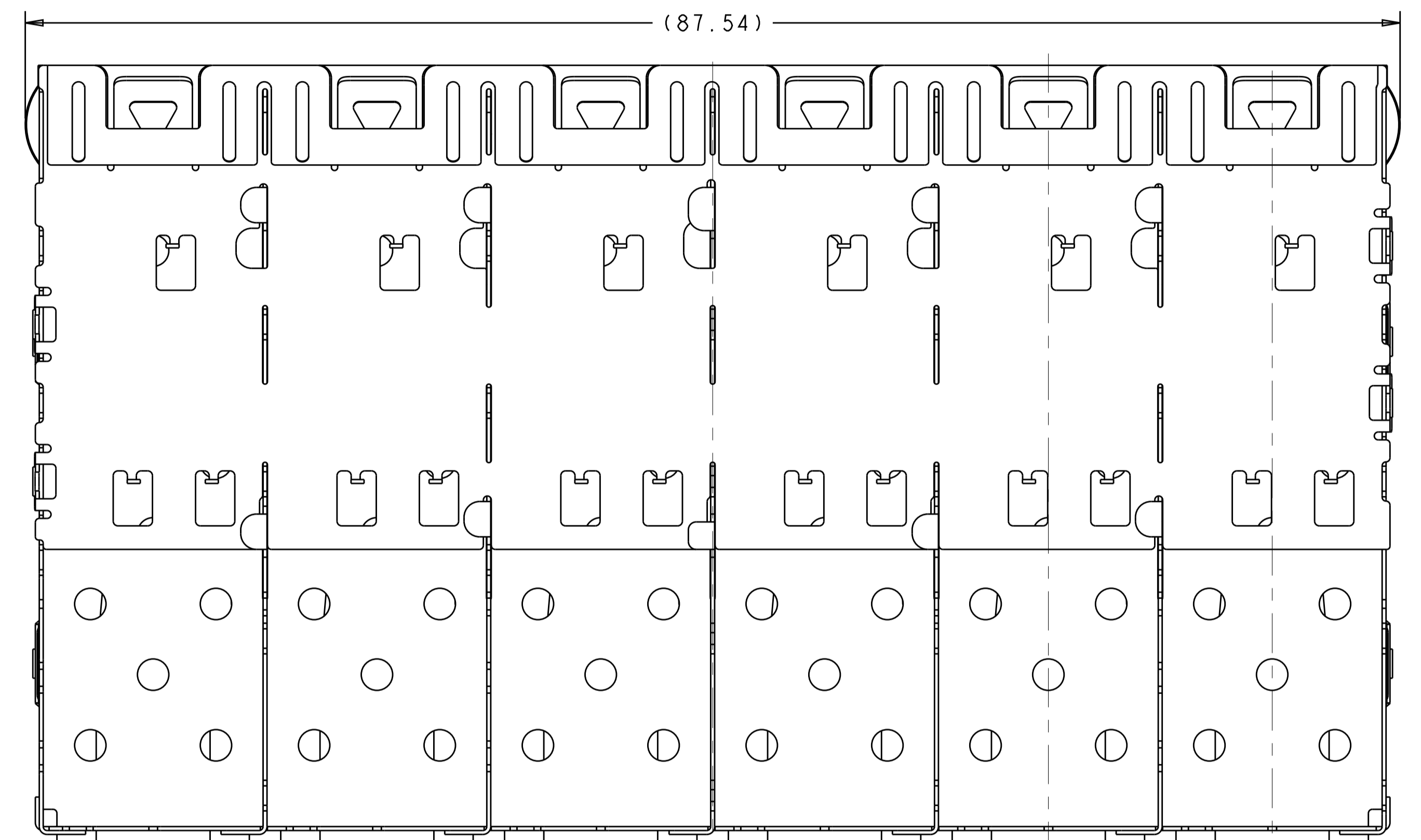
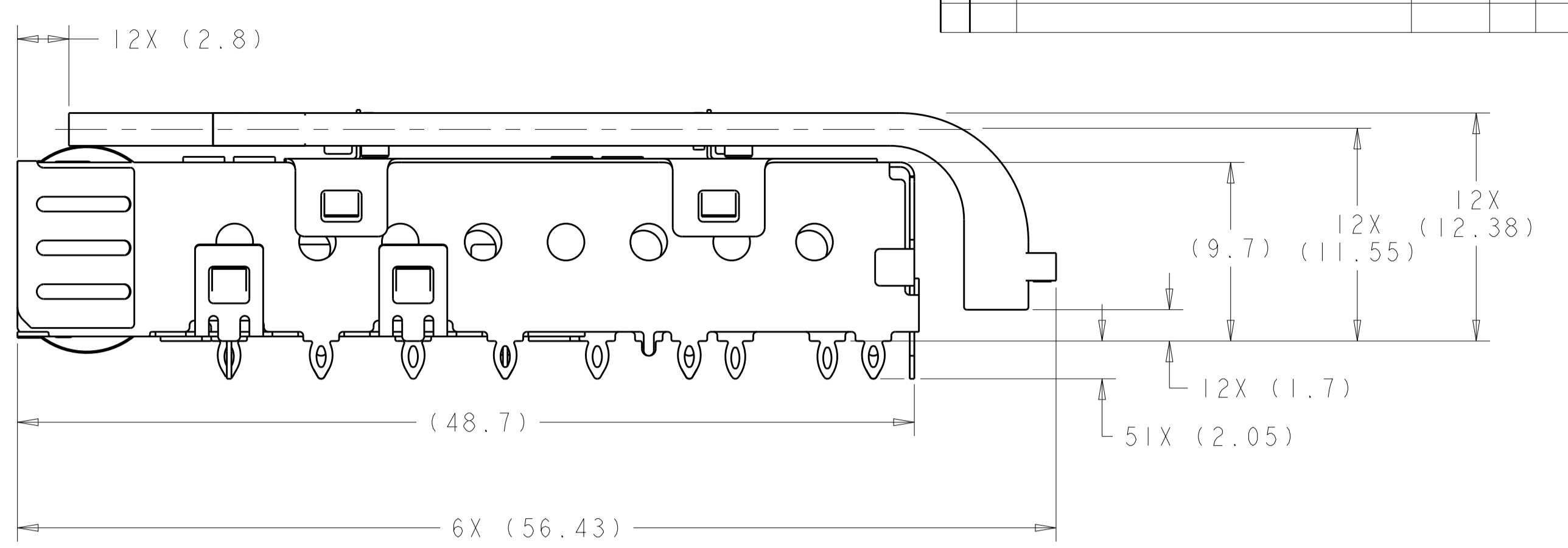
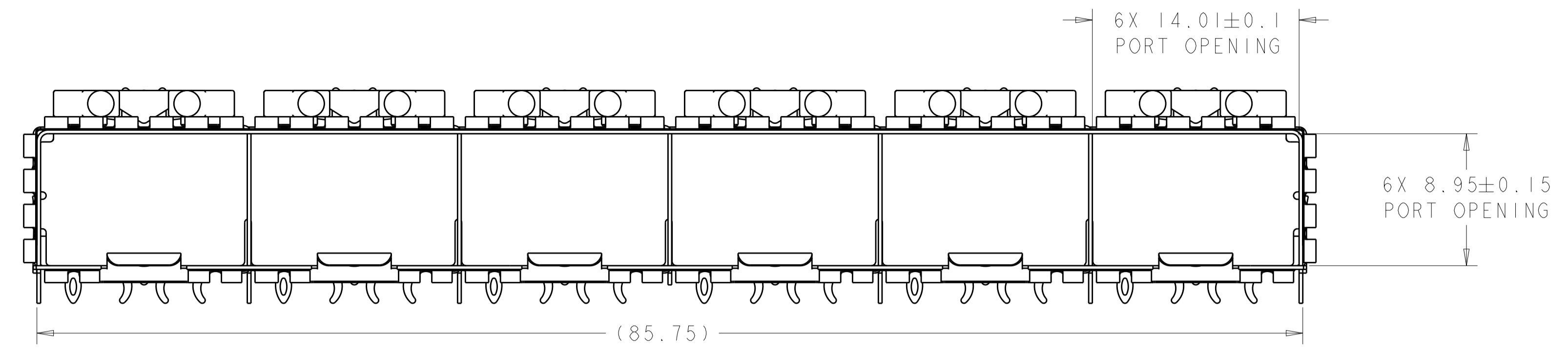
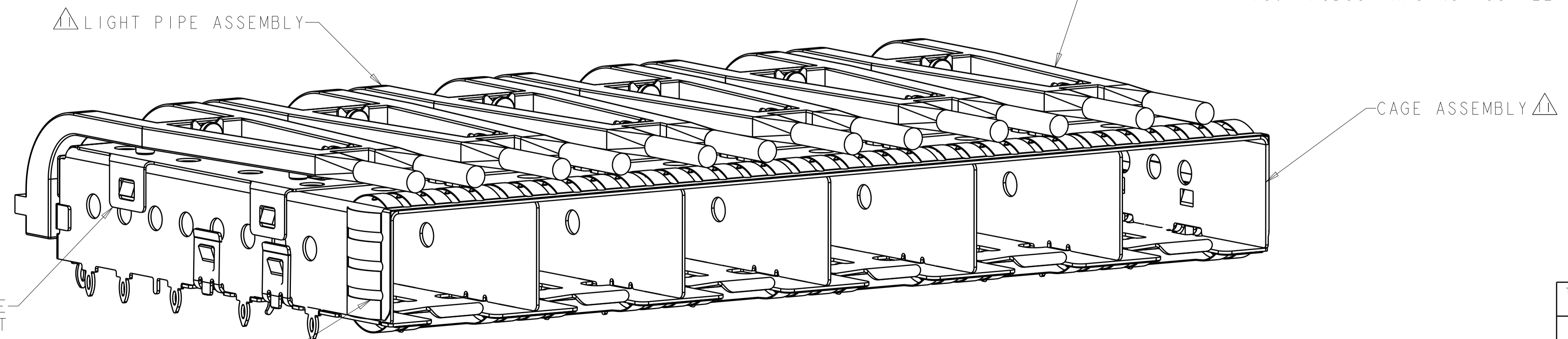


GP 00

REVISIONS				
P.	LTN.	DESCRIPTION	DATE	APVD.
A		RELEASED	26FEB2016	JW SH



- △ MATERIAL:
CAGE ASSEMBLY: 0.25mm THICK NICKEL SILVER ALLOY.
LIGHT PIPE CLIP: STAINLESS STEEL
LIGHT PIPE: POLYCARBONATE, CLEAR
- △ FINISH:
SPRINGS: MINIMUM OF 0.8um TIN PLATE OVER A MINIMUM OF 0.8um NICKEL UNDERPLATE.
NON-PLATED EDGES PERMISSIBLE.
- 3. MATES WITH SFP MSA COMPLIANT TRANSCEIVERS.
- △ PADS AND VIAS CHASSIS GROUND.
- 5. INTERPRETATION OF DATUM REFERENCE FRAME IN ACCORDANCE WITH SECT 4.4.1.1 OF ASME Y14.5M-1994.
- △ MINIMUM PC BOARD THICKNESS:
SINGLE SIDED = 1.50
DOUBLE SIDED = 2.25
- △ HOLE PATTERN REPEATS FOR EACH PORT. SPACING BETWEEN PORTS IS 14.25mm.
- △ DATUM AND BASIC DIMENSION ESTABLISHED BY CUSTOMER.
- △ REFERENCE APPLICATION SPEC. 114-13120, HOLE A, FOR RECOMMENDED DRILL HOLE DIAMETER AND PLATING THICKNESS.
- △ REFERENCE APPLICATION SPEC. 114-13120, HOLE B, FOR RECOMMENDED DRILL HOLE DIAMETER AND PLATING THICKNESS.
- △ LIGHT PIPE ASSEMBLY SHIPPED UNASSEMBLED TO CAGE ASSEMBLY. CAGE ASSEMBLY TO BE PRESSED INTO THE PCB PRIOR TO ATTACHING THE LIGHT PIPE ASSEMBLY TO THE CAGE.
- 12. CERTAIN MATING TRANSCEIVERS MAY REQUIRE ADDITIONAL PCB THICKNESS THAT WOULD NEED TO BE DETERMINED BY THE CUSTOMER.
- 13. PRODUCT HAS NOT COMPLETED VALIDATION/QUALIFICATION TESTING.



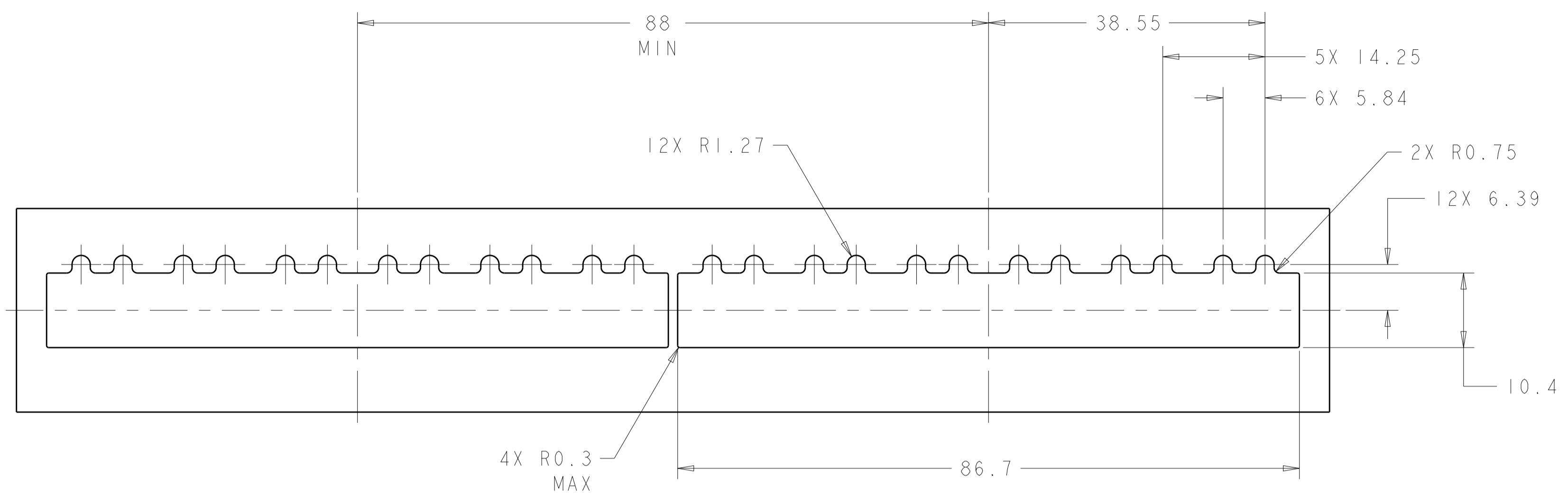
2110742-1
FINISHED ASSEMBLY
SCALE 4:1

2110742-1
PART NUMBER

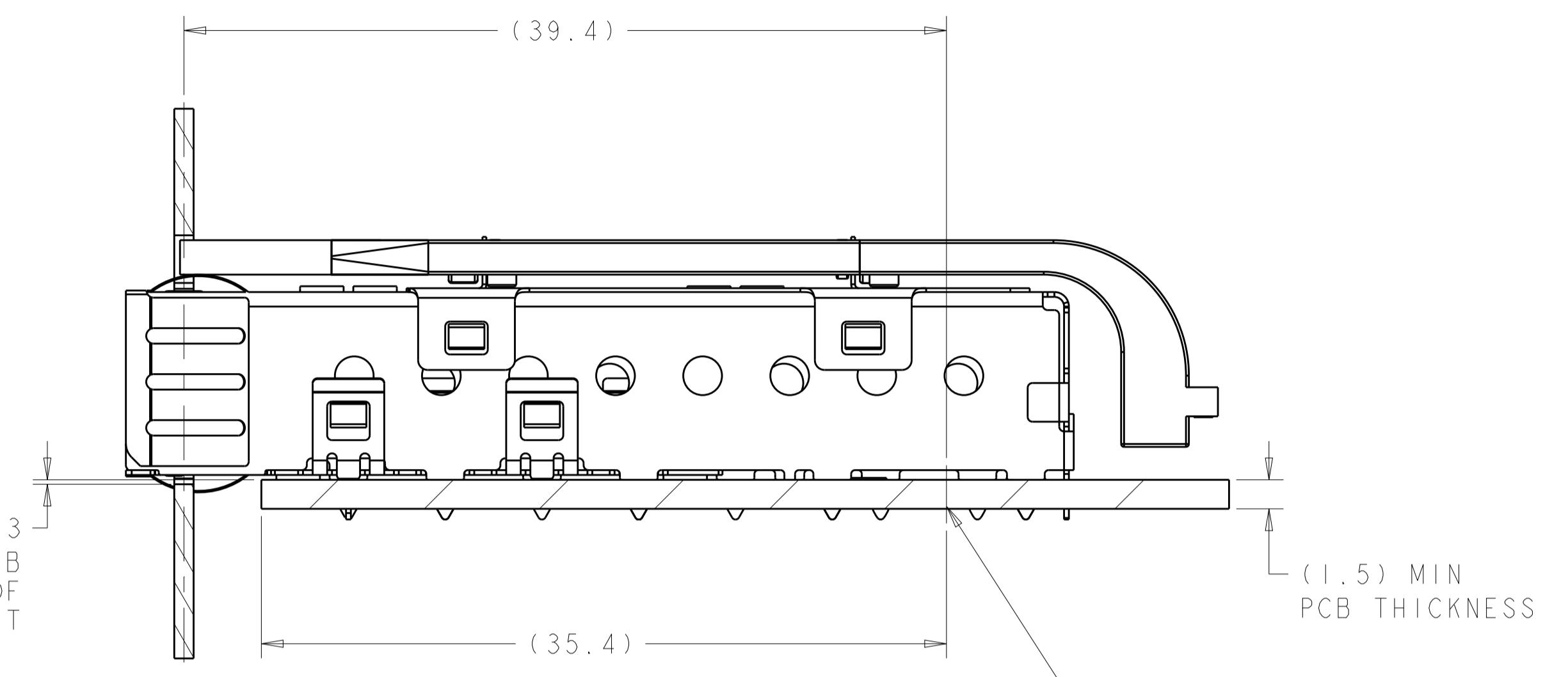
THIS DRAWING IS A CONTROLLED DOCUMENT.		DWN: C. ROHLER 03JUN2009	TE Connectivity
DIMENSIONS: mm		CHK: M. SCHMITT 03JUN2009	
TOLERANCES UNLESS OTHERWISE SPECIFIED:		APVD: B. WERTZ 03JUN2009	
0 PLC ±0.1 1 PLC ±0.1 2 PLC ±0.1 3 PLC ±0.1 4 PLC ±0.1 ANGLES ±1°		NAME: SFP+ 1X6 CAGE ASSEMBLY PRODUCT SPEC: 108-2364 APPLICATION SPEC: 114-13120 WEIGHT: - SIZE: A1 CAGE CODE: - DRAWING NO: 2110742 RESTRICTED TO: - SCALE: 2:1 SHEET 1 OF 4 REV A	
MATERIAL: △		Customer Drawing	

GP 00

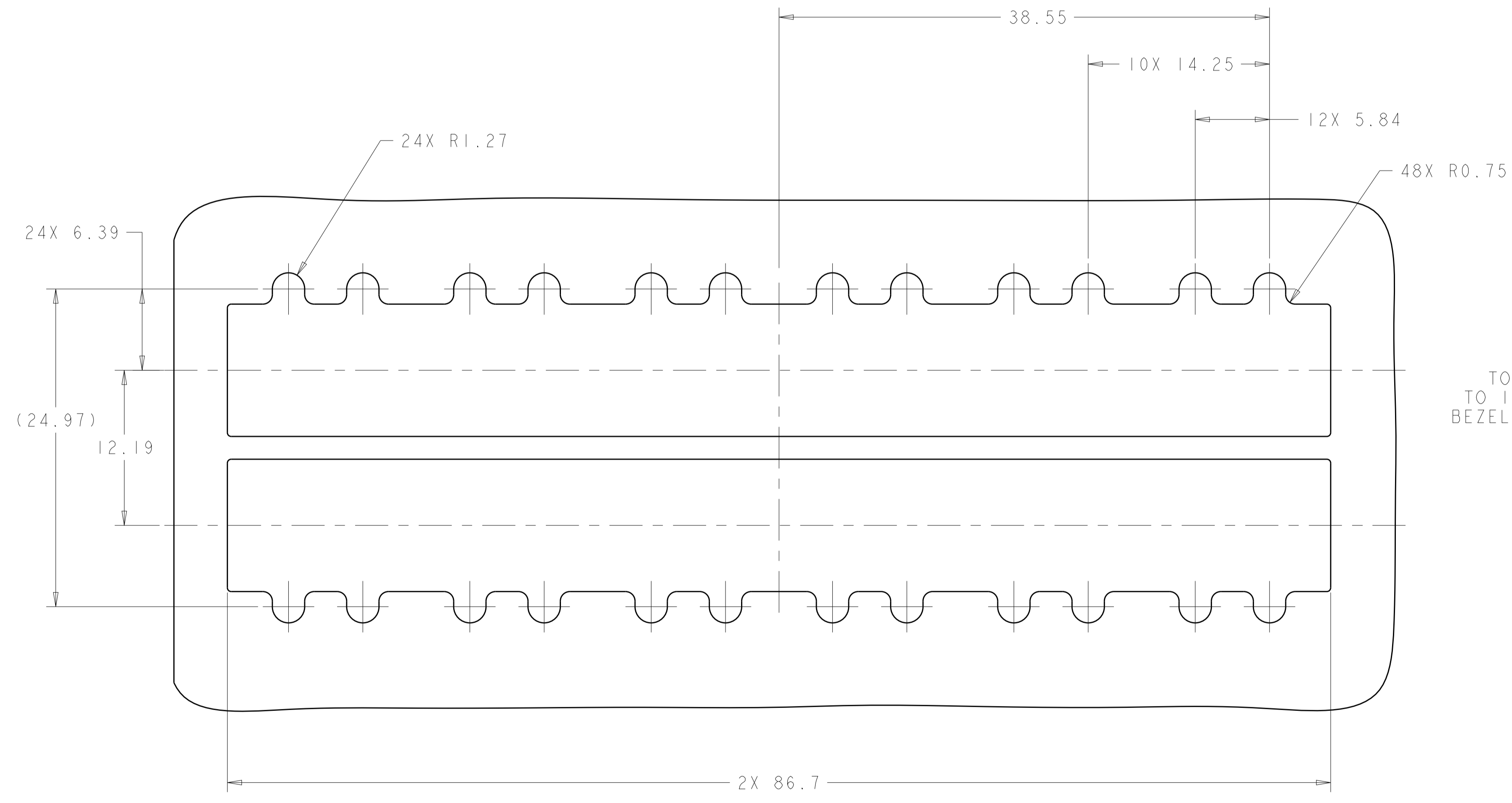
REVISIONS				
REV	DATE	DESCRIPTION	BY	APPV
-	-	SEE SHEET 1	-	-



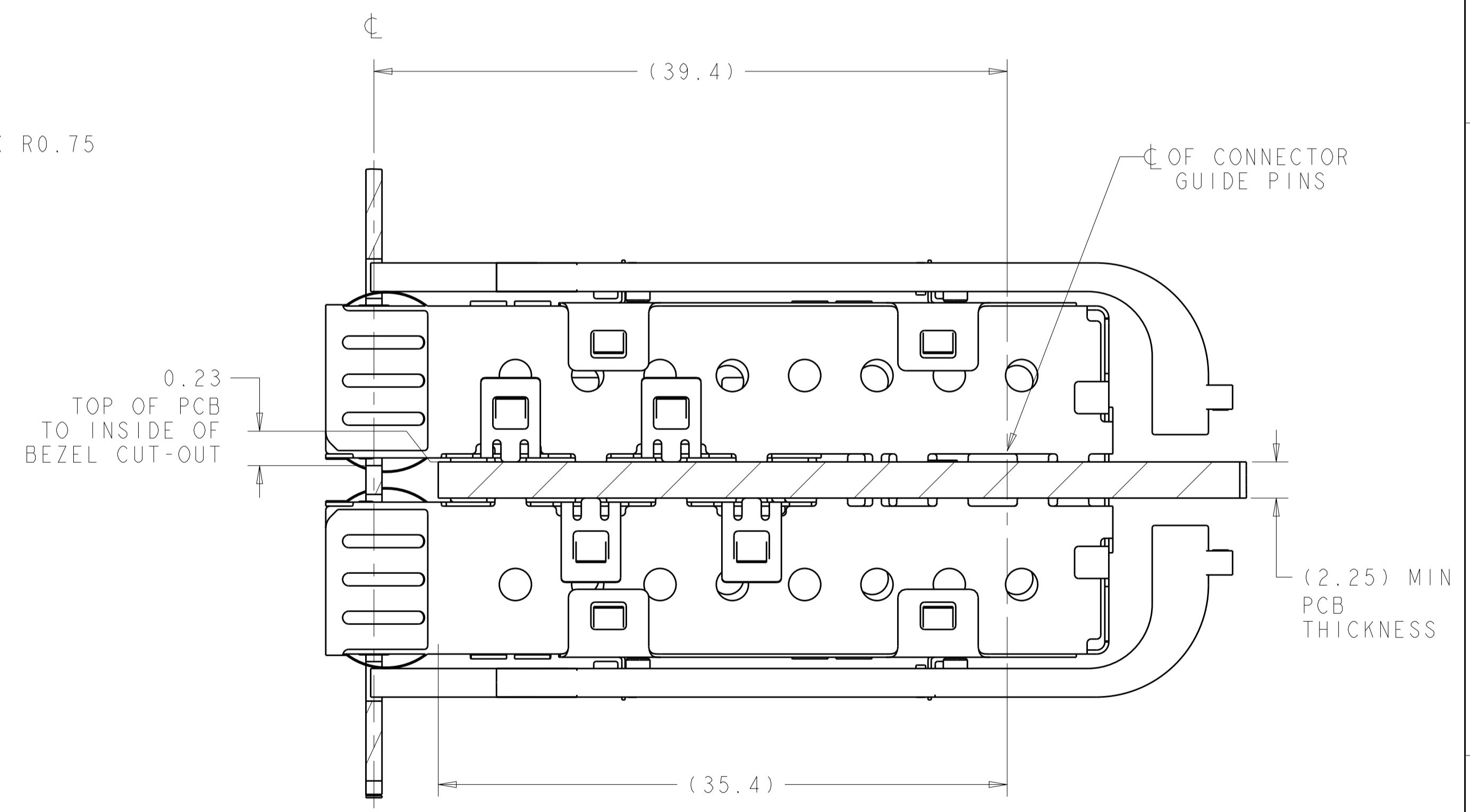
RECOMMENDED BEZEL CUT-OUT
SINGLE SIDED APPLICATIONS
SCALE 2:1



2110742-1
MOUNTED ON PC BOARD
SHOWN THRU RECOMMENDED BEZEL



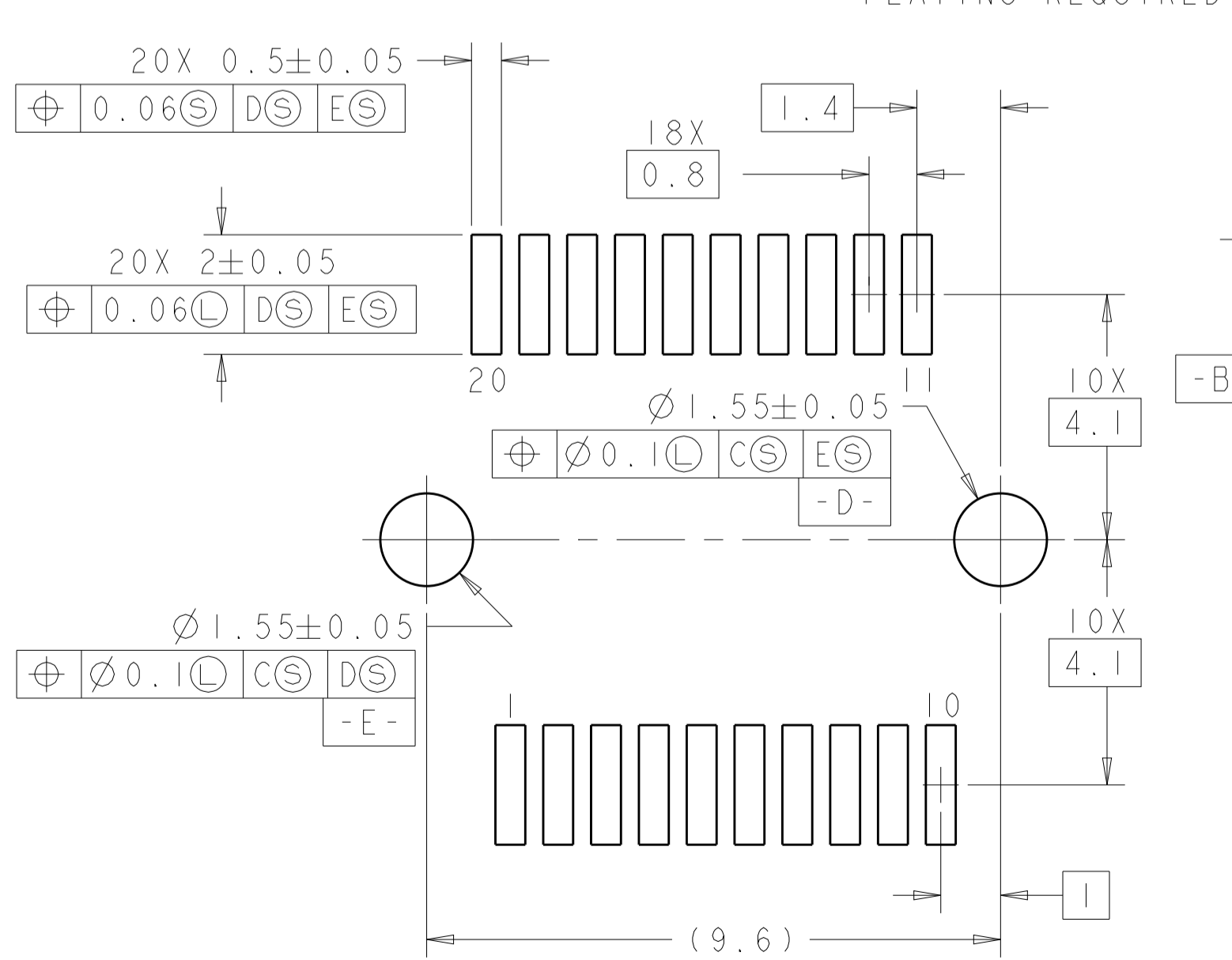
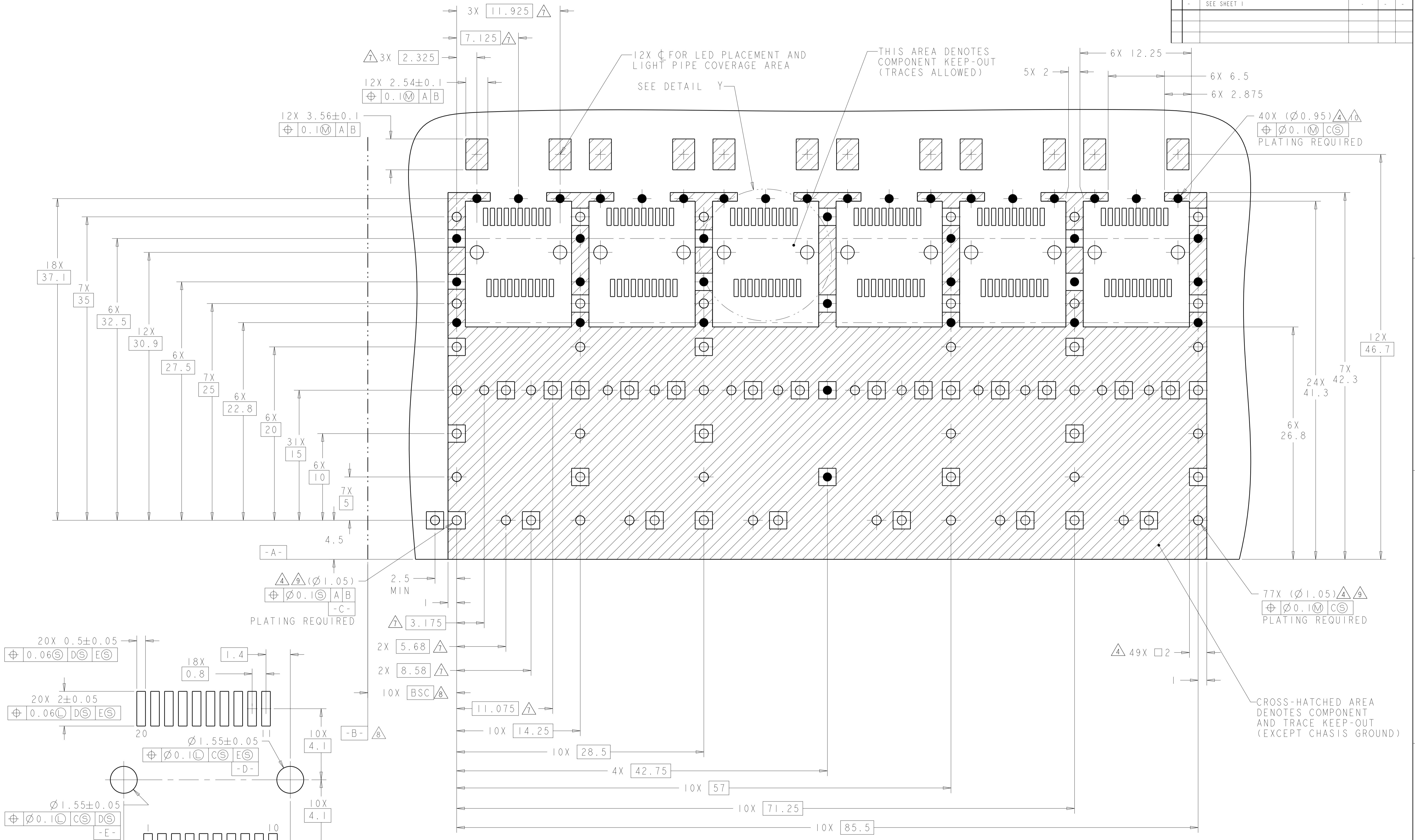
RECOMMENDED BEZEL CUT-OUT
BELLY TO BELLY APPLICATIONS



2110742-1
MOUNTED BELLY TO BELLY ON PC BOARD
SHOWN THRU RECOMMENDED BEZEL

THIS DRAWING IS A CONTROLLED DOCUMENT.		OWN: C. ROHLER 03JUN2009	TE Connectivity
DIMENSIONS: mm		CHK: M. SCHMITT 03JUN2009	
TOLERANCES UNLESS OTHERWISE SPECIFIED:		APV: B. WERTZ 03JUN2009	NAME: SFP+ 1X6 CAGE ASSEMBLY
0 PLC	±0.1	PRODUCT SPEC	PRESS FIT, EXTERNAL EMI SPRINGS
1 PLC	±0.1	APPLICATION SPEC	WITH LOW PROFILE LIGHT PIPES
2 PLC	±0.1	SIZE: 114-13120	RESTRICTED TO
3 PLC	±0.1	WEIGHT: -	A1
4 PLC	±0.1	Customer Drawing	SCALE: 4:1 SHEET 2 OF 4 REV A
ANGLES	±1°		
FINISH			

REVISIONS				
REV	DATE	DESCRIPTION	BY	APP'D
GP 00	-	SEE SHEET 1	-	-



DETAIL Y
RECOMMENDED PT CONNECTOR LAYOUT
12X INDIVIDUALLY
SCALE 10:1

RECOMMENDED PC BOARD CONFIGURATION
WITH KEEP-OUT AREAS
BELLY TO BELLY APPLICATIONS
SCALE 5:1

THIS DRAWING IS A CONTROLLED DOCUMENT.		OWN: C. ROHLER 03JUN2009	TE Connectivity
DIMENSIONS: mm		CHK: M. SCHMITT 03JUN2009	
TOLERANCES UNLESS OTHERWISE SPECIFIED:		APVD: B. WERTZ 03JUN2009	NAME: SFP+ 1X6 CAGE ASSEMBLY
0 PLC ±0.1		PRODUCT SPEC: 108-2364	PRESS FIT, EXTERNAL EMI SPRINGS
1 PLC ±0.1		APPLICATION SPEC: 114-13120	WITH LOW PROFILE LIGHT PIPES
2 PLC ±0.1		WEIGHT: -	SIZE: A1
3 PLC ±0.1		RESTRICTED TO: -	CAGE CODE: C=2110742
4 PLC ±0.1		Customer Drawing	SCALE: 2:1
ANGLES ±0.1			SHEET: 4 OF 4
FINISH: ±1*°			REV: A