

Main

| | |
|---------------------------|--------------------------------------|
| Range of Product | Harmony STO & STU |
| Product or Component Type | Touch panel screen |
| Software Designation | EcoStruxure Operator Terminal Expert |
| Operating System | Harmony |

Complementary

| | |
|----------------------------|---|
| Display size | 4.3 inch |
| Display Type | Colour TFT LCD |
| Display colour | 65536 colours |
| Display Resolution | 480 x 272 pixels |
| Touch panel | Analogue |
| Backlight lifespan | 50000 hours white |
| Brightness | 16 levels via touch panel |
| Character font | Chinese (simplified Chinese) Japanese (ANK, Kanji) ASCII (European characters) Taiwanese (traditional Chinese) Korean Cyrillic |
| [Us] rated supply voltage | 12...24 V DC - 10...20 % |
| Power consumption in W | 7.5 W |
| Number of pages | 8999 |
| Memory description | Back up of data 512 kB Application memory 26 MB |
| Integrated connection type | 1 USB 2.0 type mini B 1 USB 2.0 type A 1 serial link - RJ45 - RS232C/RS485 2400...115200 bps) |
| Supply | External source |
| Realtime clock | With RTC-battery set optional |
| Downloadable protocols | Third party protocols Modbus |
| Range Compatibility | Mitsubishi Omron Siemens Allen-Bradley |
| Fixing mode | By 2 installation fasteners 1.5 to 6 mm thick panel |
| Enclosure Material | PPT |
| Front material | Plastic |
| Cut-out dimensions | 77.5 x 112.5 mm 66 x 105 mm with mounting adaptor |
| Net Weight | 0.49 lb(US) (0.22 kg) |

Environment

| | |
|---------------------------------------|---|
| Standards | ANSI/ISA 12.12.01 CSA C22.2 No 142 UL 61010-2-201 EN 61000-6-2 CSA C22.2 No 213 EN 61000-6-4 UL 61010-1 EN 61131-2 |
| Product Certifications | UL C-tick KCC CE CUL ATEX zone 2/22 |
| Ambient Air Temperature for Operation | 32...122 °F (0...50 °C) |
| Ambient Air Temperature for Storage | -4...140 °F (-20...60 °C) |
| Relative humidity | 10...90 % without condensation |
| Operating altitude | 6561.68 ft (2000 m) |
| IP degree of protection | IP65f front panel) IP20 rear panel) |
| NEMA degree of protection | NEMA 4X/13 front panel indoor use) |
| Shock resistance | 15 gn 11 ms IEC 61131-2 |
| Vibration resistance | 1 gn 5...150 Hz) IEC 61131-2 3.5 mm constant amplitude 5...150 Hz) IEC 61131-2 |
| Electromagnetic compatibility | Resistance to radiated electromagnetic fields 10 V/m 80 MHz...2.7 GHz) Resistance to electrostatic discharge 8 kV air discharge)level 3 EN 61000-4-2 Resistance to electrostatic discharge 6 kV direct contact)level 3 EN 61000-4-2 |

Ordering and shipping details

| | |
|-----------------------|----------------------------------|
| Category | 22569-MAGELIS XBT-GT (AND XBT-G) |
| Discount Schedule | MC2 |
| GTIN | 3606480920905 |
| Nbr. of units in pkg. | 1 |
| Package weight(Lbs) | 18.52 oz (525.0 g) |
| Returnability | Yes |
| Country of origin | CN |

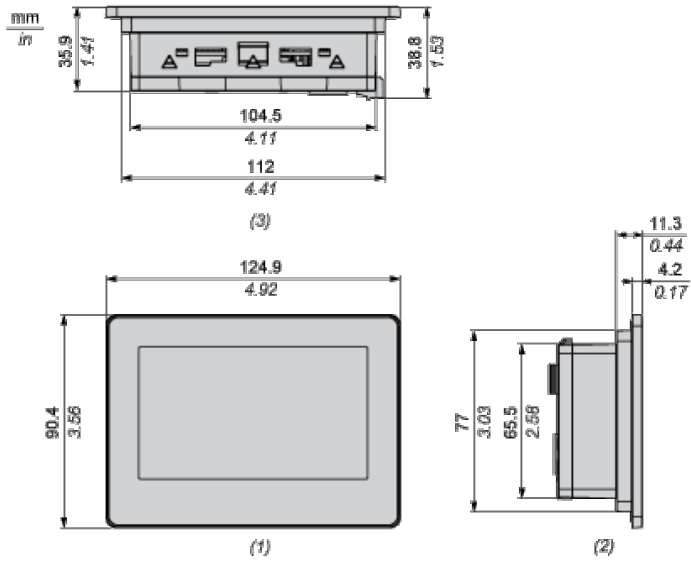
Packing Units

| | |
|------------------------------|-------------------------|
| Unit Type of Package 1 | PCE |
| Package 1 Height | 5.20 in (13.2 cm) |
| Package 1 width | 3.07 in (7.8 cm) |
| Package 1 Length | 7.17 in (18.2 cm) |
| Unit Type of Package 2 | S03 |
| Number of Units in Package 2 | 12 |
| Package 2 Weight | 249.03 oz (7060.0 g) |
| Package 2 Height | 11.81 in (30 cm) |
| Package 2 width | 11.81 in (30 cm) |
| Package 2 Length | 15.75 in (40 cm) |
| Unit Type of Package 3 | P12 |
| Number of Units in Package 3 | 288 |
| Package 3 Weight | 6294.18 oz (178440.0 g) |
| Package 3 Height | 31.50 in (80 cm) |
| Package 3 width | 47.24 in (120 cm) |
| Package 3 Length | 43.31 in (110 cm) |

Offer Sustainability

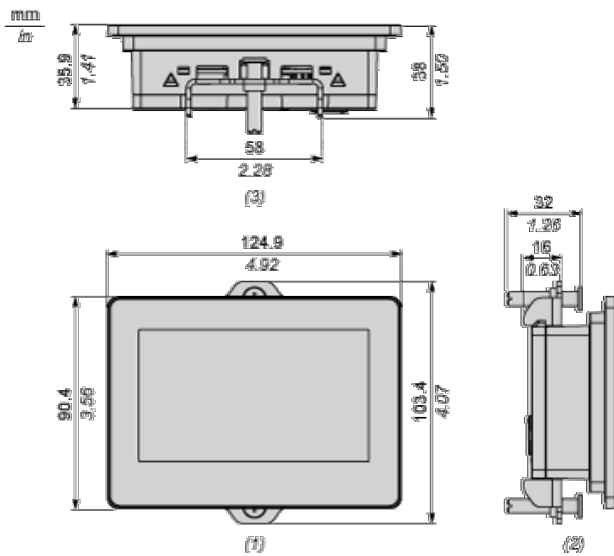
| | |
|----------------------------|---|
| Sustainable offer status | Green Premium product |
| California proposition 65 | WARNING: This product can expose you to chemicals including: Lead and lead compounds, which is known to the State of California to cause cancer and birth defects or other reproductive harm. For more information go to www.P65Warnings.ca.gov |
| REACH Regulation | REACH Declaration |
| EU RoHS Directive | Pro-active compliance (Product out of EU RoHS legal scope) EU RoHS Declaration |
| Mercury free | Yes |
| RoHS exemption information | Yes |
| China RoHS Regulation | China RoHS Declaration |
| Environmental Disclosure | Product Environmental Profile |
| Circularity Profile | End Of Life Information |
| WEEE | The product must be disposed on European Union markets following specific waste collection and never end up in rubbish bins. |

External Dimensions



- 1 Front
- 2 Left
- 3 Bottom

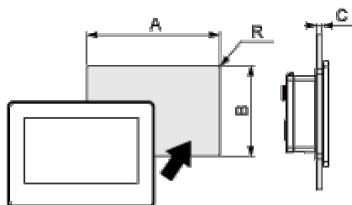
Dimensions with Installation Fasteners



- 1 Front
- 2 Left
- 3 Bottom

Mounting

Panel Cut-out Dimensions



Dimensions in mm

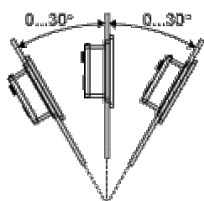
| Description | A | B | C | R |
|-----------------|-------|------|---------|--------|
| Without adapter | 112.5 | 77.5 | 1.5...6 | 3 max. |
| With adapter | 105 | 66 | 1.5...6 | 3 max. |

Dimensions in in.

| Description | A | B | C | R |
|-----------------|------|------|-------------|-----------|
| Without adapter | 4.43 | 3.05 | 0.06...0.24 | 0.12 max. |
| With adapter | 4.13 | 2.6 | 0.06...0.24 | 0.12 max. |

Installation Requirements

Mounting Angle



When installing this product in a slanted position with an incline more than 30°, the ambient temperature must not exceed 40 °C (104 °F). You may need to use forced air cooling (fan, A/C) to ensure the ambient operating temperature is 40 °C or less (104 °F or less).

Clearance

